



Chipsmall Limited consists of a professional team with an average of over 10 year of expertise in the distribution of electronic components. Based in Hongkong, we have already established firm and mutual-benefit business relationships with customers from,Europe,America and south Asia,supplying obsolete and hard-to-find components to meet their specific needs.

With the principle of "Quality Parts,Customers Priority,Honest Operation,and Considerate Service",our business mainly focus on the distribution of electronic components. Line cards we deal with include Microchip,ALPS,ROHM,Xilinx,Pulse,ON,Everlight and Freescale. Main products comprise IC,Modules,Potentiometer,IC Socket,Relay,Connector.Our parts cover such applications as commercial,industrial, and automotives areas.

We are looking forward to setting up business relationship with you and hope to provide you with the best service and solution. Let us make a better world for our industry!



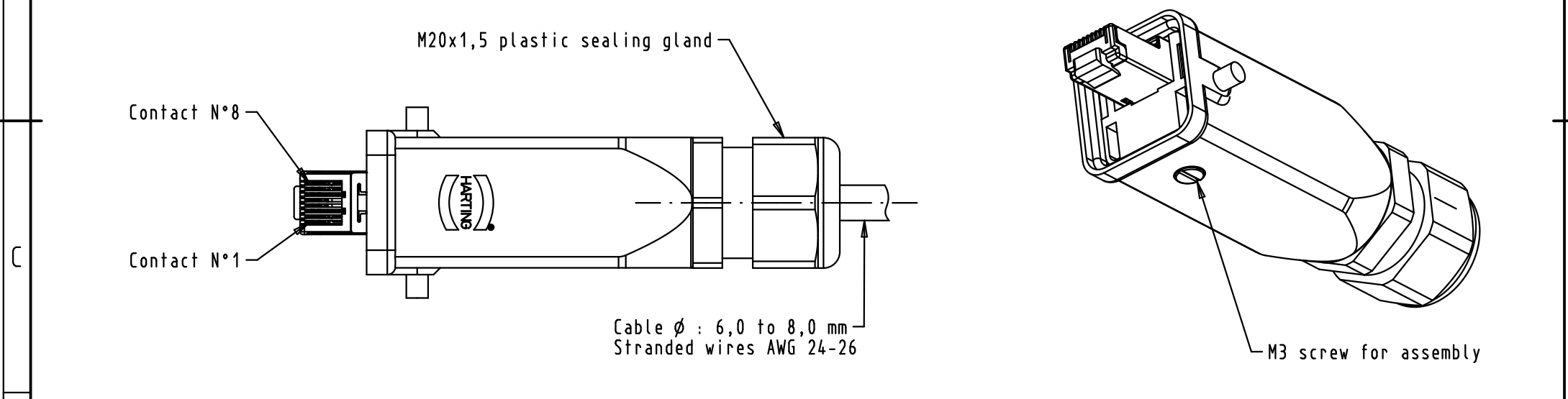
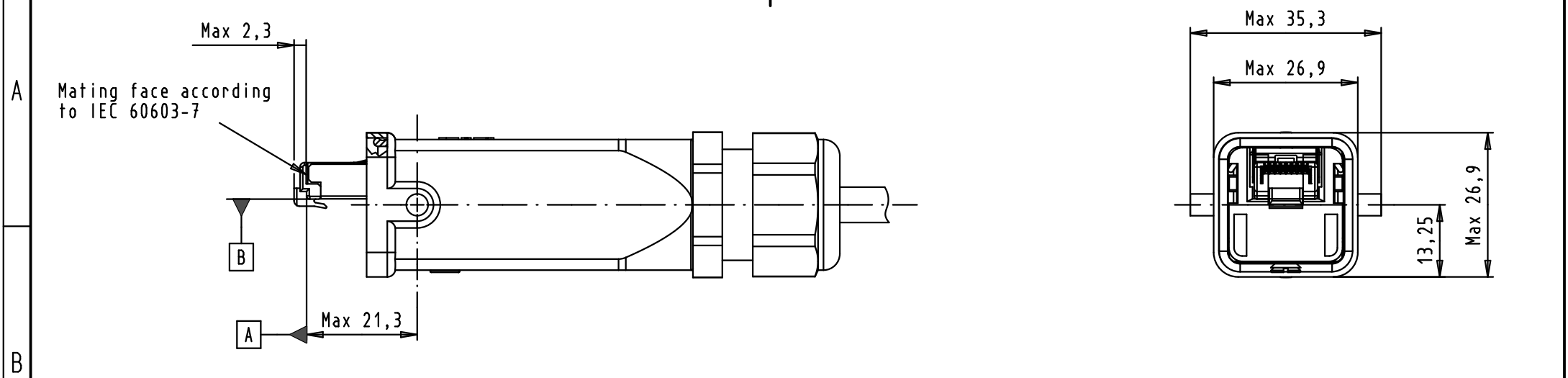
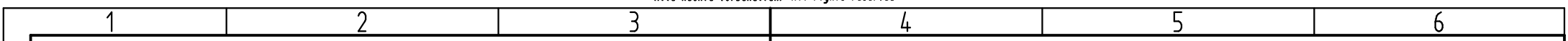
Contact us

Tel: +86-755-8981 8866 Fax: +86-755-8427 6832

Email & Skype: info@chipsmall.com Web: www.chipsmall.com

Address: A1208, Overseas Decoration Building, #122 Zhenhua RD., Futian, Shenzhen, China





D	Data contacts plating: Au 1,27µm over Nickel																	
	09 45 125 1510	Data connector with blue wires manager	34903	27/03/08	PK	HARTING EURL F-95972 Paris		TB 09 45 125 15X0	Sub.	Blatt/ Page 1 / 1								
	09 45 125 1500	Data connector with white wires manager	34761	07/10/07	BD													
	Part number	Wires manager colour	Mod.	Dat.	Name													



All Dim. in mm
Orig. Size DIN A 4

RJ INDUSTRIAL
IP67 thermoplastic
HAN 3A plug with
8 data contacts

Maßstab/
Scale
1:1