



Chipsmall Limited consists of a professional team with an average of over 10 year of expertise in the distribution of electronic components. Based in Hongkong, we have already established firm and mutual-benefit business relationships with customers from,Europe,America and south Asia,supplying obsolete and hard-to-find components to meet their specific needs.

With the principle of “Quality Parts,Customers Priority,Honest Operation,and Considerate Service”,our business mainly focus on the distribution of electronic components. Line cards we deal with include Microchip,ALPS,ROHM,Xilinx,Pulse,ON,Everlight and Freescale. Main products comprise IC,Modules,Potentiometer,IC Socket,Relay,Connector.Our parts cover such applications as commercial,industrial, and automotives areas.

We are looking forward to setting up business relationship with you and hope to provide you with the best service and solution. Let us make a better world for our industry!



Contact us

Tel: +86-755-8981 8866 Fax: +86-755-8427 6832

Email & Skype: info@chipsmall.com Web: www.chipsmall.com

Address: A1208, Overseas Decoration Building, #122 Zhenhua RD., Futian, Shenzhen, China



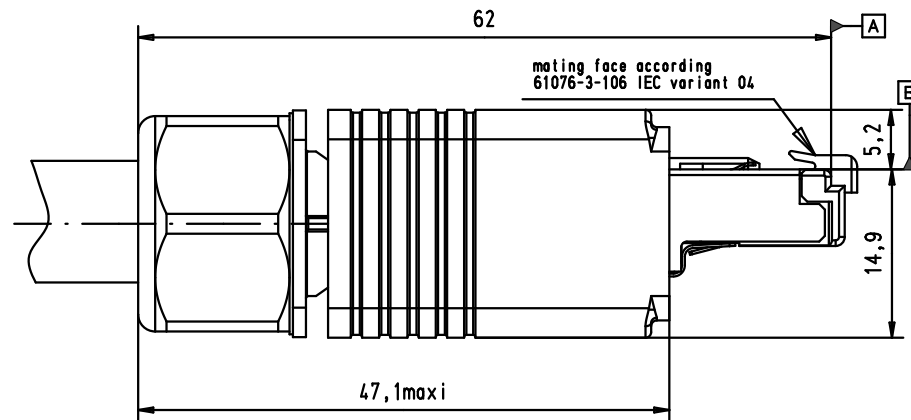
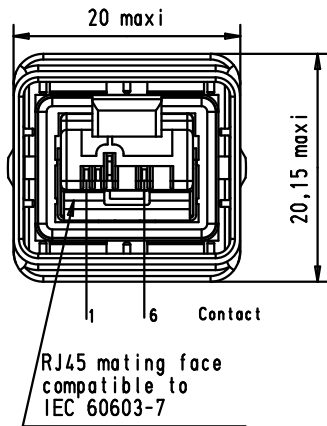
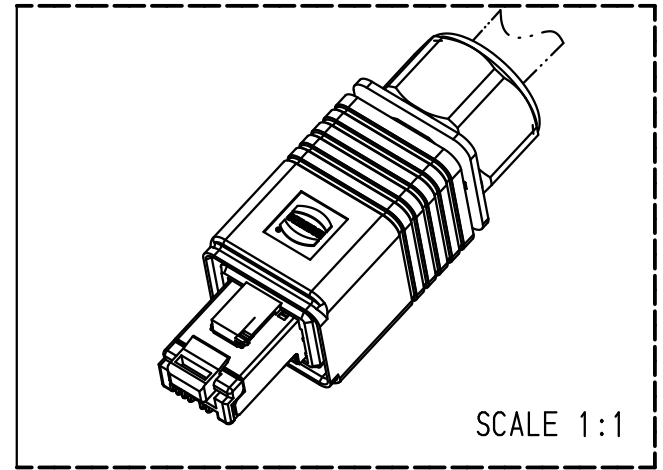
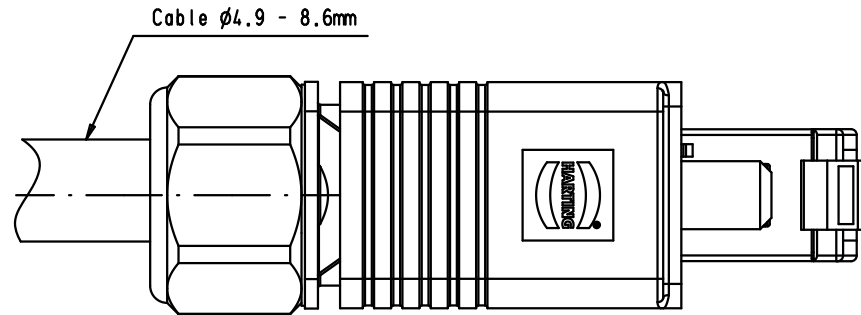
5

4

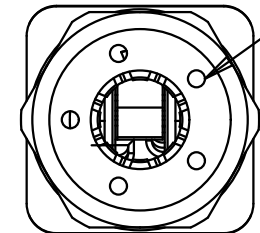
3

2

1

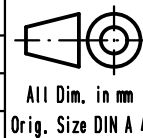


On request: color coding ring for nut
TB 09 45 840 001X



Cable diameter : 4.9 to 8.6 mm
AWG 22 to AWG 23 Solid &
AWG 22 to AWG 24 Stranded
With wires O.D max. 1.6mm.

| | | | | Dat. | Name |
|-------|-----------|------|-------------------------------|-----------|------|
| 36298 | 09/05/12 | SD | Detail. | 10-Oct-02 | JFB |
| 36311 | 12/09/11 | SM | Insp. | 13/09/11 | JMV |
| 33265 | 15/11/05 | AM | Stand. | | |
| 31554 | 08-Oct-03 | JFB | HARTING EURL F-95972 Paris | | |
| 31394 | 18-fec-03 | PP | | | |
| Mod. | Dat. | Name | | | |



HARTING PushPull
RJ45 connector, 4 poles,
Plastic version
(IDC-connection)

Maßstab/
Scale
1.5:1

09 45 145 1100

Au: 1.27 μm over nickel

Part Number

Data contact plating

Mod.

Dat.

Name

HARTING EURL
F-95972 Paris



TB 09 45 145 1100

Sub. RP 090182-27-0X

Blatt/ Page
1 / 1