



Chipsmall Limited consists of a professional team with an average of over 10 year of expertise in the distribution of electronic components. Based in Hongkong, we have already established firm and mutual-benefit business relationships with customers from,Europe,America and south Asia,supplying obsolete and hard-to-find components to meet their specific needs.

With the principle of "Quality Parts,Customers Priority,Honest Operation,and Considerate Service",our business mainly focus on the distribution of electronic components. Line cards we deal with include Microchip,ALPS,ROHM,Xilinx,Pulse,ON,Everlight and Freescale. Main products comprise IC,Modules,Potentiometer,IC Socket,Relay,Connector.Our parts cover such applications as commercial,industrial, and automotives areas.

We are looking forward to setting up business relationship with you and hope to provide you with the best service and solution. Let us make a better world for our industry!



Contact us

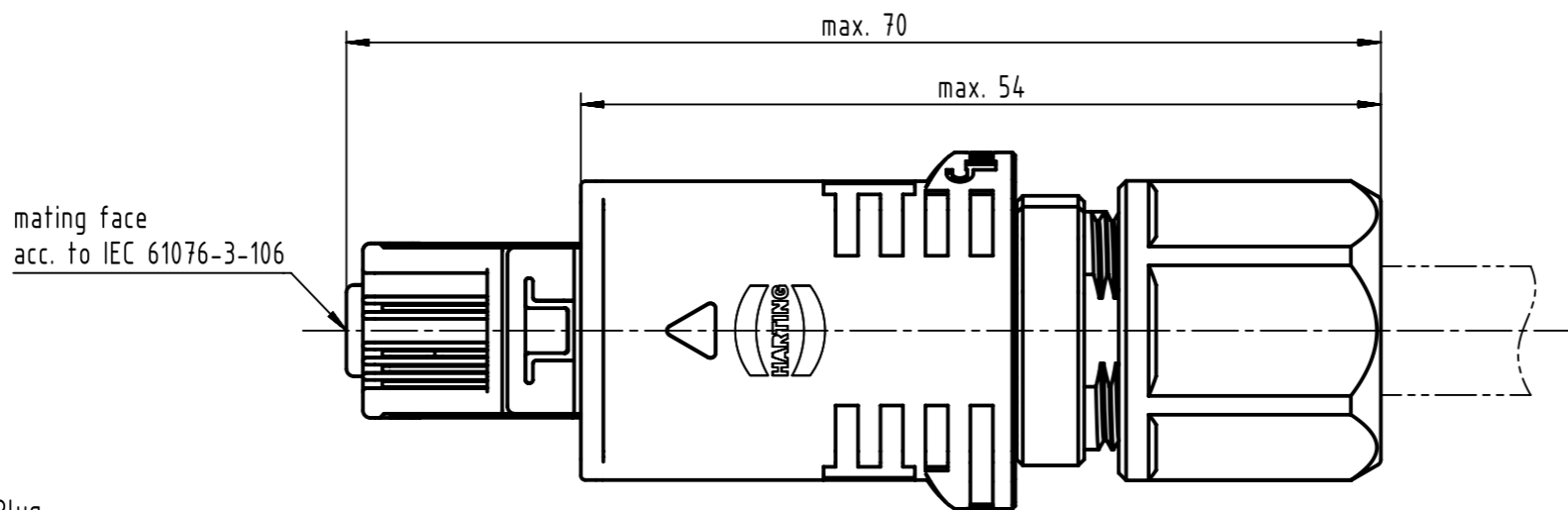
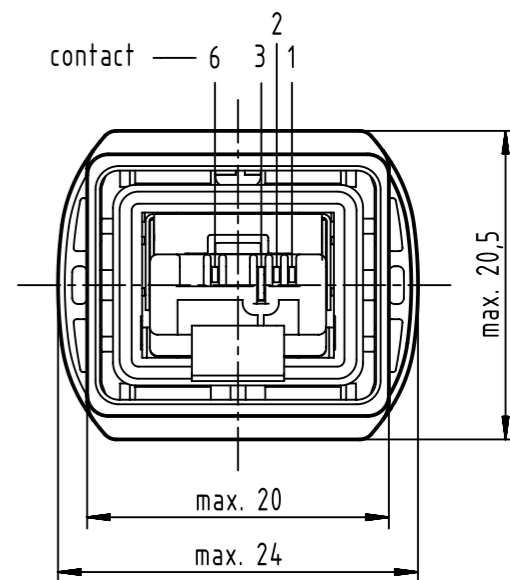
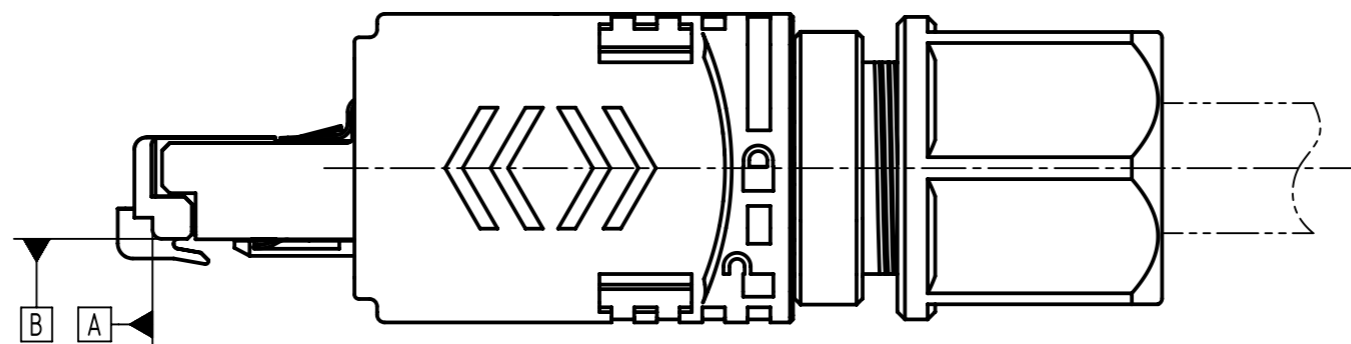
Tel: +86-755-8981 8866 Fax: +86-755-8427 6832

Email & Skype: info@chipsmall.com Web: www.chipsmall.com

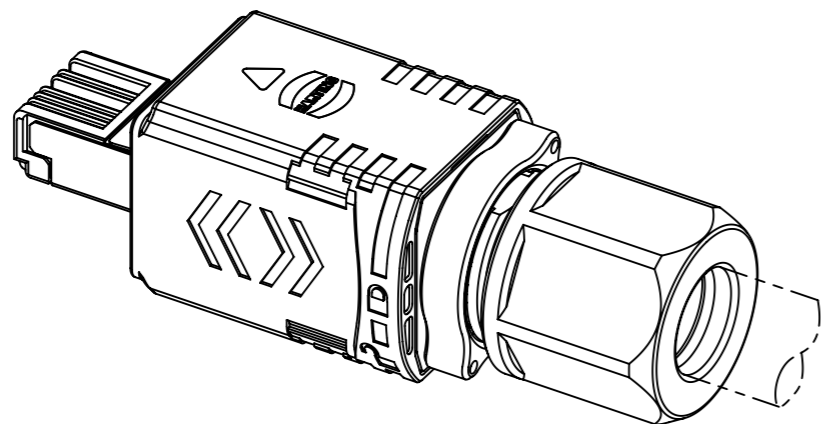
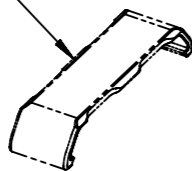
Address: A1208, Overseas Decoration Building, #122 Zhenhua RD., Futian, Shenzhen, China




PushPull V4 Plug and RJ45, not assembled



Coding Clip for Plug
see TB 0945840000X
please order separately



further information see DS 09455100600

	All Dimensions in mm Original Size DIN A3	Scale 2:1	Free size tol.		Ref.	
	All rights reserved Department EC PD - DE	Created by HASELOH	Inspected by LUECKEMEIERM	Standardisation HOFFMANN	Date 2017-04-04	State Final Release
Title HARTING PushPull V4 Plug, RJ45, Cat.5, IDC,4-pole					Doc-Key / ECM-Nr. 100657688/UGD/000/D 500000117442	
HARTING Electronics GmbH D-32339 Espelkamp		Type TB	Number 09451451106		Rev. D	Page 1/1