

Chipsmall Limited consists of a professional team with an average of over 10 year of expertise in the distribution of electronic components. Based in Hongkong, we have already established firm and mutual-benefit business relationships with customers from,Europe,America and south Asia,supplying obsolete and hard-to-find components to meet their specific needs.

With the principle of “Quality Parts,Customers Priority,Honest Operation,and Considerate Service”,our business mainly focus on the distribution of electronic components. Line cards we deal with include Microchip,ALPS,ROHM,Xilinx,Pulse,ON,Everlight and Freescale. Main products comprise IC,Modules,Potentiometer,IC Socket,Relay,Connector.Our parts cover such applications as commercial,industrial, and automotives areas.

We are looking forward to setting up business relationship with you and hope to provide you with the best service and solution. Let us make a better world for our industry!

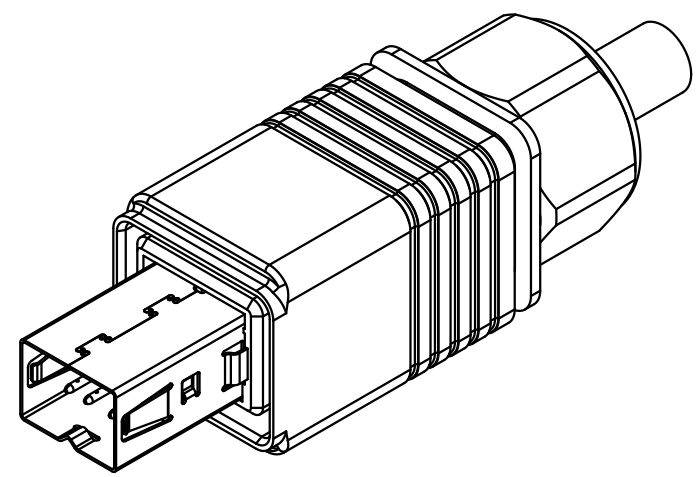
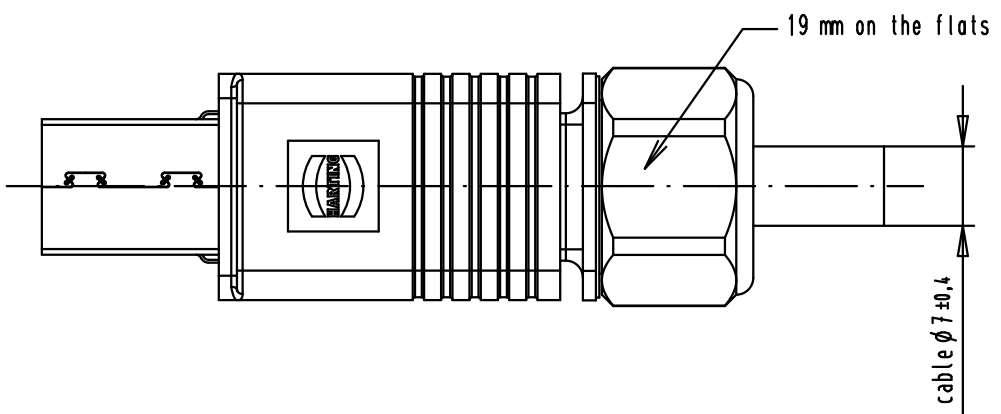
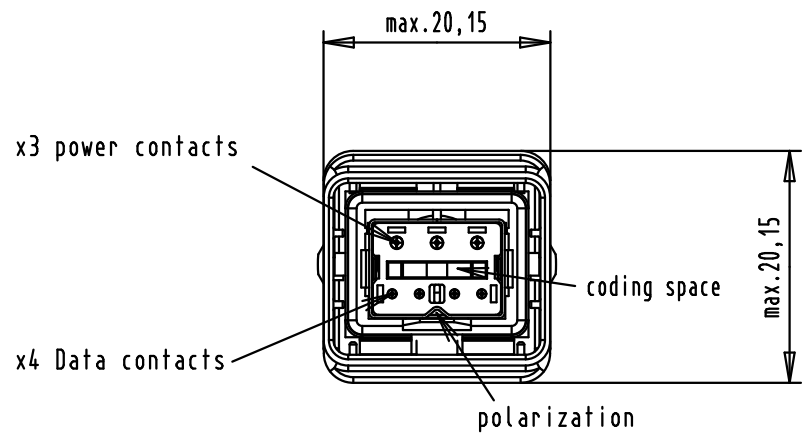
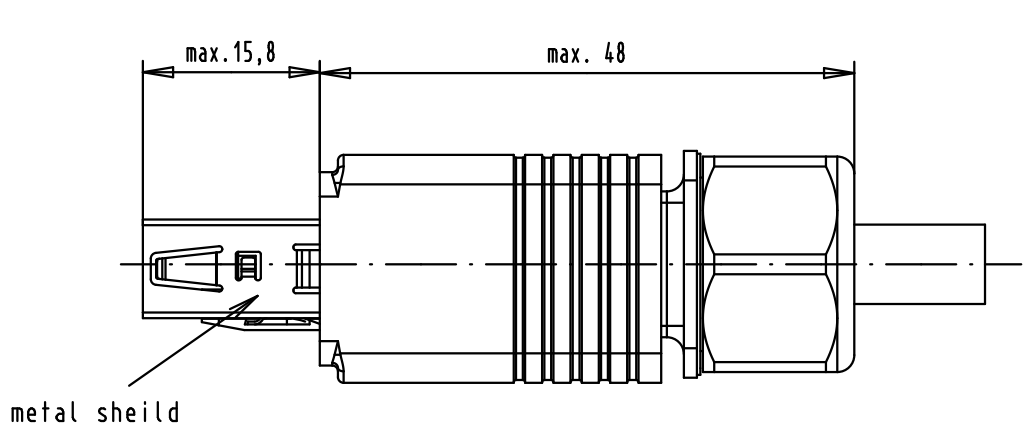
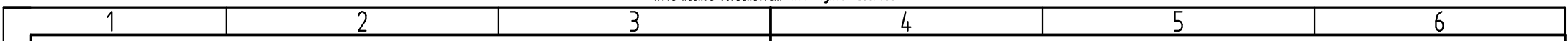


Contact us

Tel: +86-755-8981 8866 Fax: +86-755-8427 6832

Email & Skype: info@chipsmall.com Web: www.chipsmall.com

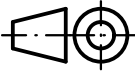

Address: A1208, Overseas Decoration Building, #122 Zhenhua RD., Futian, Shenzhen, China



x3 Stamped power crimp contact : for stranded wire AWG 20-24 with \emptyset maxi.1.52 mm.
 x4 Stamped data crimp contact : for stranded wire AWG 24-26 with \emptyset maxi.1.38 mm.
 Plating : mini. Au 0.76 μ m over nickel.

Set of codings keys.

Set of sealing glands:
 for 4.9 to 6.1 mm \emptyset cables
 for 6.1 to 7.3 mm \emptyset cables
 for 7.3 to 8.4 mm \emptyset cables

			Dot.	Name	 All Dim. in mm Orig. Size DIN A 3	han IP67 Push-Pull Plug Shielded hybrid module , with 3 stamped Power contacts and 4 data contacts.	Maßstab/ Scale 1.5	
		Detail.	15-01-06	JFB				
		Insp.						
		Stand.						
34386			HARTING EURL F-95972 Paris				TB 09 45 145 1300	Blatt/ Page 1 / 1
Mod.	Dot.	Name					Sub. RP_090234_059	