

Chipsmall Limited consists of a professional team with an average of over 10 year of expertise in the distribution of electronic components. Based in Hongkong, we have already established firm and mutual-benefit business relationships with customers from,Europe,America and south Asia,supplying obsolete and hard-to-find components to meet their specific needs.

With the principle of “Quality Parts,Customers Priority,Honest Operation,and Considerate Service”,our business mainly focus on the distribution of electronic components. Line cards we deal with include Microchip,ALPS,ROHM,Xilinx,Pulse,ON,Everlight and Freescale. Main products comprise IC,Modules,Potentiometer,IC Socket,Relay,Connector.Our parts cover such applications as commercial,industrial, and automotives areas.

We are looking forward to setting up business relationship with you and hope to provide you with the best service and solution. Let us make a better world for our industry!



Contact us

Tel: +86-755-8981 8866 Fax: +86-755-8427 6832

Email & Skype: info@chipsmall.com Web: www.chipsmall.com

Address: A1208, Overseas Decoration Building, #122 Zhenhua RD., Futian, Shenzhen, China

5

4

3

2

1

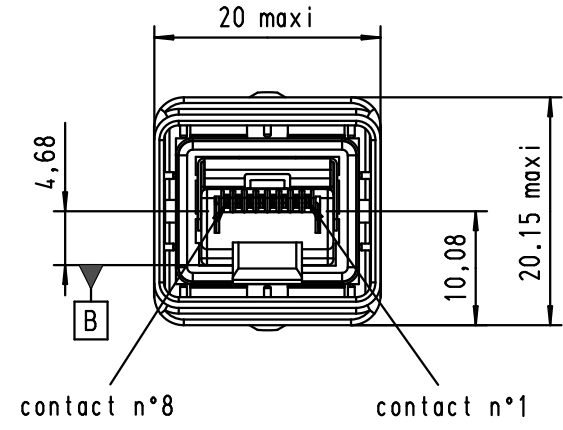
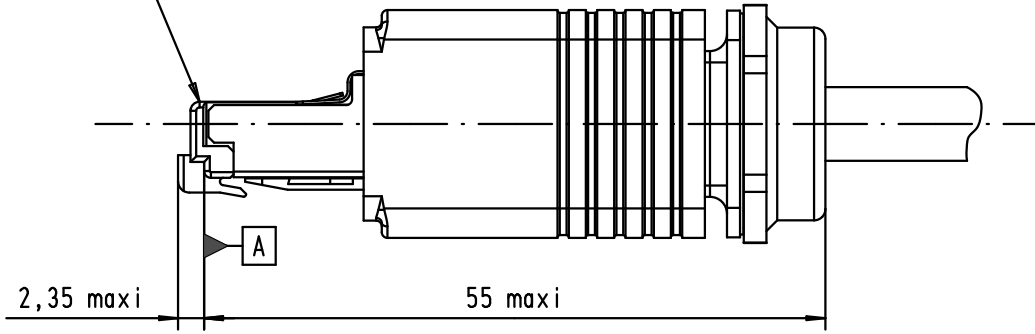
D

C

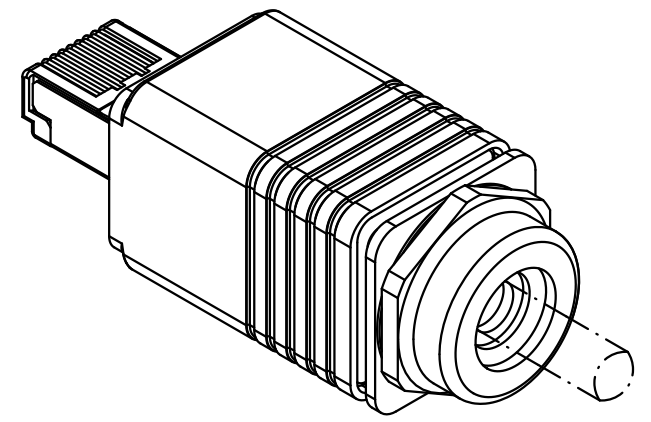
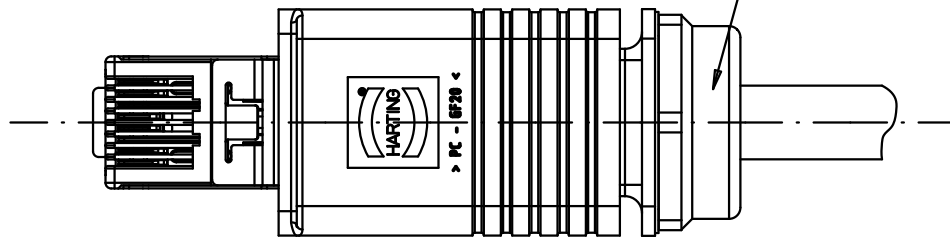
B

A

mating face according to IEC 60603-7



sealing gland, washer and nut PG9

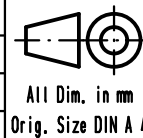


cable diameter: 6,5 to 7,2 mm
Stranded wire AWG 28/7-24/7

Data contact plating: Au 1,27 um over nickel

09 45 145 15 10 Data connector with Blue wires manager
09 45 145 15 00 Data connector with White wires manager

				Dat.	Name
				Detail.	20/05/04 A. Fakhri
EC02093	16-05-11	SD		Insp.	16-05-11 JMDV
35656	16/02/09	AB		Stand.	
35652	12/02/09	AB			
31904	20/05/04	AF			
Mod.	Dat.	Name	HARTING E.U.R.L F-95972 Paris		



RJ-Industrial
HARTING PushPull plastic RJ45
IP65/67 shielded plug cat6
with 8 data contacts

TB 09 45 145 15X0

Sub.

Maßstab/
Scale
1,5:1
Blatt/ Page
1 / 1