



Chipsmall Limited consists of a professional team with an average of over 10 year of expertise in the distribution of electronic components. Based in Hongkong, we have already established firm and mutual-benefit business relationships with customers from,Europe,America and south Asia,supplying obsolete and hard-to-find components to meet their specific needs.

With the principle of “Quality Parts,Customers Priority,Honest Operation,and Considerate Service”,our business mainly focus on the distribution of electronic components. Line cards we deal with include Microchip,ALPS,ROHM,Xilinx,Pulse,ON,Everlight and Freescale. Main products comprise IC,Modules,Potentiometer,IC Socket,Relay,Connector.Our parts cover such applications as commercial,industrial, and automotives areas.

We are looking forward to setting up business relationship with you and hope to provide you with the best service and solution. Let us make a better world for our industry!



Contact us

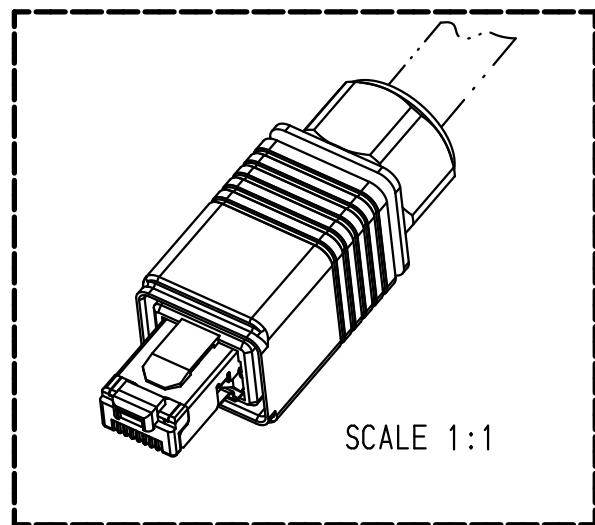
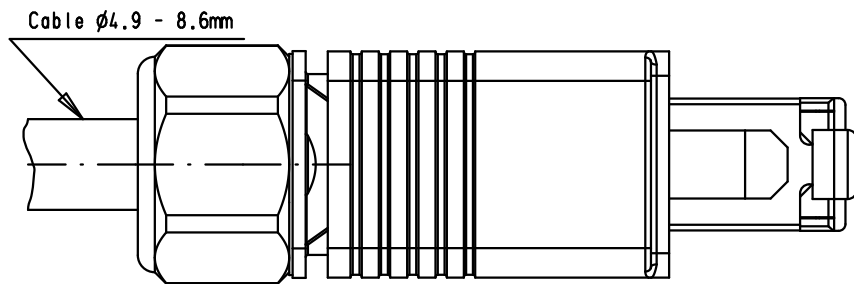
Tel: +86-755-8981 8866 Fax: +86-755-8427 6832

Email & Skype: info@chipsmall.com Web: www.chipsmall.com

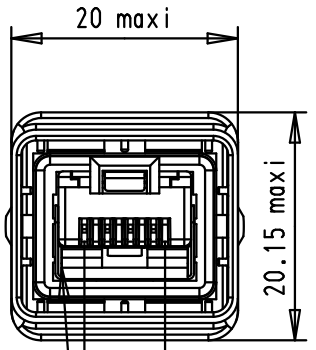
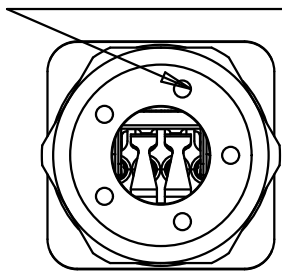
Address: A1208, Overseas Decoration Building, #122 Zhenhua RD., Futian, Shenzhen, China



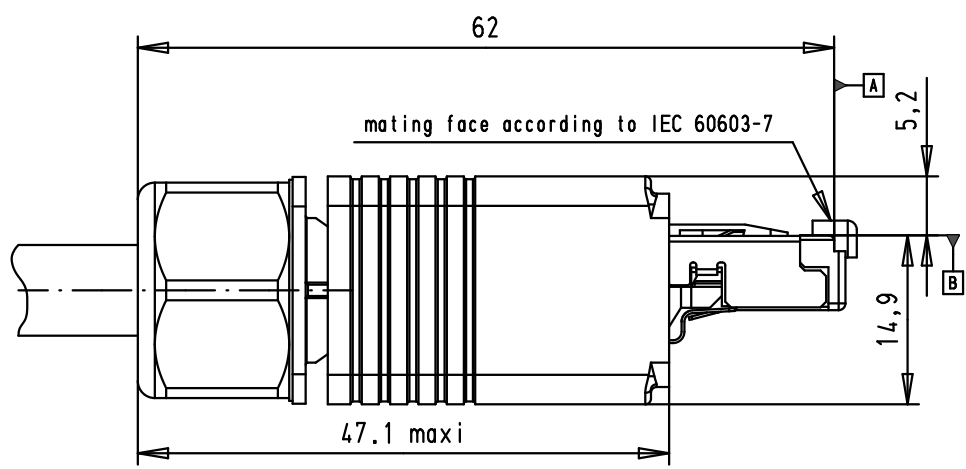
1 2 3 4 5 6



On request: color coding ring for PG9 nut
TB 09 45 840 001X





RJ45 mating face compatible to IEC 60603-7
1 8 Contact



- For solid and stranded conductors AWG 27 up to AWG 22
- Max. wire diameter 1.5mm
- Cable diameter 4.9 - 8.6mm
- Degree of protection IP65/IP67
- Cat.6 performance class EA suitable for 1/10 Gigabit Ethernet
- Temperature range -40°C up to +70°C
- 750 mating cycles

Data contact plating: Au 1.27 μm (50 μm) over nickel

			Dot.	Name	 All Dim. in mm Orig. Size DIN A 4	HARTING PushPull RJ45 10G connector 8 poles Plastic version (IDC connection)	Maßstab/ Scale 1.5:1	
		Detail.	20/10/09	AB				
		Insp.	13/09/11	JMV				
		Stand.						
36311	12/09/11	SM	HARTING EURL F-95972 Paris			TB 09 45 145 1560	Blatt/ Page 1 / 1	
36080	20/10/09	AB	Mod.	Dot.				Name

Sub.