



Chipsmall Limited consists of a professional team with an average of over 10 year of expertise in the distribution of electronic components. Based in Hongkong, we have already established firm and mutual-benefit business relationships with customers from,Europe,America and south Asia,supplying obsolete and hard-to-find components to meet their specific needs.

With the principle of “Quality Parts,Customers Priority,Honest Operation,and Considerate Service”,our business mainly focus on the distribution of electronic components. Line cards we deal with include Microchip,ALPS,ROHM,Xilinx,Pulse,ON,Everlight and Freescale. Main products comprise IC,Modules,Potentiometer,IC Socket,Relay,Connector.Our parts cover such applications as commercial,industrial, and automotives areas.

We are looking forward to setting up business relationship with you and hope to provide you with the best service and solution. Let us make a better world for our industry!



Contact us

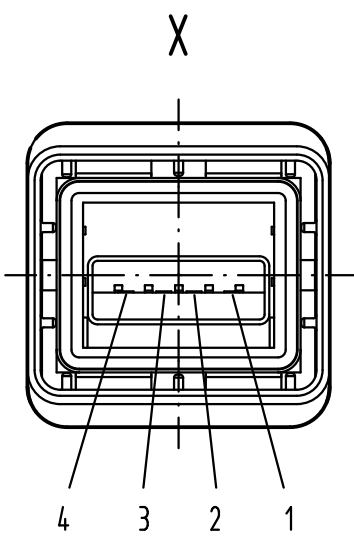
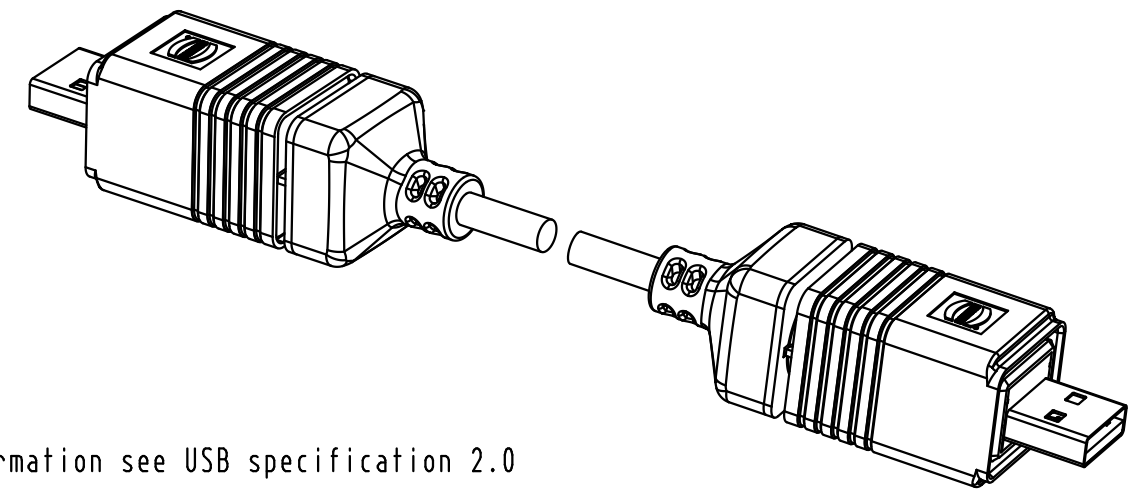
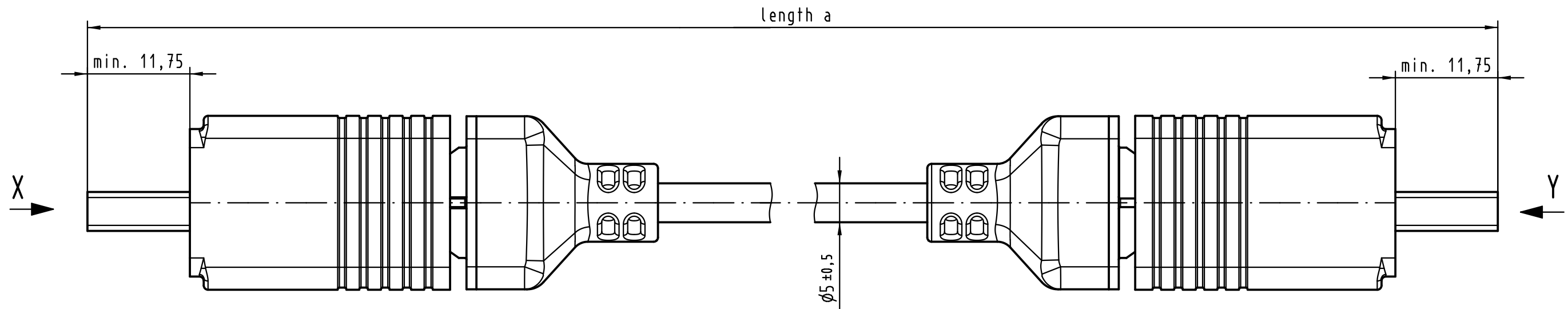
Tel: +86-755-8981 8866 Fax: +86-755-8427 6832

Email & Skype: info@chipsmall.com Web: www.chipsmall.com

Address: A1208, Overseas Decoration Building, #122 Zhenhua RD., Futian, Shenzhen, China

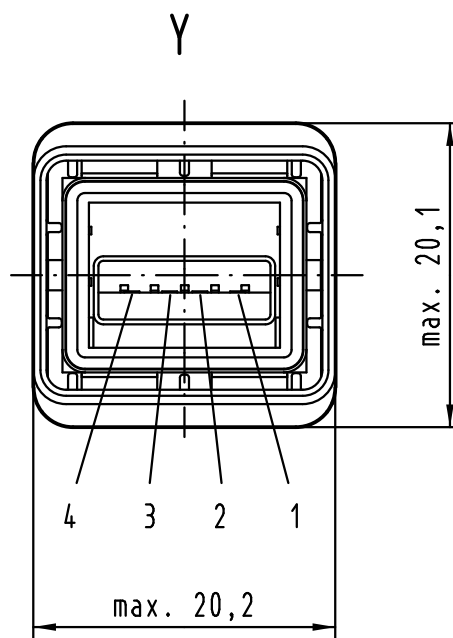


Alle Rechte vorbehalten/ All rights reserved



loading-plan

V Bus	1	1
D-	2	2
D+	3	3
GND	4	4



further information see USB specification 2.0
www.usb.org

no.	part-no.	description	length a [meter]
6	09 45 145 1905	USB 2.0, Type A, PushPull double ended	5,0 m
5	09 45 145 1904	USB 2.0, Type A, PushPull double ended	3,0 m
4	09 45 145 1903	USB 2.0, Type A, PushPull double ended	2,0 m
3	09 45 145 1902	USB 2.0, Type A, PushPull double ended	1,5 m
2	09 45 145 1901	USB 2.0, Type A, PushPull double ended	1,0 m
1	09 45 145 1900	USB 2.0, Type A, PushPull double ended	0,5 m

All Dimensions in mm Original Size DIN A 3	Techn. Character.			Nicht tolerierte Maßel/Free size tolerances	
		Dat.	Name	Maßstab/Scale	
		Detail.	14.02.12	hsv	2:1
		Insp.	14.02.12	Lue.	
	Stand.				
36366	HARTING Electronics GmbH & Co. KG			TB 09 45 145 190x	Blatt/ page
Mod.	Dat.	Name	D-32339 ESPELKAMP		