



Chipsmall Limited consists of a professional team with an average of over 10 year of expertise in the distribution of electronic components. Based in Hongkong, we have already established firm and mutual-benefit business relationships with customers from,Europe,America and south Asia,supplying obsolete and hard-to-find components to meet their specific needs.

With the principle of “Quality Parts,Customers Priority,Honest Operation,and Considerate Service”,our business mainly focus on the distribution of electronic components. Line cards we deal with include Microchip,ALPS,ROHM,Xilinx,Pulse,ON,Everlight and Freescale. Main products comprise IC,Modules,Potentiometer,IC Socket,Relay,Connector.Our parts cover such applications as commercial,industrial, and automotives areas.

We are looking forward to setting up business relationship with you and hope to provide you with the best service and solution. Let us make a better world for our industry!



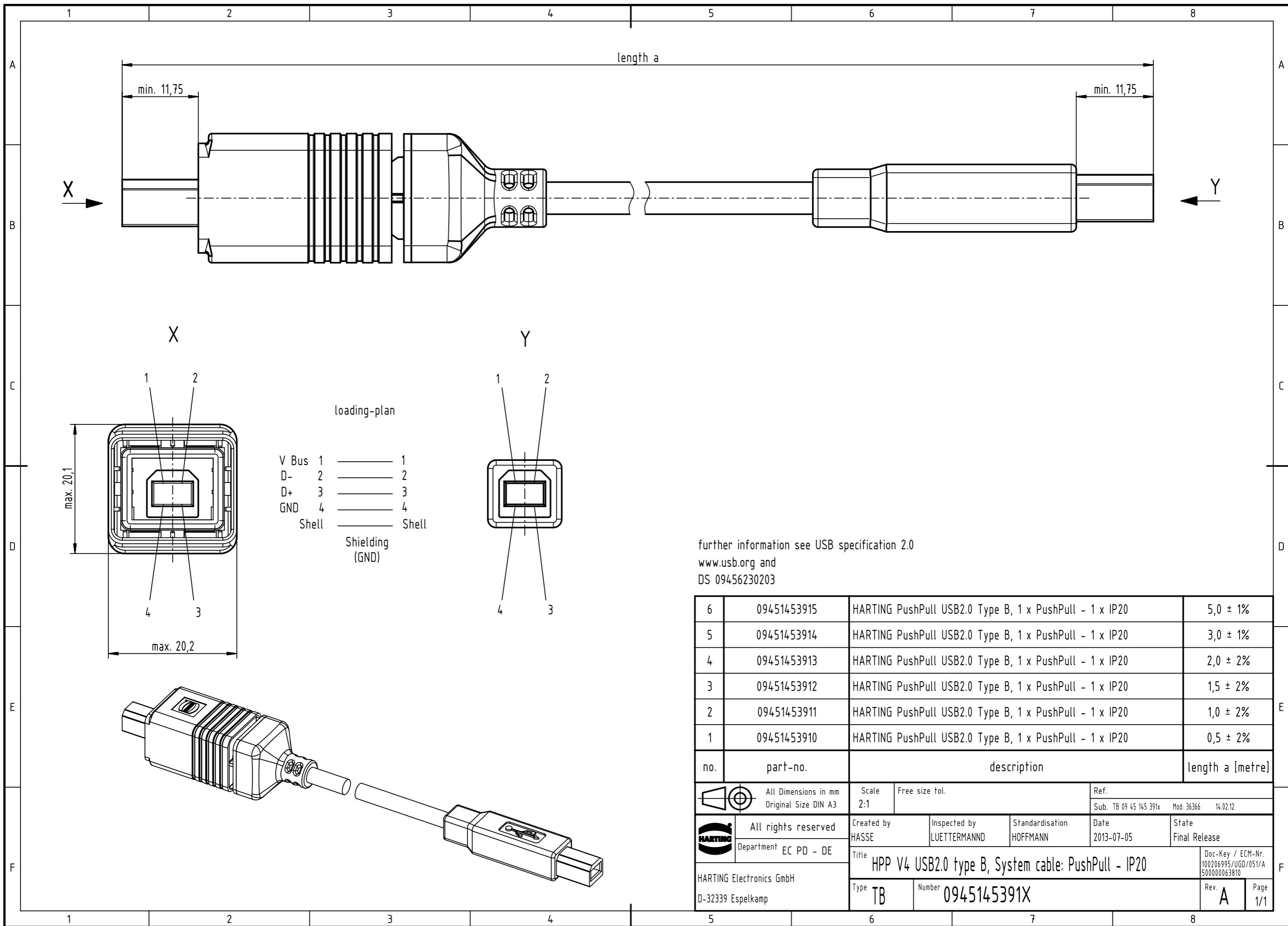
## Contact us

Tel: +86-755-8981 8866 Fax: +86-755-8427 6832

Email & Skype: info@chipsmall.com Web: www.chipsmall.com

Address: A1208, Overseas Decoration Building, #122 Zhenhua RD., Futian, Shenzhen, China





further information see USB specification 2.0  
 www.usb.org and  
 DS 09456230203

6	09451453915	HARTING PushPull USB2.0 Type B, 1 x PushPull - 1 x IP20	5,0 ± 1%
5	09451453914	HARTING PushPull USB2.0 Type B, 1 x PushPull - 1 x IP20	3,0 ± 1%
4	09451453913	HARTING PushPull USB2.0 Type B, 1 x PushPull - 1 x IP20	2,0 ± 2%
3	09451453912	HARTING PushPull USB2.0 Type B, 1 x PushPull - 1 x IP20	1,5 ± 2%
2	09451453911	HARTING PushPull USB2.0 Type B, 1 x PushPull - 1 x IP20	1,0 ± 2%
1	09451453910	HARTING PushPull USB2.0 Type B, 1 x PushPull - 1 x IP20	0,5 ± 2%
no.	part-no.	description	length a [metre]

	All rights reserved Department EC PD - DE	All Dimensions in mm Original Size DIN A3		Scale 2:1	Free size tol.	Ref. Sub. TB 09 45 145 391x Mod: 36366 14.02.12	
		Created by HASSE	Inspected by LUETTERMANN	Standardisation HOFFMANN	Date 2013-07-05	State Final Release	
HARTING Electronics GmbH D-32339 Espelkamp		Title HPP V4 USB2.0 type B, System cable: PushPull - IP20				Doc-Key / ECM-Nr. 100206995/UGD/051/A 50000063810	
		Type TB	Number 0945145391X			Rev. A	Page 1/1