



Chipsmall Limited consists of a professional team with an average of over 10 year of expertise in the distribution of electronic components. Based in Hongkong, we have already established firm and mutual-benefit business relationships with customers from,Europe,America and south Asia,supplying obsolete and hard-to-find components to meet their specific needs.

With the principle of “Quality Parts,Customers Priority,Honest Operation,and Considerate Service”,our business mainly focus on the distribution of electronic components. Line cards we deal with include Microchip,ALPS,ROHM,Xilinx,Pulse,ON,Everlight and Freescale. Main products comprise IC,Modules,Potentiometer,IC Socket,Relay,Connector.Our parts cover such applications as commercial,industrial, and automotives areas.

We are looking forward to setting up business relationship with you and hope to provide you with the best service and solution. Let us make a better world for our industry!



## Contact us

Tel: +86-755-8981 8866 Fax: +86-755-8427 6832

Email & Skype: info@chipsmall.com Web: www.chipsmall.com

Address: A1208, Overseas Decoration Building, #122 Zhenhua RD., Futian, Shenzhen, China



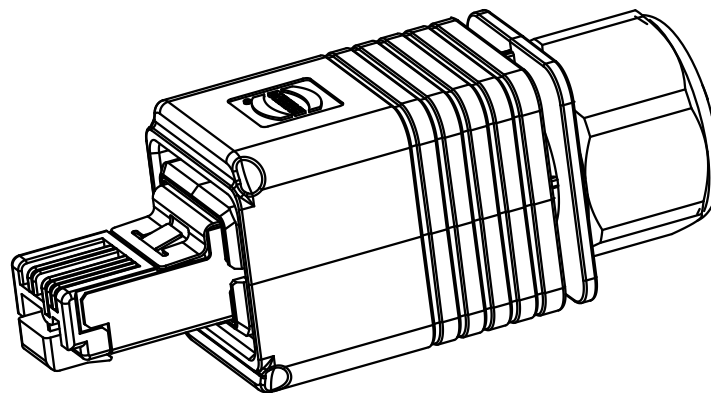
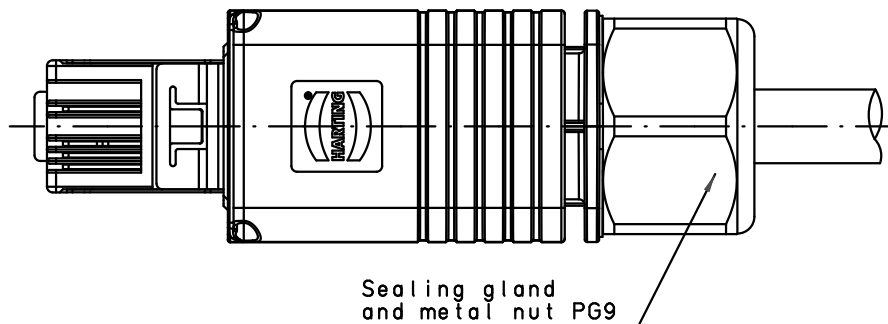
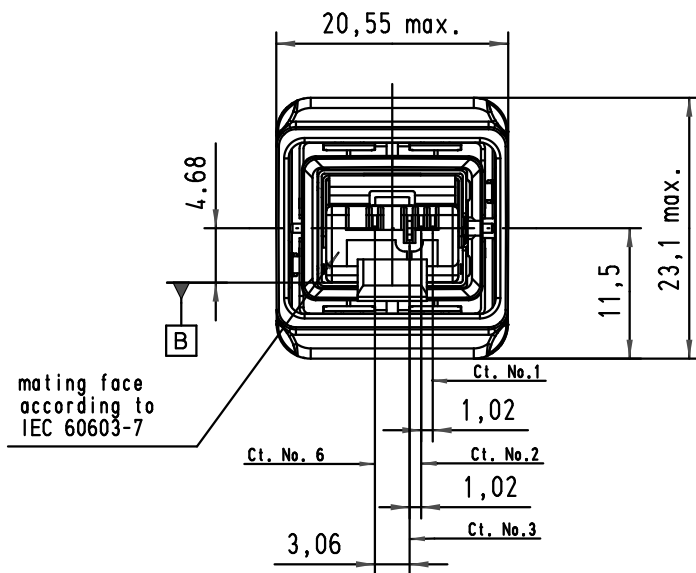
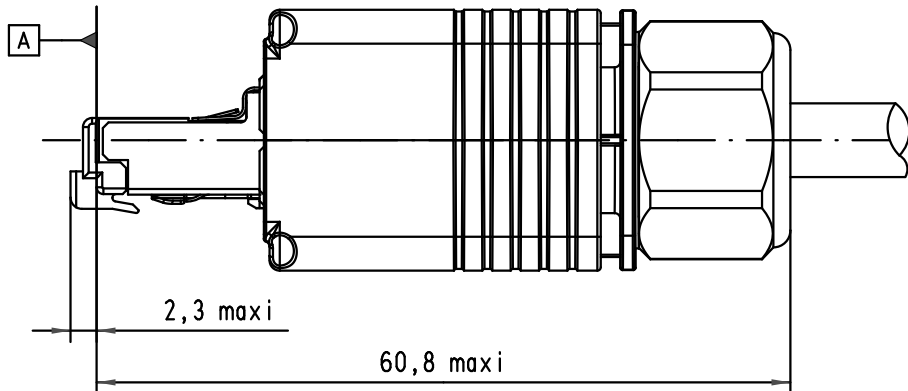
5

4

3

2

1



Plug according to IEC 61076-3-106 Variant 4

Cable diameter : 4.9 to 8.6mm  
 AWG 22 to AWG 23 Solid &  
 AWG 22 to AWG 24 Stranded  
 With wires O.D max. 1.6mm.

				Det.	27/01/09	Name
				Insp.		BD
				Stand.		



All Dim. in mm  
 Orig. Size DIN A 4

HARTING PushPull Metal RJ45  
 IP65/67 Shielded Plug Cat.5  
 4 data contacts

Maßstab/  
 Scale  
 3:2

09 45 195 1100  
 Part Number

Au: 1.27 µm over nickel  
 Data contact plating

35643 27/01/09 BD  
 Mod. Dat. Name

HARTING EURL  
 F-95972 Paris



TB 09 45 195 1100  
 Sub.

Blatt/ Page  
 1 / 1

A

B

C

D