



Chipsmall Limited consists of a professional team with an average of over 10 year of expertise in the distribution of electronic components. Based in Hongkong, we have already established firm and mutual-benefit business relationships with customers from,Europe,America and south Asia,supplying obsolete and hard-to-find components to meet their specific needs.

With the principle of “Quality Parts,Customers Priority,Honest Operation,and Considerate Service”,our business mainly focus on the distribution of electronic components. Line cards we deal with include Microchip,ALPS,ROHM,Xilinx,Pulse,ON,Everlight and Freescale. Main products comprise IC,Modules,Potentiometer,IC Socket,Relay,Connector.Our parts cover such applications as commercial,industrial, and automotives areas.

We are looking forward to setting up business relationship with you and hope to provide you with the best service and solution. Let us make a better world for our industry!



## Contact us

Tel: +86-755-8981 8866 Fax: +86-755-8427 6832

Email & Skype: info@chipsmall.com Web: www.chipsmall.com

Address: A1208, Overseas Decoration Building, #122 Zhenhua RD., Futian, Shenzhen, China

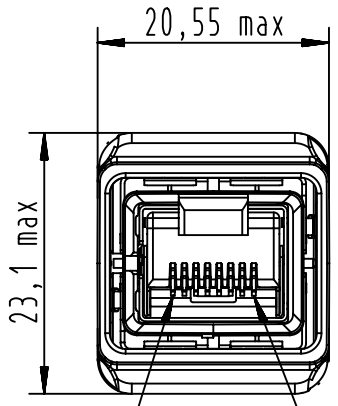
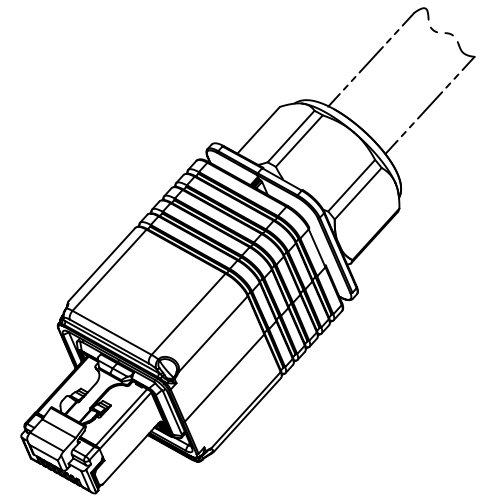


A  
B  
C  
D

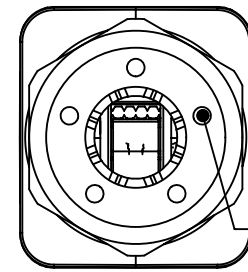
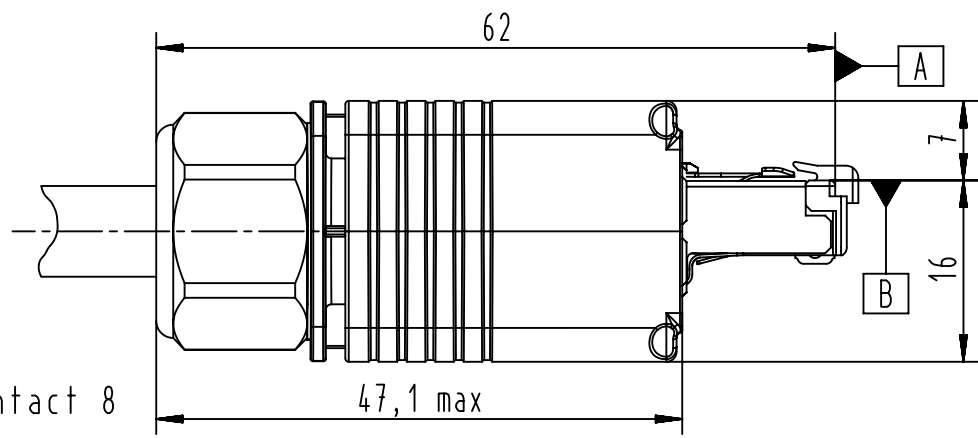
Cable  $\varnothing$  4,9 to 8,6mm

Mating face according to IEC 60603-7

Seal + cage clamp + PG9 nut



Contact 1 Contact 8



On request :  
color coding ring  
for PG9 nut  
TB 09 45 840 001X

Data contact plating: Au 1.27 $\mu$ m (50 $\mu$ inch) over nickel

- For stranded conductors AWG 28 up to AWG 24
- Max. wire diameter 1.05mm
- Cable diameter 4.9 to 8.6mm
- Degree of protection IP65/IP67
- Cat.6A performance class EA suitable for 1/10 Gigabit Ethernet
- Temperature range -40°C up to +70°C
- 750 mating cycles

|   |  |  |                        |                          |   |
|---|--|--|------------------------|--------------------------|---|
|   | All Dimensions in mm<br>Original Size DIN A4 | Scale 1:1                              | Free size tol.         |                          | Ref.  |
|   | All rights reserved<br>Department EC PD - FR | Created by ATIRIS                      | Inspected by DAUCHELLE | Standardisation HOFFMANN | Sub.  |
| HARTING Electronics GmbH<br>D-32339 Espelkamp |  | Title HPP V4 RJ45 GL plug Cat6A8p,met. |                        |                          | Date 2013-03-19<br>State Final Release                                      |
|   |  | Type TB                                | Number 09451951520     |                          | Doc-Key / ECM-Nr.<br>100515099/UGD/001/B<br>500000059856<br>Rev. B Page 1/1 |