



Chipsmall Limited consists of a professional team with an average of over 10 year of expertise in the distribution of electronic components. Based in Hongkong, we have already established firm and mutual-benefit business relationships with customers from,Europe,America and south Asia,supplying obsolete and hard-to-find components to meet their specific needs.

With the principle of “Quality Parts,Customers Priority,Honest Operation,and Considerate Service”,our business mainly focus on the distribution of electronic components. Line cards we deal with include Microchip,ALPS,ROHM,Xilinx,Pulse,ON,Everlight and Freescale. Main products comprise IC,Modules,Potentiometer,IC Socket,Relay,Connector.Our parts cover such applications as commercial,industrial, and automotives areas.

We are looking forward to setting up business relationship with you and hope to provide you with the best service and solution. Let us make a better world for our industry!



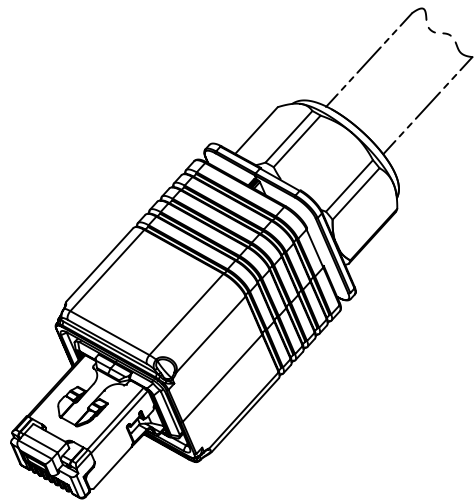
Contact us

Tel: +86-755-8981 8866 Fax: +86-755-8427 6832

Email & Skype: info@chipsmall.com Web: www.chipsmall.com

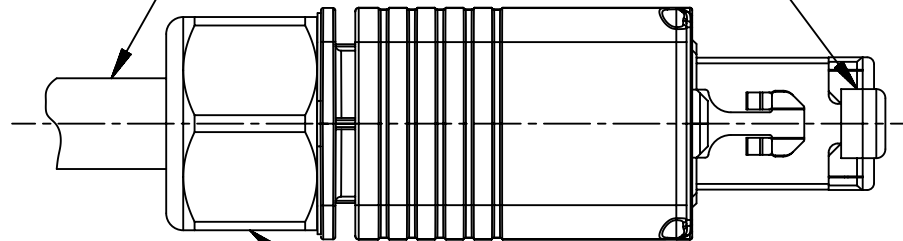
Address: A1208, Overseas Decoration Building, #122 Zhenhua RD., Futian, Shenzhen, China





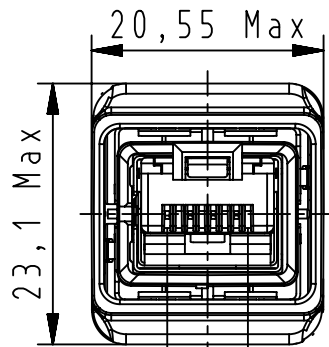
Mating face according to IEC 60603-7

Cable $\phi 4.9 - 8.6\text{mm}$

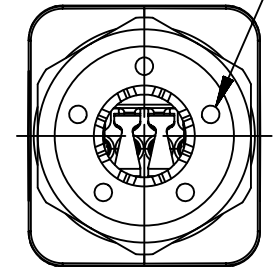
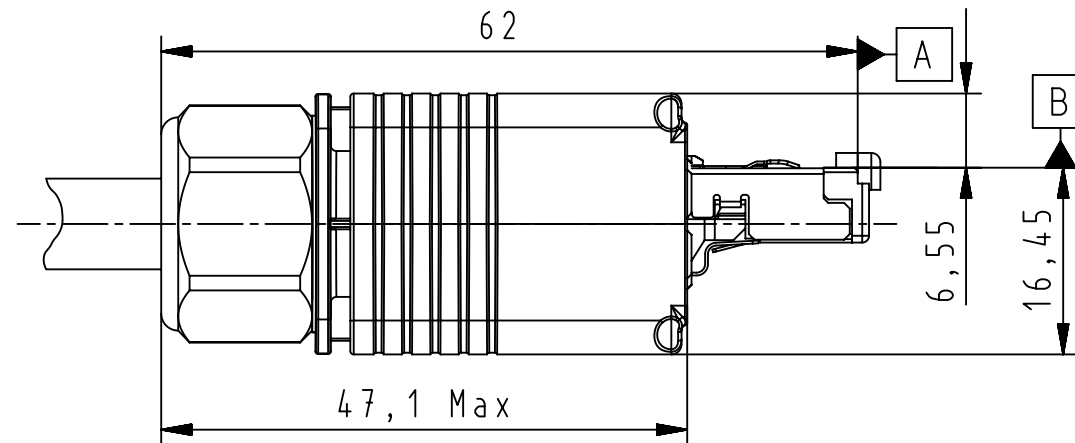


Seal + cage clamp + PG9 nut

On request:
Color coding ring for PG9 nut
TB 09 45 840 001X



Position—1 8



- For solid and stranded conductors AWG 27 up to AWG 22
- Max. wire diameter 1.5mm
- Cable diameter 4.9 to 8.6mm
- Degree of protection IP65/IP67
- Cat.6 performance class EA suitable for 1/10 Gigabit Ethernet
- Temperature range -40°C up to $+70^{\circ}\text{C}$
- 750 mating cycles

Data contact plating: Au $1.27\mu\text{m}$ ($50\mu''$) over nickel

	All rights reserved Department EC PD - FR HARTING Electronics GmbH D-32339 Espelkamp	All Dimensions in mm Original Size DIN A4	Scale 1:1 Free size tol.	Ref. Sub.	
		Created by DOUGE Inspected by BAGDIKIAN Title HARTING PushPull RJ45 10G metal connector Type TB Number 09451951560	Standardisation HOFFMANN Date 2013-04-02 State Final Release	Doc-Key / ECM-Nr. 100218612/UGD/001/A 500000060358 Rev. A Page 1/1	