



Chipsmall Limited consists of a professional team with an average of over 10 year of expertise in the distribution of electronic components. Based in Hongkong, we have already established firm and mutual-benefit business relationships with customers from,Europe,America and south Asia,supplying obsolete and hard-to-find components to meet their specific needs.

With the principle of “Quality Parts,Customers Priority,Honest Operation,and Considerate Service”,our business mainly focus on the distribution of electronic components. Line cards we deal with include Microchip,ALPS,ROHM,Xilinx,Pulse,ON,Everlight and Freescale. Main products comprise IC,Modules,Potentiometer,IC Socket,Relay,Connector.Our parts cover such applications as commercial,industrial, and automotives areas.

We are looking forward to setting up business relationship with you and hope to provide you with the best service and solution. Let us make a better world for our industry!



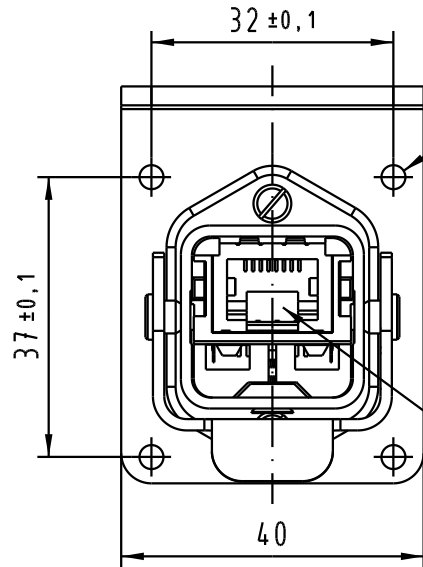
Contact us

Tel: +86-755-8981 8866 Fax: +86-755-8427 6832

Email & Skype: info@chipsmall.com Web: www.chipsmall.com

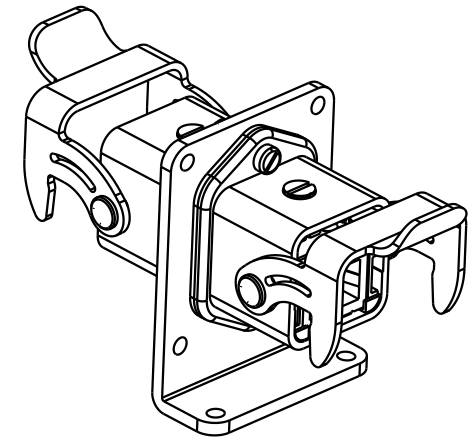
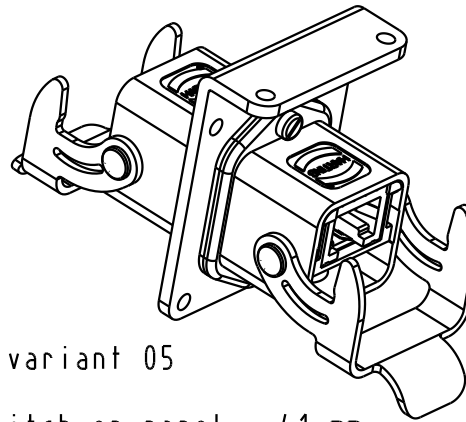
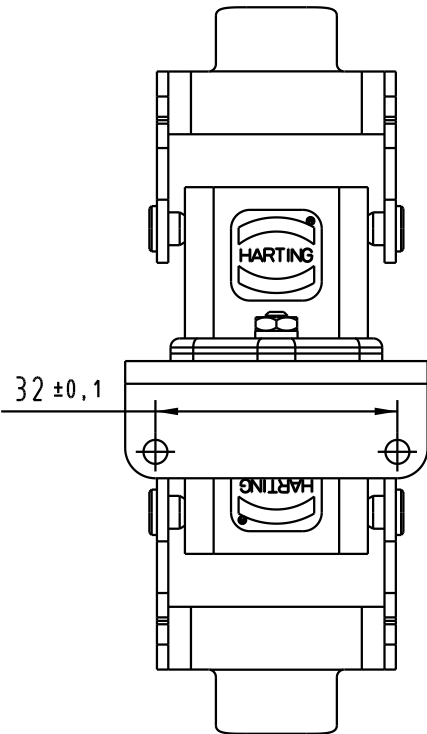
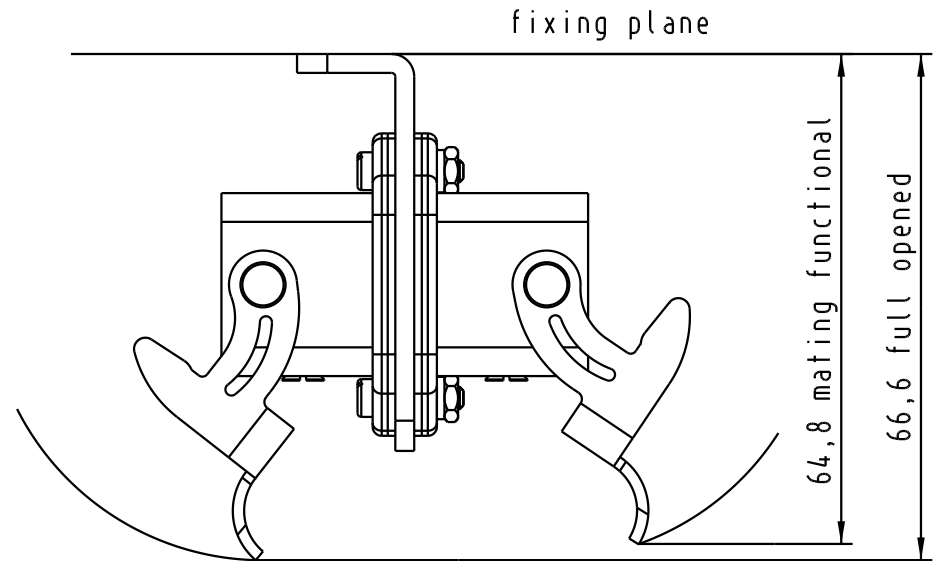
Address: A1208, Overseas Decoration Building, #122 Zhenhua RD., Futian, Shenzhen, China







fixing to support(s)
with M3 screws (x6)

IEC 60603-7
SMC modular jacks
12 mm maxi. height
above PC-Board



matable with
IEC 61076-3-106 variant 05

Gender changer pitch on panel = 41 mm

				Dat.	Name	 All Dim. in mm Orig. Size DIN A 4	RJ Industrial Han3A Gender changer straight metal version	Maßstab/ Scale 1:1
			Detail.	01-JUN-04	JB			
			Insp.					
			Stand.					
32333	16-NOV-04	JB	HARTING EURL F-95972 Paris				TB 09 45 215 1107	Blatt/ Page 1 / 1
32330	10-NOV-04	JB						
31900	01-JUN-04	JB						
Mod.	Dat.	Name				Sub.		