



Chipsmall Limited consists of a professional team with an average of over 10 year of expertise in the distribution of electronic components. Based in Hongkong, we have already established firm and mutual-benefit business relationships with customers from,Europe,America and south Asia,supplying obsolete and hard-to-find components to meet their specific needs.

With the principle of “Quality Parts,Customers Priority,Honest Operation,and Considerate Service”,our business mainly focus on the distribution of electronic components. Line cards we deal with include Microchip,ALPS,ROHM,Xilinx,Pulse,ON,Everlight and Freescale. Main products comprise IC,Modules,Potentiometer,IC Socket,Relay,Connector.Our parts cover such applications as commercial,industrial, and automotives areas.

We are looking forward to setting up business relationship with you and hope to provide you with the best service and solution. Let us make a better world for our industry!



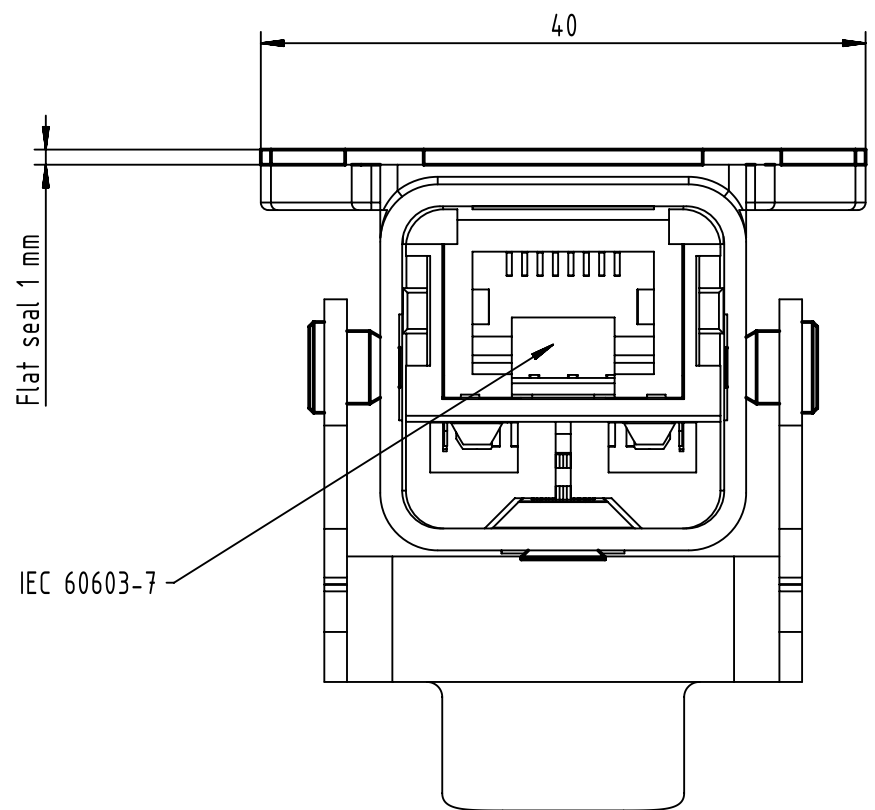
Contact us

Tel: +86-755-8981 8866 Fax: +86-755-8427 6832

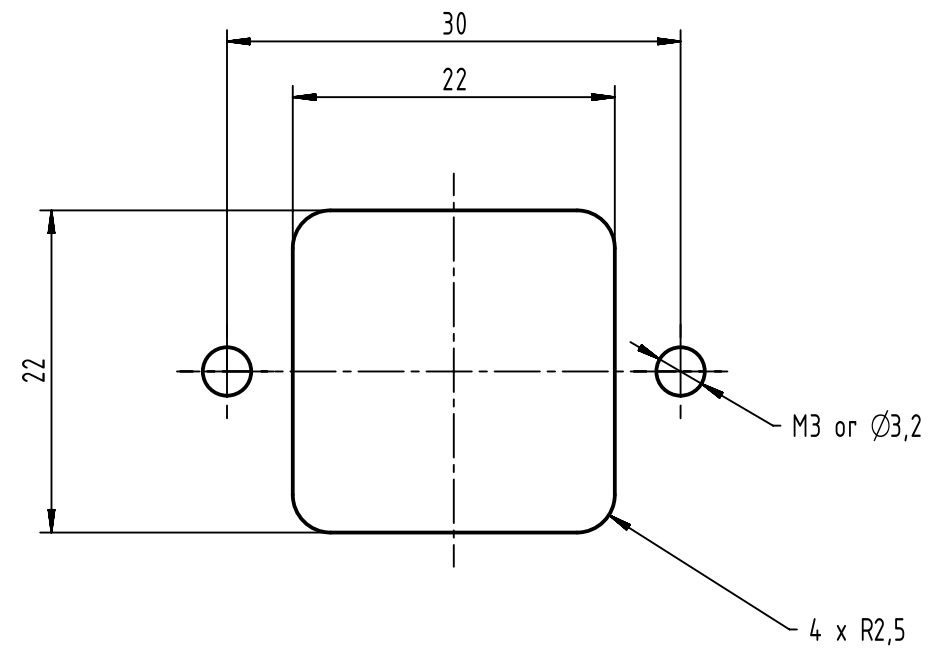
Email & Skype: info@chipsmall.com Web: www.chipsmall.com

Address: A1208, Overseas Decoration Building, #122 Zhenhua RD., Futian, Shenzhen, China



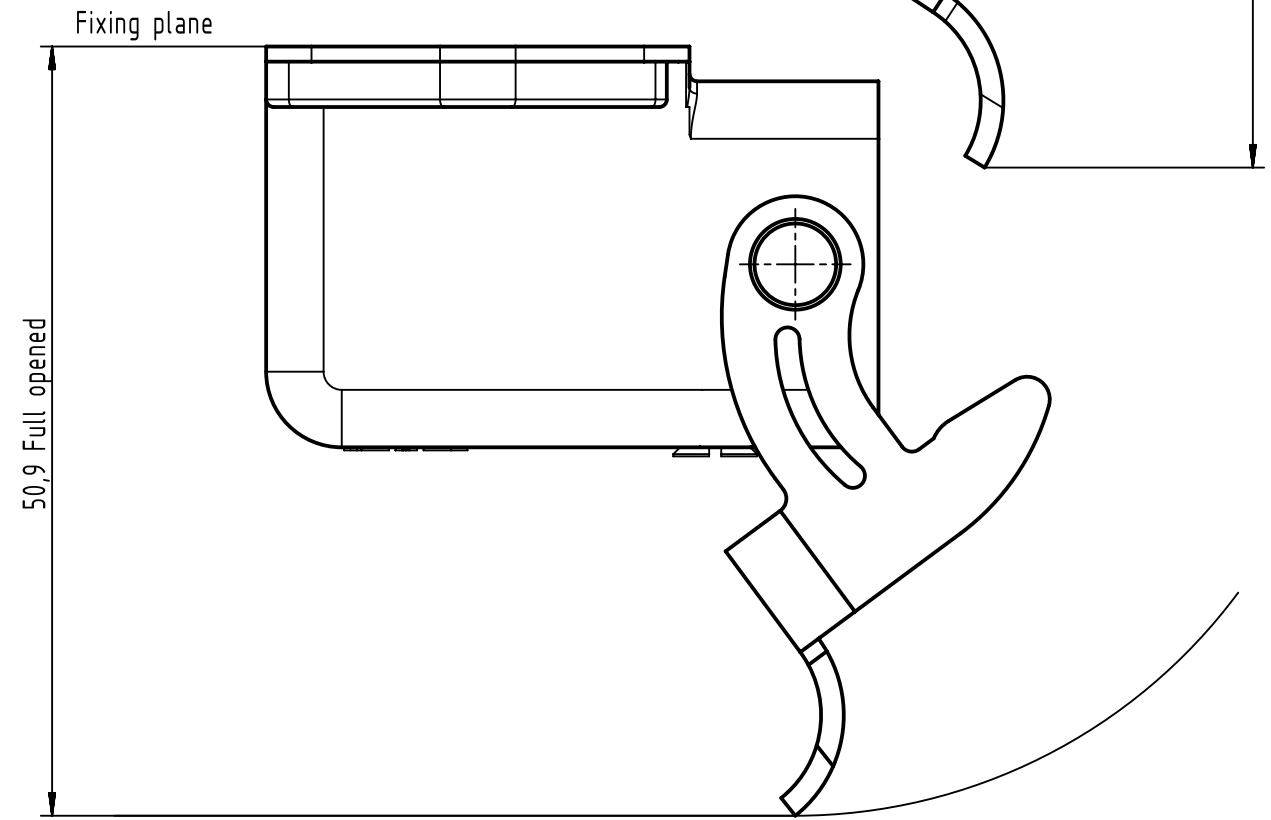
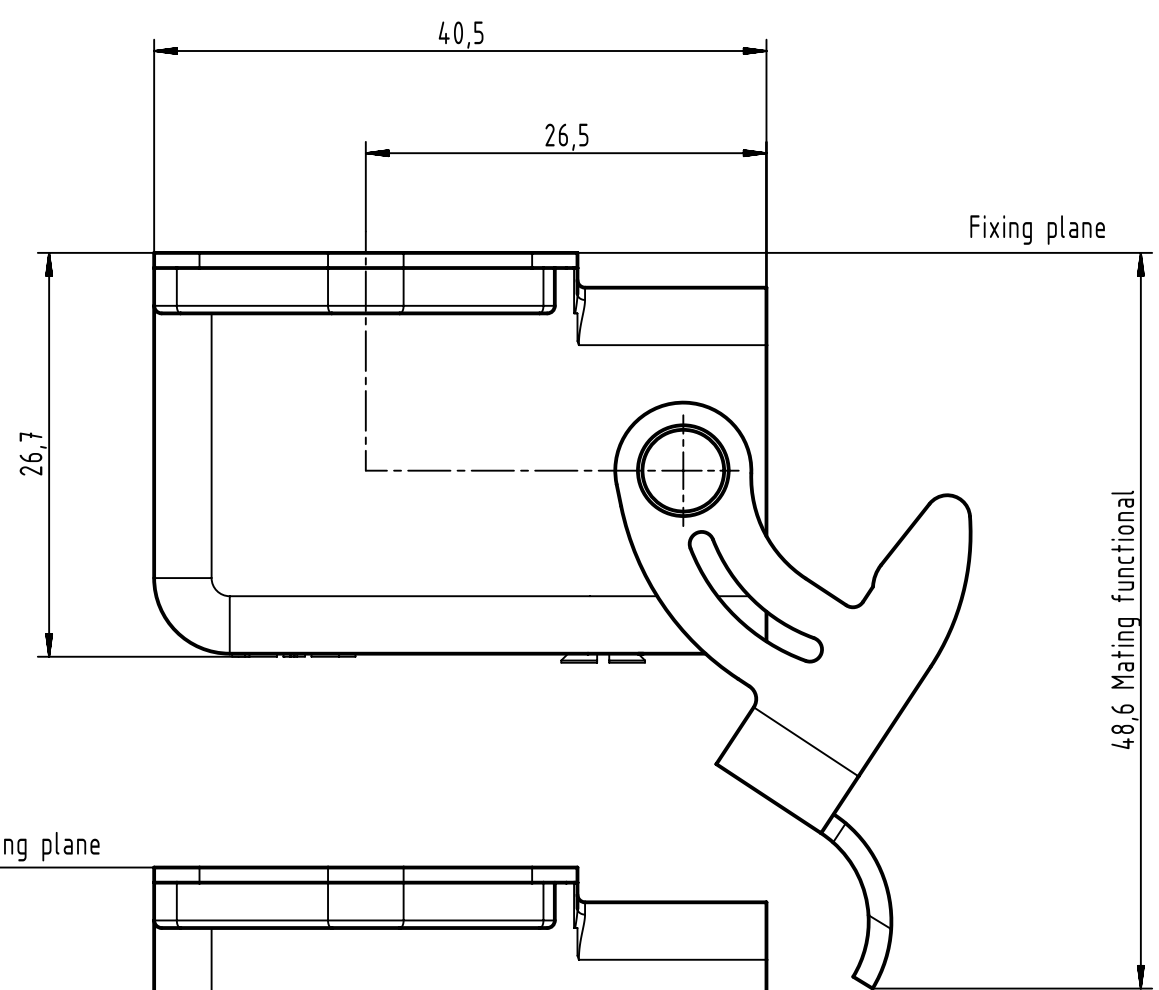


Recommended panel cutout dimensions



Matable with IEC 61076-3-106 variant 05

Panel feed through pitch on panel = 41 mm



	All rights reserved		Created by DOUGE		Inspected by BAGDIKIAN		Standardisation HOFFMANN		Date 2013-08-21		State Final Release		
	Department EC PD - FR		Title RJ Industrial Han3A Panel feed through 90° angled metal		Doc-Key / ECM-Nr. 100229065/UGD/002/A 50000065462		Rev. A		Page 1/1				
HARTING Electronics GmbH D-32339 Espelkamp		Type TB		Number 09452151108									