



Chipsmall Limited consists of a professional team with an average of over 10 year of expertise in the distribution of electronic components. Based in Hongkong, we have already established firm and mutual-benefit business relationships with customers from,Europe,America and south Asia,supplying obsolete and hard-to-find components to meet their specific needs.

With the principle of “Quality Parts,Customers Priority,Honest Operation,and Considerate Service”,our business mainly focus on the distribution of electronic components. Line cards we deal with include Microchip,ALPS,ROHM,Xilinx,Pulse,ON,Everlight and Freescale. Main products comprise IC,Modules,Potentiometer,IC Socket,Relay,Connector.Our parts cover such applications as commercial,industrial, and automotives areas.

We are looking forward to setting up business relationship with you and hope to provide you with the best service and solution. Let us make a better world for our industry!



Contact us

Tel: +86-755-8981 8866 Fax: +86-755-8427 6832

Email & Skype: info@chipsmall.com Web: www.chipsmall.com

Address: A1208, Overseas Decoration Building, #122 Zhenhua RD., Futian, Shenzhen, China



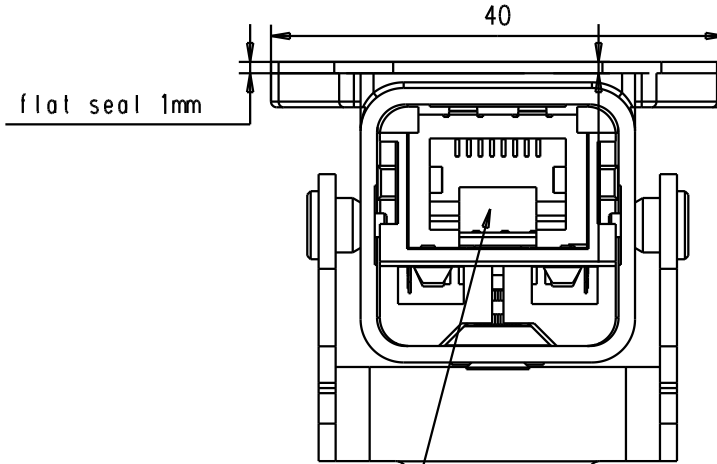
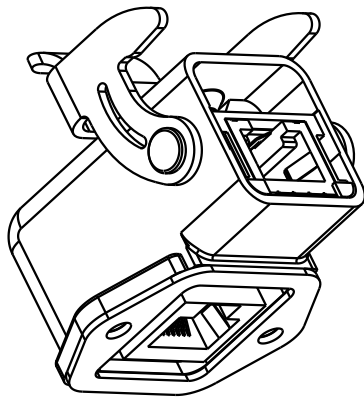
5

4

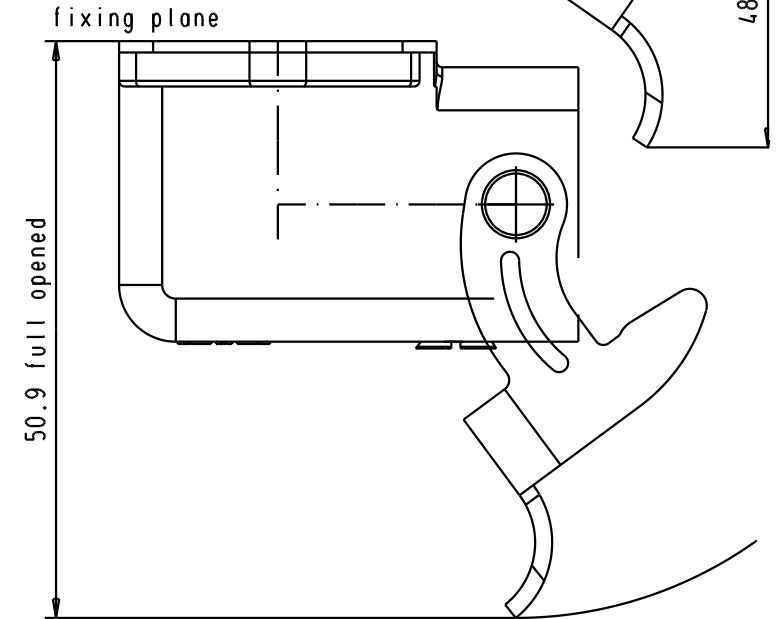
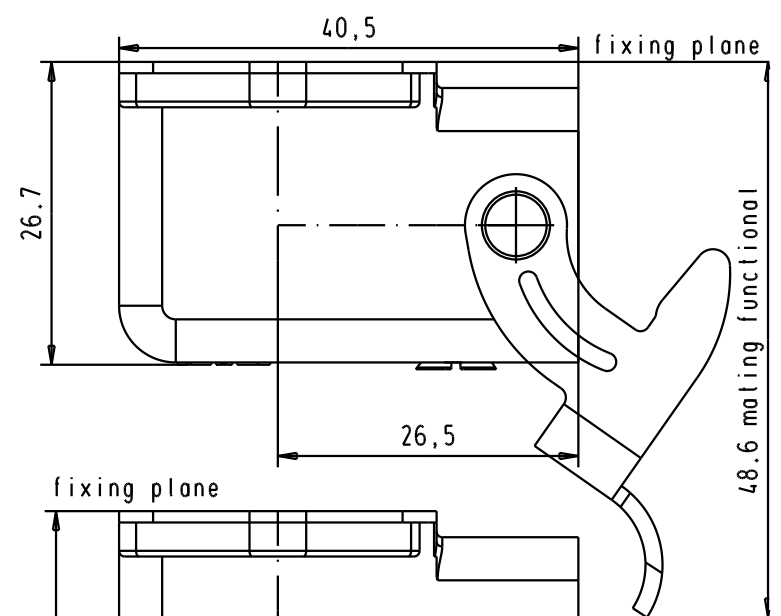
3

2

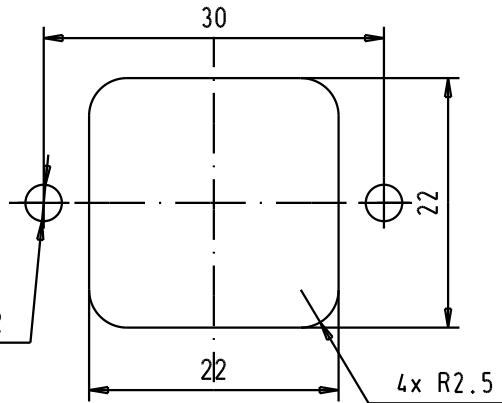
1



IEC 60603-7
SMC modular jack
12mm maxi. height
above PC-Board





recommended panel
cutout dimensions



M3 or $\phi 3.2$

compatible with
IEC 61076-3-106 variant 05

Panel feed through pitch
on panel = 41mm

Mod.	Dat.	Name	Dat.	Name	 All Dim. in mm Orig. Size DIN A 4	RJ-Industrial Han3A-M panel feed through 90 angled metal version black	Maßstab/ Scale 1.5:1		
			Detail.	01/08/05				AM	
			Insp.						
			Stand.						
33083	31/08/05	AM	HARTING EURL F-95972 Paris				TB 09 45 215 1109	Blatt/ Page 1 / 1	
32980	01/08/05	AM							
			Sub.						