



Chipsmall Limited consists of a professional team with an average of over 10 year of expertise in the distribution of electronic components. Based in Hongkong, we have already established firm and mutual-benefit business relationships with customers from,Europe,America and south Asia,supplying obsolete and hard-to-find components to meet their specific needs.

With the principle of "Quality Parts,Customers Priority,Honest Operation,and Considerate Service",our business mainly focus on the distribution of electronic components. Line cards we deal with include Microchip,ALPS,ROHM,Xilinx,Pulse,ON,Everlight and Freescale. Main products comprise IC,Modules,Potentiometer,IC Socket,Relay,Connector.Our parts cover such applications as commercial,industrial, and automotives areas.

We are looking forward to setting up business relationship with you and hope to provide you with the best service and solution. Let us make a better world for our industry!



## Contact us

Tel: +86-755-8981 8866 Fax: +86-755-8427 6832

Email & Skype: info@chipsmall.com Web: www.chipsmall.com

Address: A1208, Overseas Decoration Building, #122 Zhenhua RD., Futian, Shenzhen, China

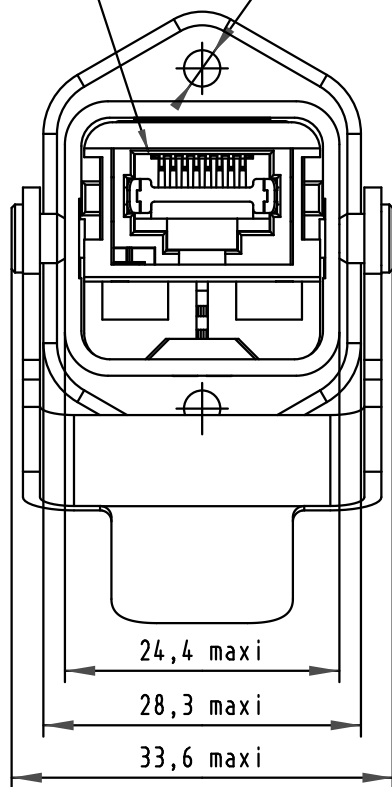


1 2 3 4 5 6

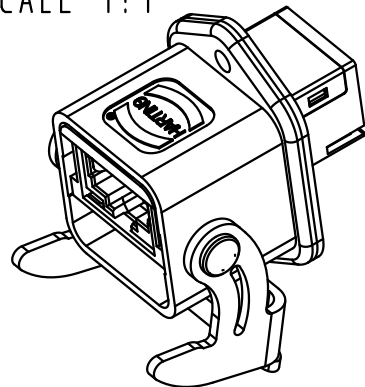
A  
B  
C  
D

IEC 60603-7

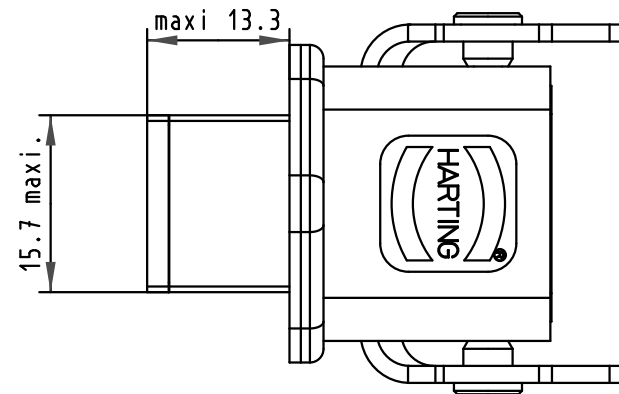
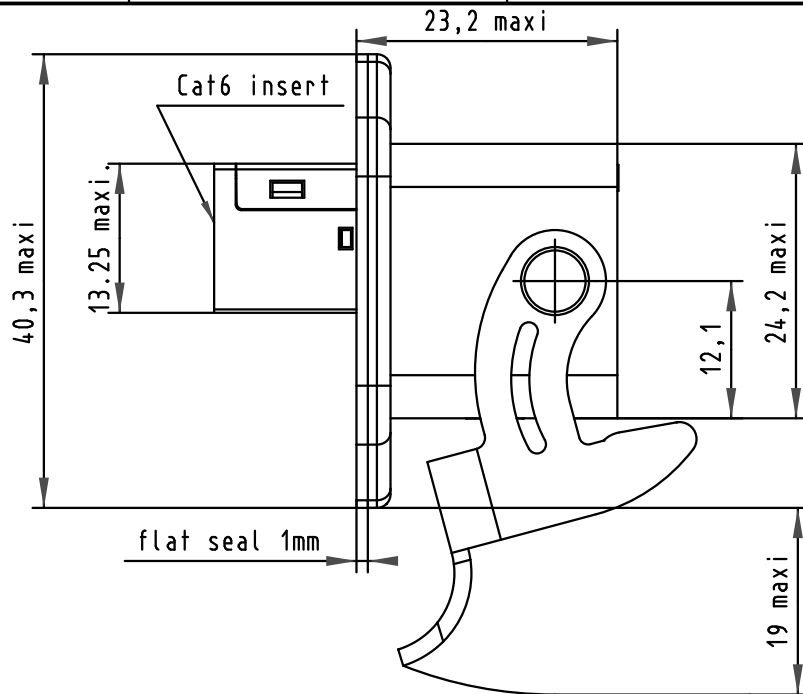
ø3,4 maxi



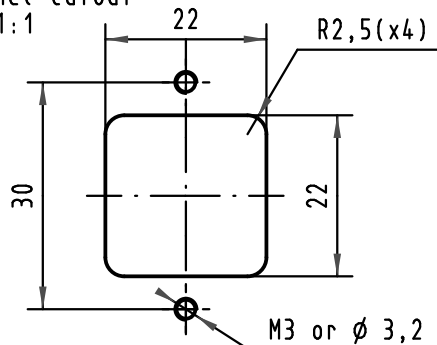
SCALE 1:1

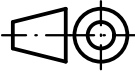


compatible with  
IEC 60076-3-106 variant 5  
connectors pitches on panel  
axis X = 36 mm  
axis Y = 55 mm



recommended panel cutout  
scale 1:1



			Dot.	Name	 All Dim. in mm Orig. Size DIN A 4	RJ Industrial metal Han 3A RJ45 panel feed through Cat.6	Maßstab/ Scale	
			Detail.	25/05/10			AB	1,5:1
			Insp.					
			Stand.					
36075	25/05/10	AB	HARTING EURL F-95972 Paris			TB 09 45 215 1560	Blatt/ Page	
Mod.	Dot.	Name					Sub.	1/1

