



Chipsmall Limited consists of a professional team with an average of over 10 year of expertise in the distribution of electronic components. Based in Hongkong, we have already established firm and mutual-benefit business relationships with customers from,Europe,America and south Asia,supplying obsolete and hard-to-find components to meet their specific needs.

With the principle of “Quality Parts,Customers Priority,Honest Operation,and Considerate Service”,our business mainly focus on the distribution of electronic components. Line cards we deal with include Microchip,ALPS,ROHM,Xilinx,Pulse,ON,Everlight and Freescale. Main products comprise IC,Modules,Potentiometer,IC Socket,Relay,Connector.Our parts cover such applications as commercial,industrial, and automotives areas.

We are looking forward to setting up business relationship with you and hope to provide you with the best service and solution. Let us make a better world for our industry!



Contact us

Tel: +86-755-8981 8866 Fax: +86-755-8427 6832

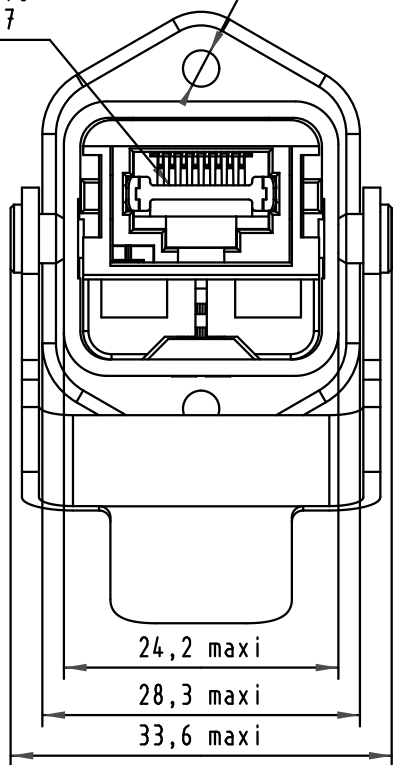
Email & Skype: info@chipsmall.com Web: www.chipsmall.com

Address: A1208, Overseas Decoration Building, #122 Zhenhua RD., Futian, Shenzhen, China

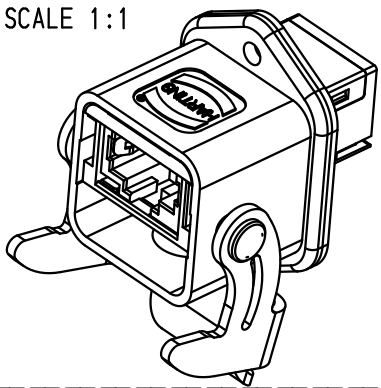


Mating face according to IEC 60603-7

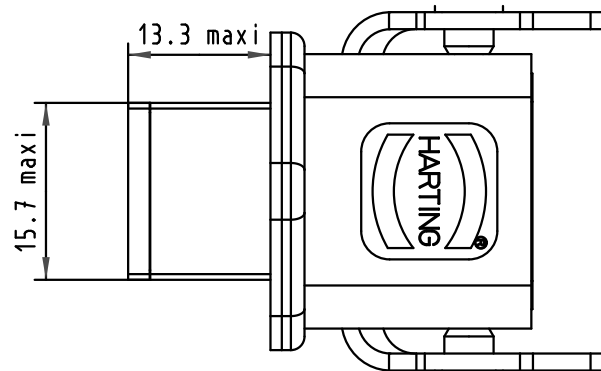
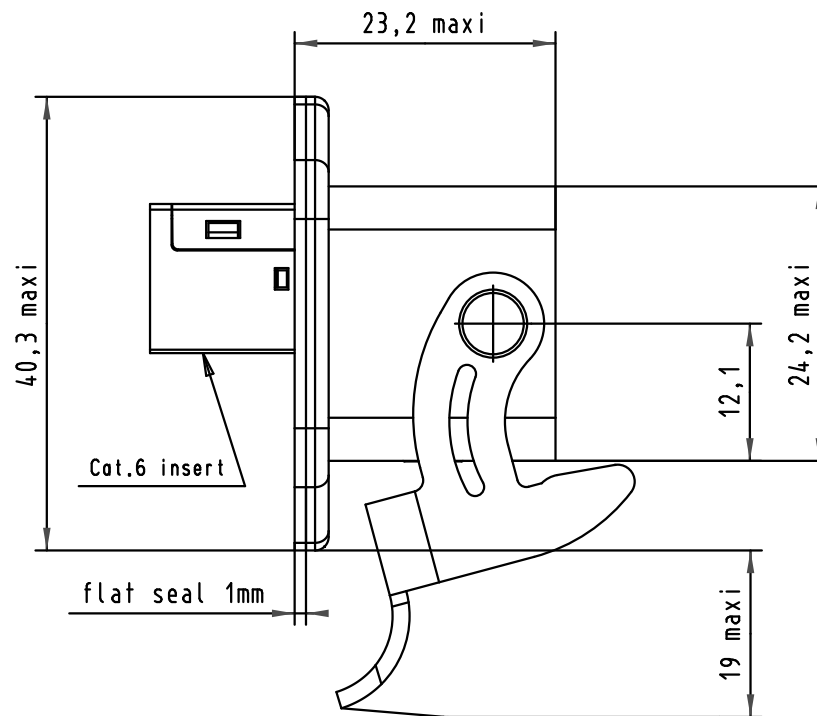
Ø3,4 maxi



SCALE 1:1

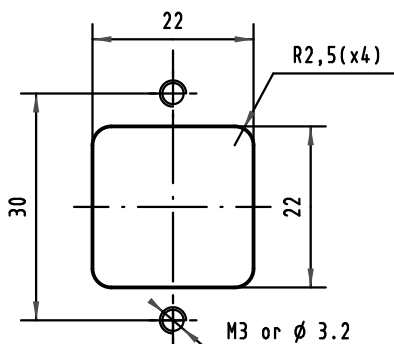




Matable with IEC 60076-3-106 variant 5
Connector pitches on panel:
axis X = 36mm
axis Y = 55mm



recommended panel cutout

scale 1:1



			Dot.	Name	 All Dim. in mm Orig. Size DIN A 4	Han 3A RJ45 panel feed through Cat.6 Metal M Version	Moßstab/ Scale	
			Detail.	10/11/10			AB	1,5:1
			Insp.					
			Stand.				Blatt/ Page	
36238	10/11/10	AB	HARTING EURL F-95972 Paris			 TB 09 45 215 1561	1 1	
Mod.	Dot.	Name	Sub.					