



Chipsmall Limited consists of a professional team with an average of over 10 year of expertise in the distribution of electronic components. Based in Hongkong, we have already established firm and mutual-benefit business relationships with customers from,Europe,America and south Asia,supplying obsolete and hard-to-find components to meet their specific needs.

With the principle of "Quality Parts,Customers Priority,Honest Operation,and Considerate Service",our business mainly focus on the distribution of electronic components. Line cards we deal with include Microchip,ALPS,ROHM,Xilinx,Pulse,ON,Everlight and Freescale. Main products comprise IC,Modules,Potentiometer,IC Socket,Relay,Connector.Our parts cover such applications as commercial,industrial, and automotives areas.

We are looking forward to setting up business relationship with you and hope to provide you with the best service and solution. Let us make a better world for our industry!



Contact us

Tel: +86-755-8981 8866 Fax: +86-755-8427 6832

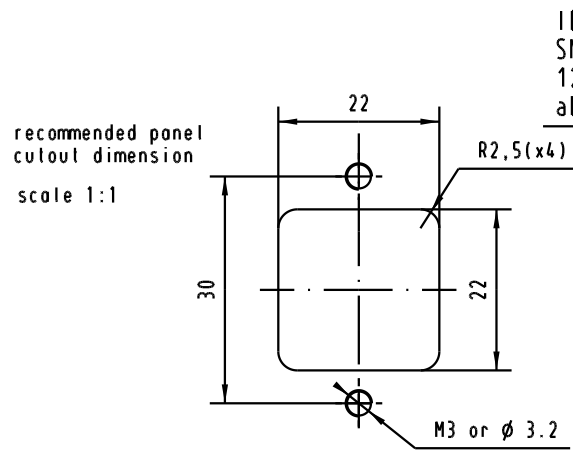
Email & Skype: info@chipsmall.com Web: www.chipsmall.com

Address: A1208, Overseas Decoration Building, #122 Zhenhua RD., Futian, Shenzhen, China

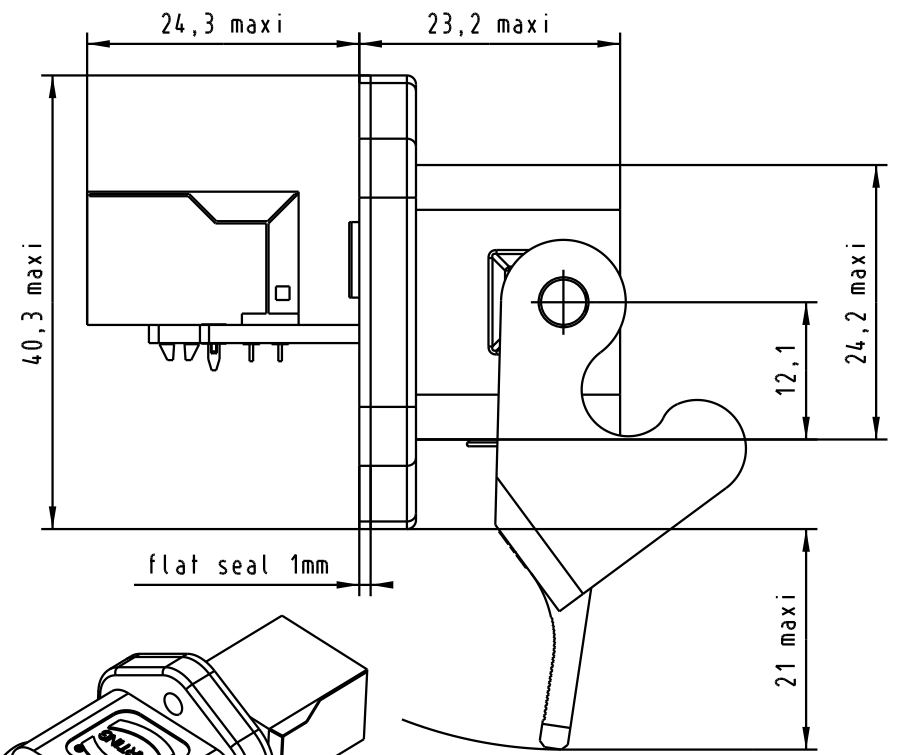
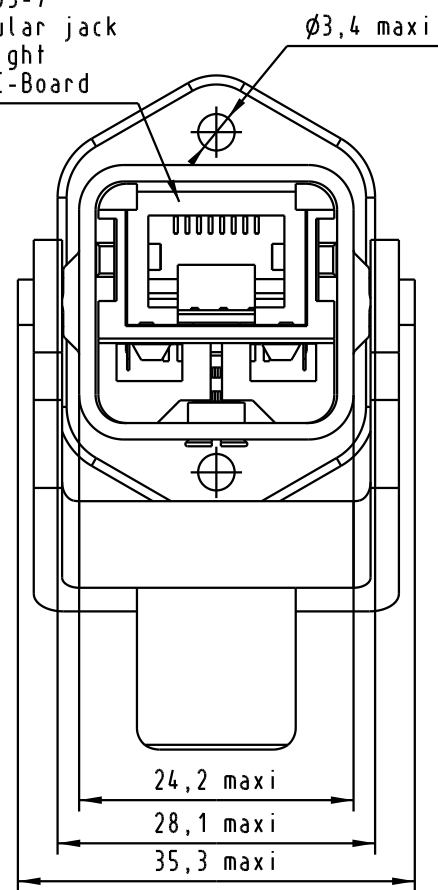


1 2 3 4 5 6

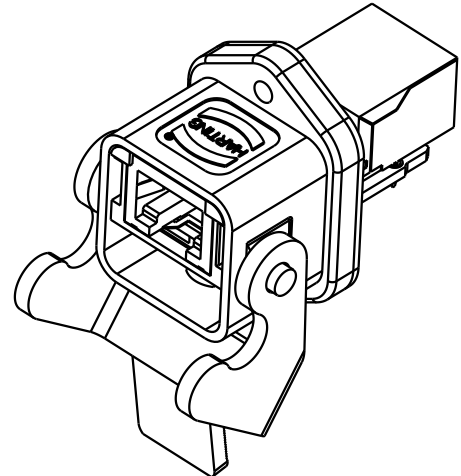
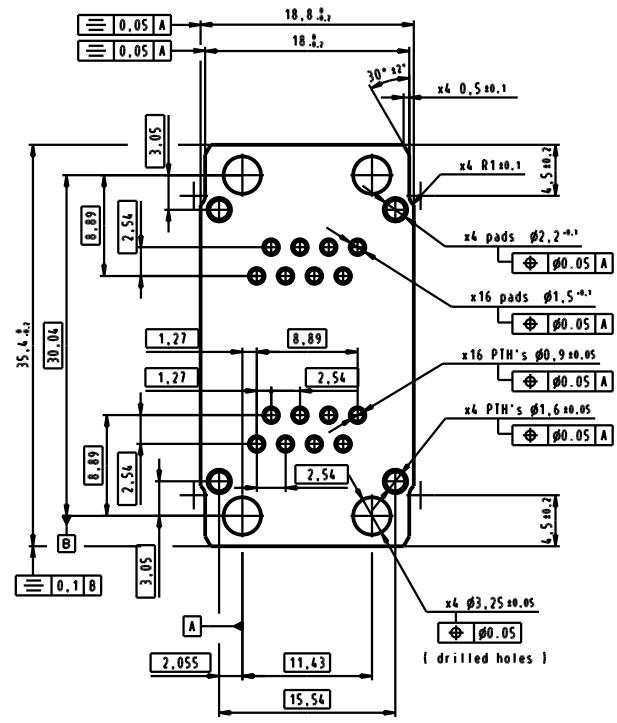
A
B
C
D




IEC 60603-7
SMC modular jack
12mm height
above PC-Board



recommended PC-Board layout (SMC)
view components side



mateable with
IEC 60076-3-106 variant 5
connectors pitches on panel
axis X = 36 mm
Axis Y = 55 mm

Mod.	Dat.	Name	Dat.	Name	 All Dim. in mm Orig. Size DIN A 4	RJ Industrial Han3A panel feed through with plastic housing IP67 - 8 data	Moßstab/ Scale	
			Detail.	18-FEB-03			PP	1,5:1
			Insp.					
			Stand.					
33087	02-SEP-05	JB	HARTING EURL F-95972 Paris			TB09 45 225 11 00	Blatt/ Page 1 / 1	
31909	27-MAY-04	AC						
31394	18-FEB-03	PP						