



Chipsmall Limited consists of a professional team with an average of over 10 year of expertise in the distribution of electronic components. Based in Hongkong, we have already established firm and mutual-benefit business relationships with customers from,Europe,America and south Asia,supplying obsolete and hard-to-find components to meet their specific needs.

With the principle of “Quality Parts,Customers Priority,Honest Operation,and Considerate Service”,our business mainly focus on the distribution of electronic components. Line cards we deal with include Microchip,ALPS,ROHM,Xilinx,Pulse,ON,Everlight and Freescale. Main products comprise IC,Modules,Potentiometer,IC Socket,Relay,Connector.Our parts cover such applications as commercial,industrial, and automotives areas.

We are looking forward to setting up business relationship with you and hope to provide you with the best service and solution. Let us make a better world for our industry!



## Contact us

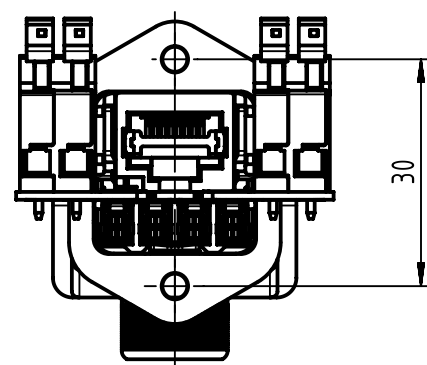
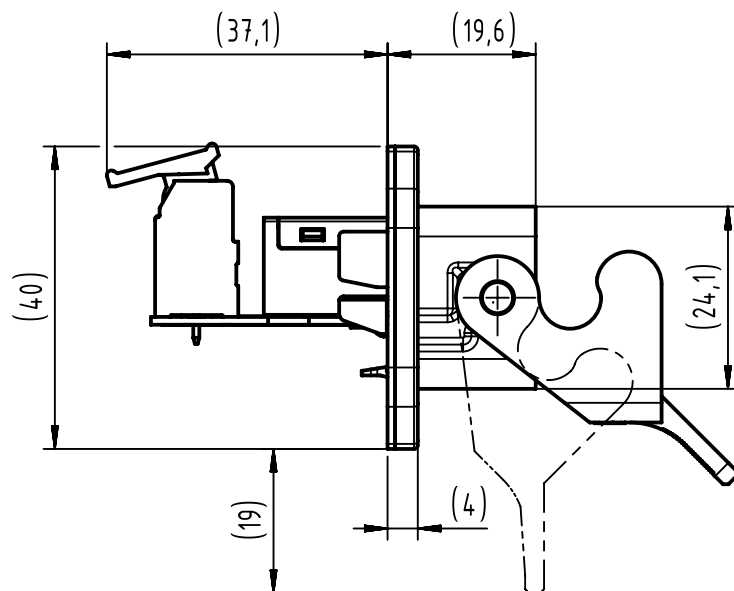
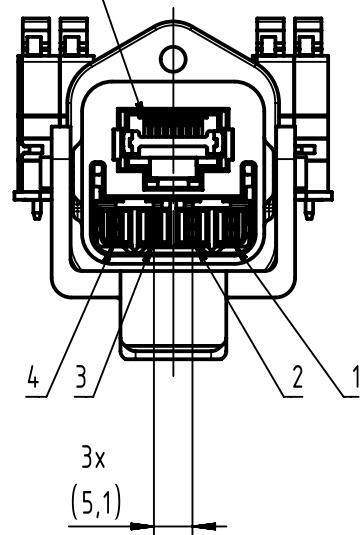
Tel: +86-755-8981 8866 Fax: +86-755-8427 6832

Email & Skype: info@chipsmall.com Web: www.chipsmall.com

Address: A1208, Overseas Decoration Building, #122 Zhenhua RD., Futian, Shenzhen, China



RJ45 mating face acc. to IEC 60603-7

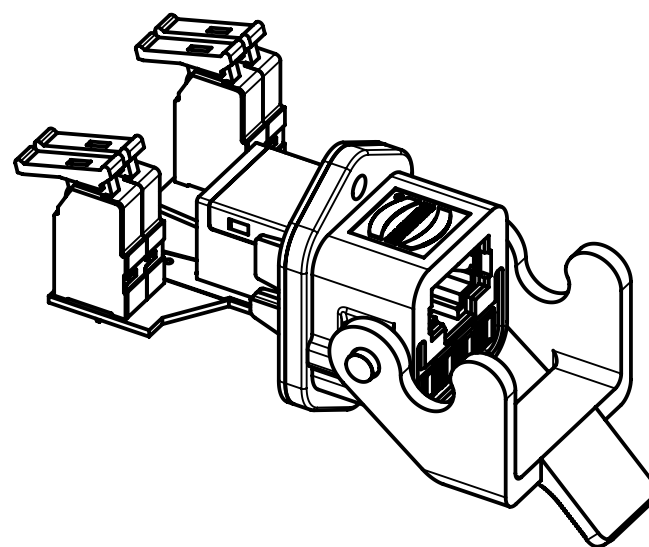
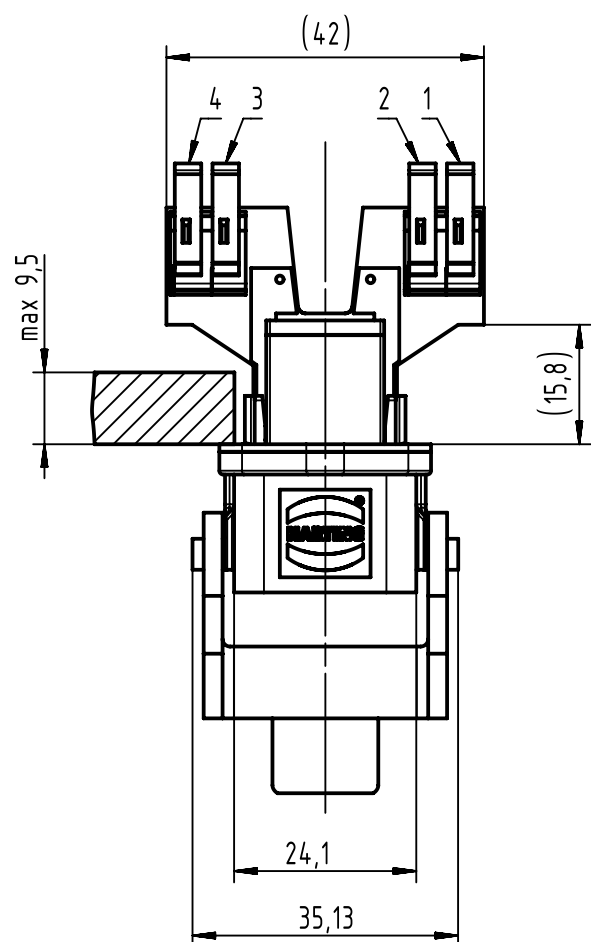


Loading-Plan  
RJ 45

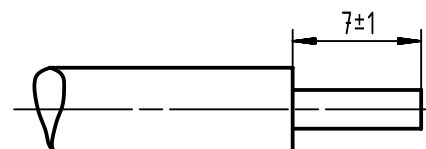
- 1 \_\_\_\_\_ 1
- 2 \_\_\_\_\_ 2
- 3 \_\_\_\_\_ 3
- 4 \_\_\_\_\_ 4
- 5 \_\_\_\_\_ 5
- 6 \_\_\_\_\_ 6
- 7 \_\_\_\_\_ 7
- 8 \_\_\_\_\_ 8

Loading-Plan  
4x 16A/48V

- 1 \_\_\_\_\_ 1
- 2 \_\_\_\_\_ 2
- 3 \_\_\_\_\_ 3
- 4 \_\_\_\_\_ 4

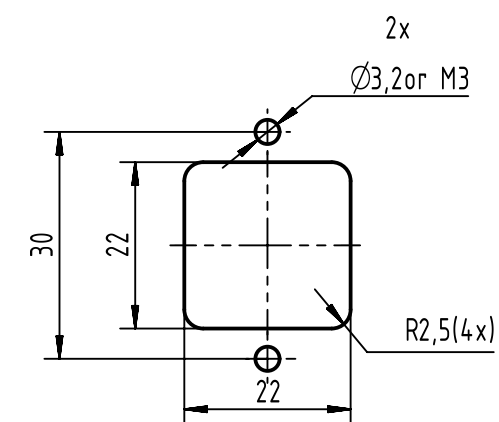


Dismantle length  
for the power wires



Wire diameter: 0.5 to 2.5 sqmm  
Maximum current intensity: 16 A

Panel cut-out



Maximum panel thickness: 9.55 mm

	All Dimensions in mm Original Size DIN A3		Scale 1:1	Free size tol.		Ref.	
	All rights reserved Department EC PD - RO		Created by DRAGHICI	Inspected by AVRAM	Standardisation HOFFMANN	Date 2017-03-09	State Final Release
HARTING Electronics GmbH D-32339 Espelkamp		Title Han 3A RJ45 Hybrid Cat.6 PFT 8+4p plast.				Doc-Key / ECM-Nr. 100673601/UGD/002/C 500000116472	
		Type TB	Number 09452251760			Rev. C	Page 1/1