



Chipsmall Limited consists of a professional team with an average of over 10 year of expertise in the distribution of electronic components. Based in Hongkong, we have already established firm and mutual-benefit business relationships with customers from,Europe,America and south Asia,supplying obsolete and hard-to-find components to meet their specific needs.

With the principle of “Quality Parts,Customers Priority,Honest Operation,and Considerate Service”,our business mainly focus on the distribution of electronic components. Line cards we deal with include Microchip,ALPS,ROHM,Xilinx,Pulse,ON,Everlight and Freescale. Main products comprise IC,Modules,Potentiometer,IC Socket,Relay,Connector.Our parts cover such applications as commercial,industrial, and automotives areas.

We are looking forward to setting up business relationship with you and hope to provide you with the best service and solution. Let us make a better world for our industry!



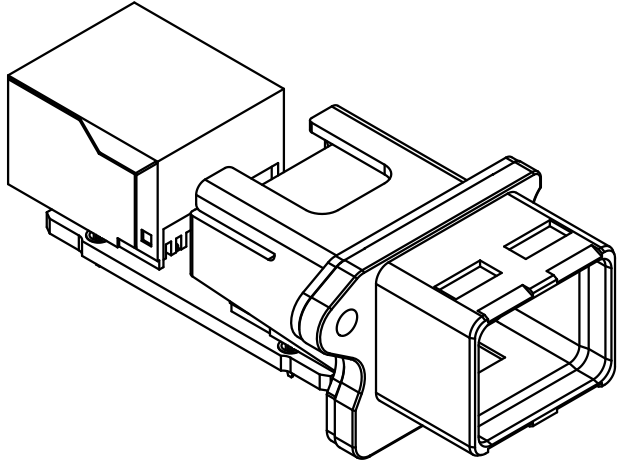
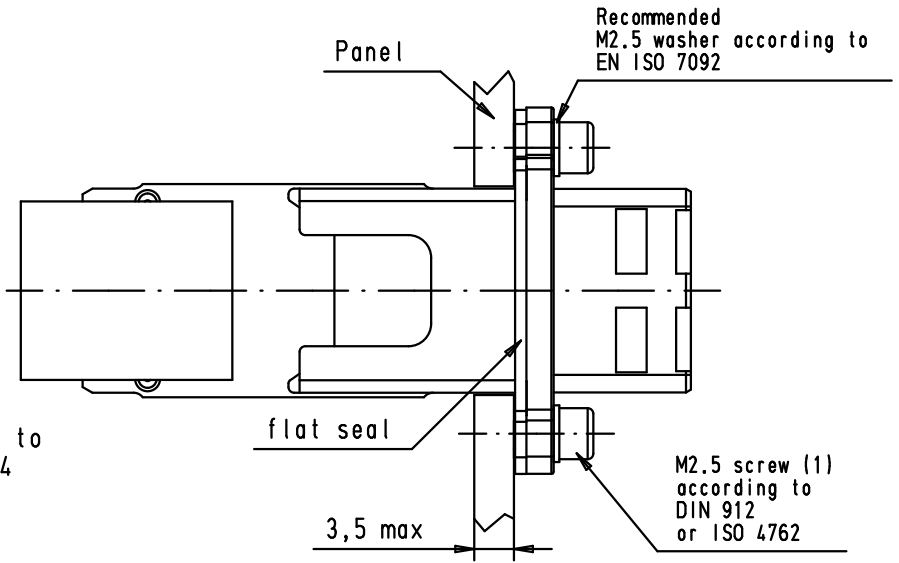
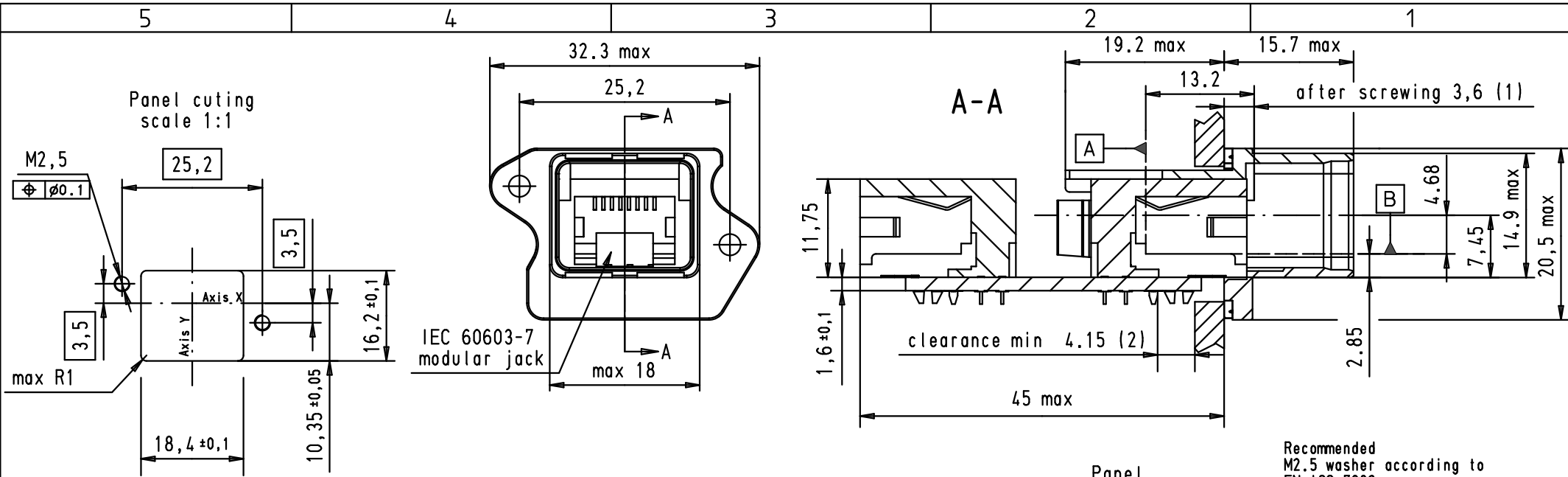
## Contact us

Tel: +86-755-8981 8866 Fax: +86-755-8427 6832

Email & Skype: info@chipsmall.com Web: www.chipsmall.com

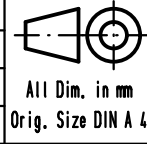

Address: A1208, Overseas Decoration Building, #122 Zhenhua RD., Futian, Shenzhen, China





(2) see design report 54  
 Connector pitch on panel  
 Axis X=27mm and Axis Y=21mm  
 Receptacle ;ating face acc. to  
 600076-3-106 IEC - variant 4

mating references A and B  
 according to IEC 60603-7  
 (1) Screwing torque = 0.3 N.m

					Dot.	Name		<b>RJ-Industrial</b> Push pull RJ industrial Thermoplastic IP67 Receptacle M2.5 screws	Maßstab/ Scale
			Detail.	01/09/05	AM				1.5:1
33976	10/04/07	AM	Insp.						
33114	05/10/05	AM	Stand.						
									Blatt/ Page
09 45 245 1102	0.38µm Au over Ni	33084	01/09/05	AM	HARTING EURL F-95972 Paris			TB 09 45 245 1102	1 / 1
Part Number	Data Contact Plating	Mod.	Dot.	Name					Sub.