



Chipsmall Limited consists of a professional team with an average of over 10 year of expertise in the distribution of electronic components. Based in Hongkong, we have already established firm and mutual-benefit business relationships with customers from,Europe,America and south Asia,supplying obsolete and hard-to-find components to meet their specific needs.

With the principle of “Quality Parts,Customers Priority,Honest Operation,and Considerate Service”,our business mainly focus on the distribution of electronic components. Line cards we deal with include Microchip,ALPS,ROHM,Xilinx,Pulse,ON,Everlight and Freescale. Main products comprise IC,Modules,Potentiometer,IC Socket,Relay,Connector.Our parts cover such applications as commercial,industrial, and automotives areas.

We are looking forward to setting up business relationship with you and hope to provide you with the best service and solution. Let us make a better world for our industry!



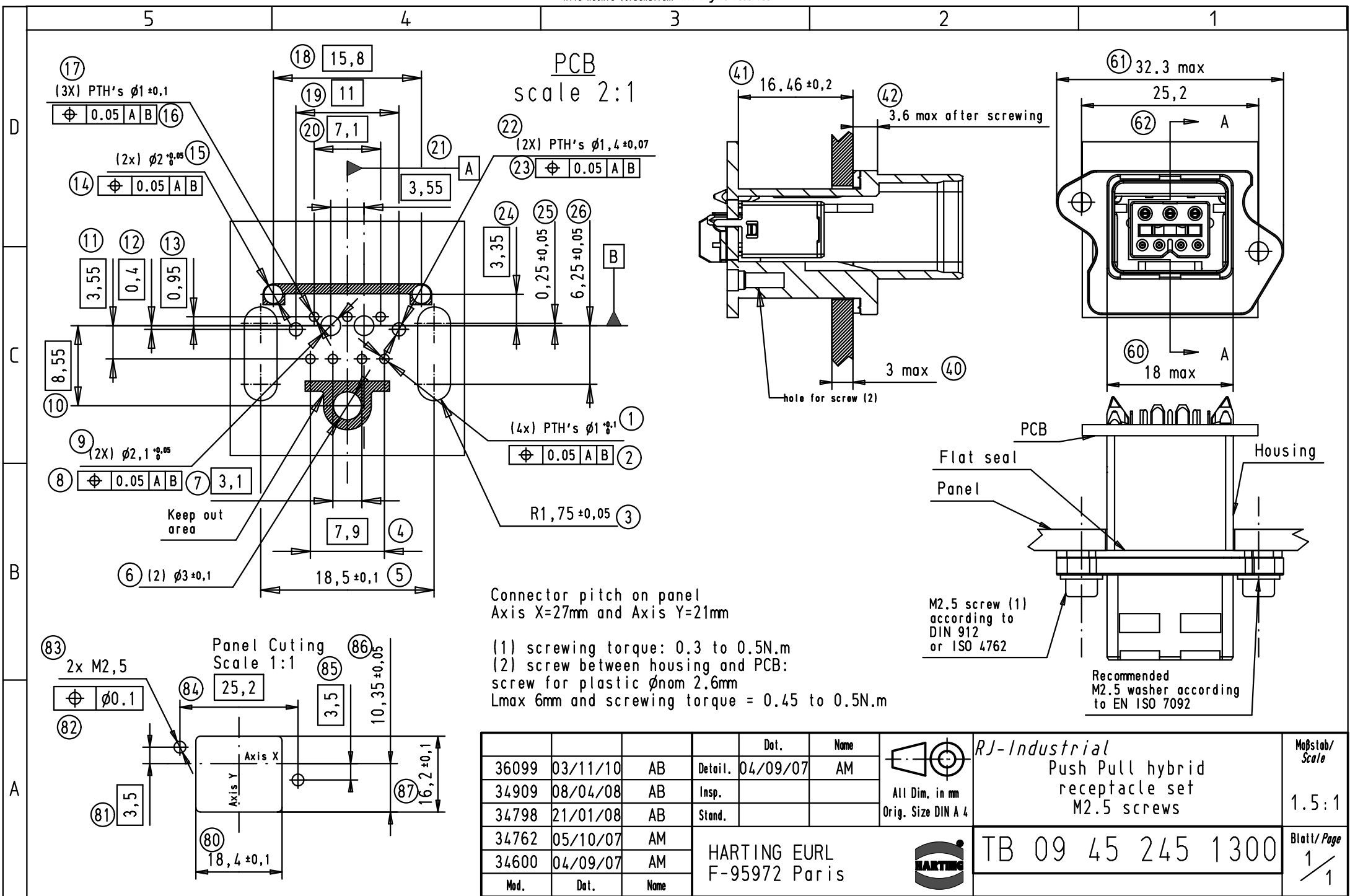
## Contact us

Tel: +86-755-8981 8866 Fax: +86-755-8427 6832

Email & Skype: info@chipsmall.com Web: www.chipsmall.com

Address: A1208, Overseas Decoration Building, #122 Zhenhua RD., Futian, Shenzhen, China






PCB  
scale 2:1


Connector pitch on panel  
Axis X=27mm and Axis Y=21mm

(1) screwing torque: 0.3 to 0.5N.m  
(2) screw between housing and PCB:  
screw for plastic  $\phi_{nom}$  2.6mm  
Lmax 6mm and screwing torque = 0.45 to 0.5N.m

M2.5 screw (1)  
according to  
DIN 912  
or ISO 4762

Recommended  
M2.5 washer according  
to EN ISO 7092

Mod.	Dat.	Name	Dat.	Name	 RJ-Industrial Push Pull hybrid receptacle set M2.5 screws	Moßstab/ Scale	
36099	03/11/10	AB	Detail.	04/09/07		AM	1.5:1
34909	08/04/08	AB	Insp.				
34798	21/01/08	AB	Stand.				
34762	05/10/07	AM	HARTING EURL F-95972 Paris			TB 09 45 245 1300	Blatt/ Page 1 / 1
34600	04/09/07	AM					

  
 All Dim. in mm  
 Orig. Size DIN A 4