



Chipsmall Limited consists of a professional team with an average of over 10 year of expertise in the distribution of electronic components. Based in Hongkong, we have already established firm and mutual-benefit business relationships with customers from,Europe,America and south Asia,supplying obsolete and hard-to-find components to meet their specific needs.

With the principle of "Quality Parts,Customers Priority,Honest Operation,and Considerate Service",our business mainly focus on the distribution of electronic components. Line cards we deal with include Microchip,ALPS,ROHM,Xilinx,Pulse,ON,Everlight and Freescale. Main products comprise IC,Modules,Potentiometer,IC Socket,Relay,Connector.Our parts cover such applications as commercial,industrial, and automotives areas.

We are looking forward to setting up business relationship with you and hope to provide you with the best service and solution. Let us make a better world for our industry!



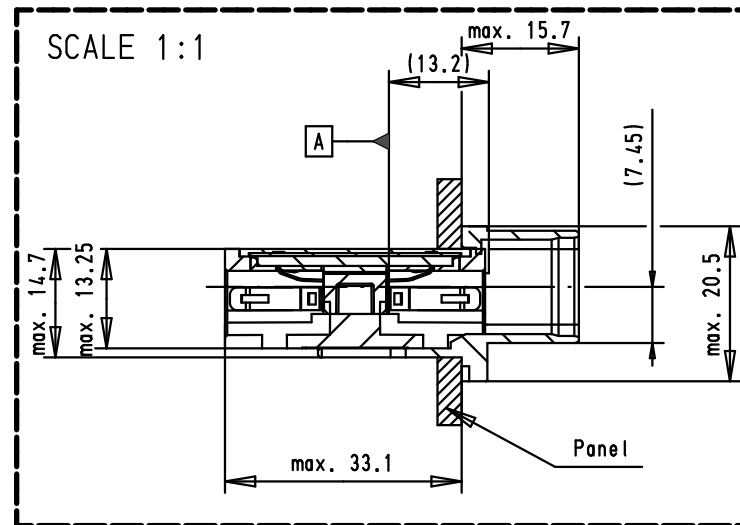
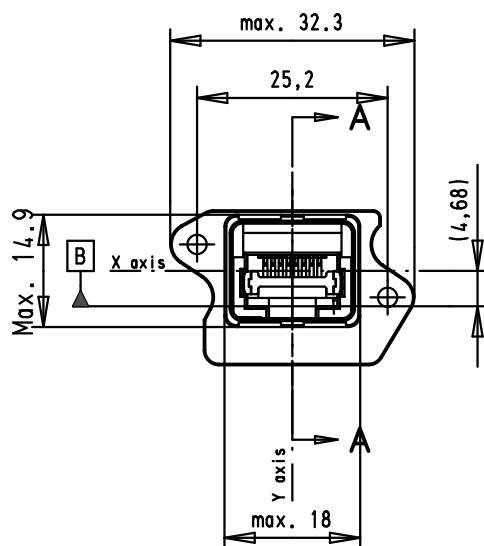
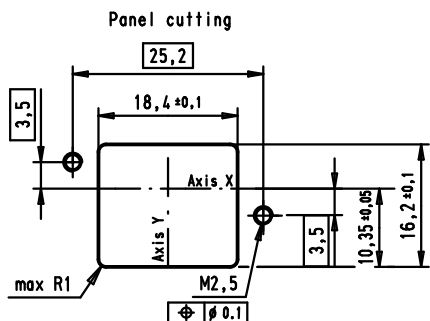
Contact us

Tel: +86-755-8981 8866 Fax: +86-755-8427 6832

Email & Skype: info@chipsmall.com Web: www.chipsmall.com

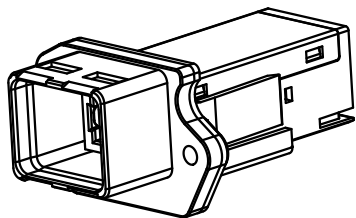
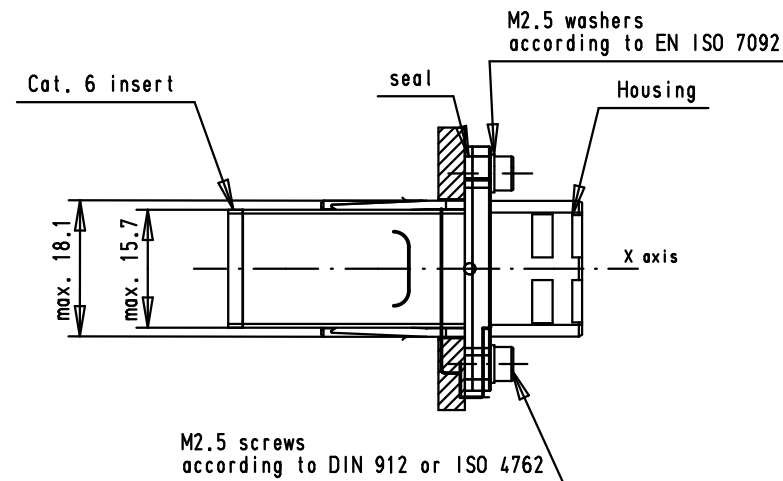
Address: A1208, Overseas Decoration Building, #122 Zhenhua RD., Futian, Shenzhen, China







Connector pitches on panel:
 Axis X=27mm and Axis Y=21mm
 Receptacle according to
 60076-3-106 IEC - variant 4
 Mating reference A and B
 according to IEC 60603-7

Screwing by 2x M2.5 screws with torque 0.3N.m to 0.5N.m
 with M2.5 flat washer under the screw.



				Dat.	Name	 All Dim. in mm Orig. Size DIN A 4	HARTING PUSH-PULL PLASTIC RECEPTACLE M2.5 HOUSING WITH CLIPS FOR Cat.6 INSERT	Maßstab/ Scale 1 : 1
			Detail.	25/05/10	AB			
			Insp.					
			Stand.					
36075	25/05/10	AB	HARTING EURL F-95972 Paris				TB 09 45 245 1560	Blatt/ Page 1 / 1
Mod.	Dat.	Name						