



Chipsmall Limited consists of a professional team with an average of over 10 year of expertise in the distribution of electronic components. Based in Hongkong, we have already established firm and mutual-benefit business relationships with customers from,Europe,America and south Asia,supplying obsolete and hard-to-find components to meet their specific needs.

With the principle of "Quality Parts,Customers Priority,Honest Operation,and Considerate Service",our business mainly focus on the distribution of electronic components. Line cards we deal with include Microchip,ALPS,ROHM,Xilinx,Pulse,ON,Everlight and Freescale. Main products comprise IC,Modules,Potentiometer,IC Socket,Relay,Connector.Our parts cover such applications as commercial,industrial, and automotives areas.

We are looking forward to setting up business relationship with you and hope to provide you with the best service and solution. Let us make a better world for our industry!



Contact us

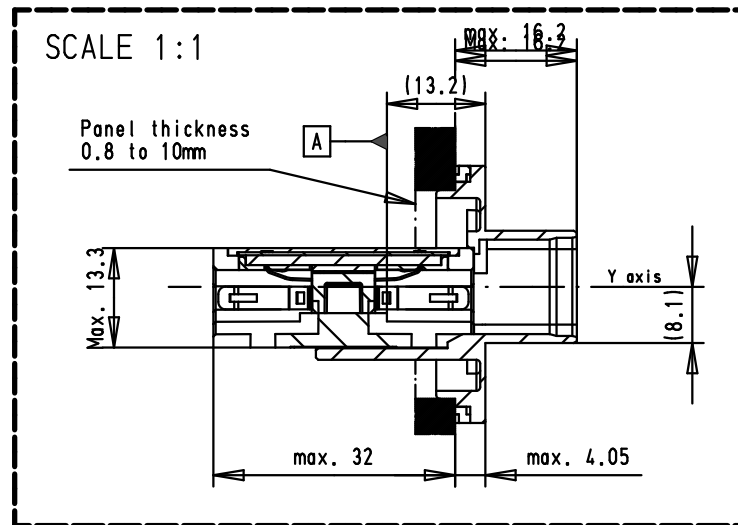
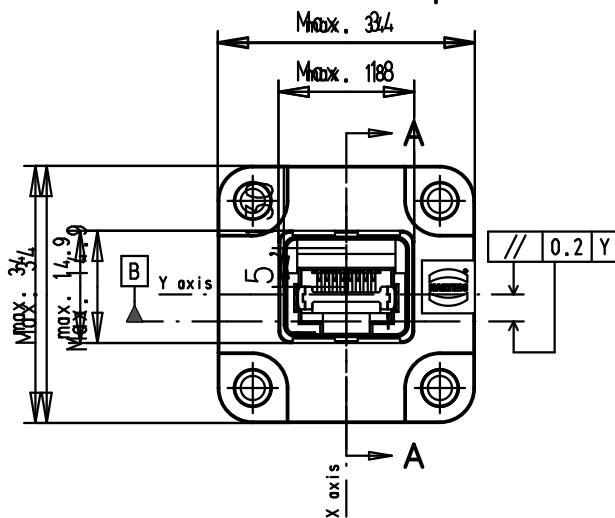
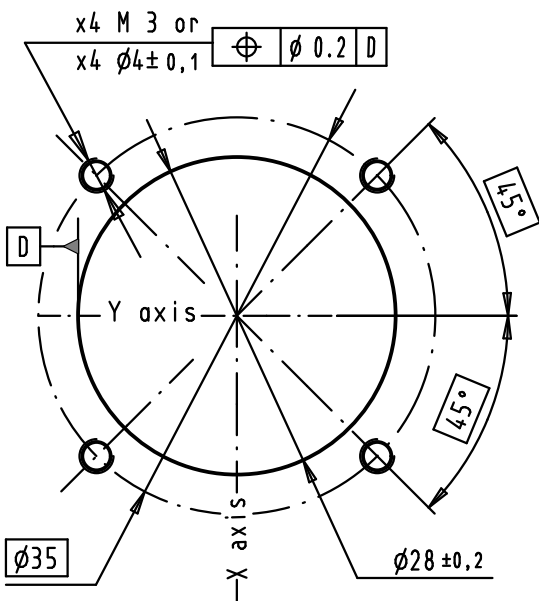
Tel: +86-755-8981 8866 Fax: +86-755-8427 6832

Email & Skype: info@chipsmall.com Web: www.chipsmall.com

Address: A1208, Overseas Decoration Building, #122 Zhenhua RD., Futian, Shenzhen, China



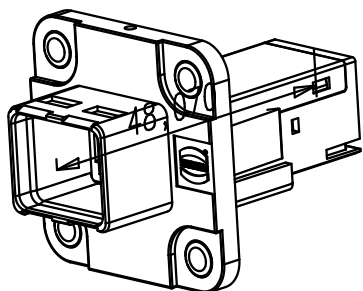
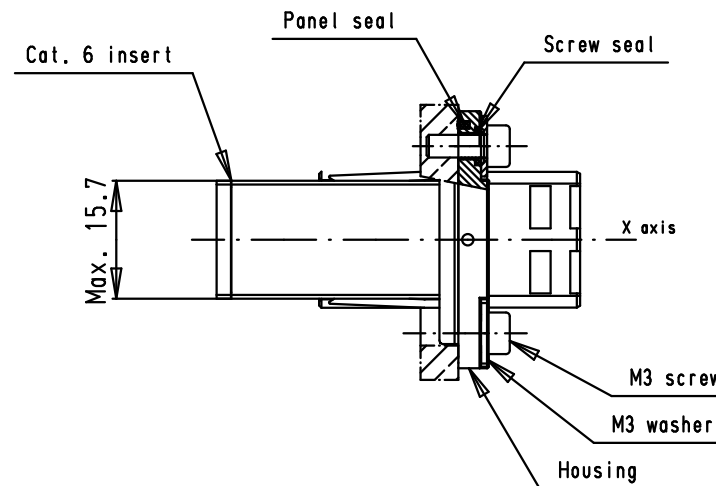
Panel cutting



Connector pitches on panel = 35 mm
 Receptacle mating face acc. to
 IEC 61076-3-106 - variant 04

jack references A and B
 according to IEC 60603-7
 the jack is located in the housing
 in the X,Y,Z axis after locking clips.

Screwing by x4 M3 screws with torque 0.5 N.m
 with flat washer under the screw .



			Dot.	Name	<p>All Dim. in mm Orig. Size DIN A 4</p>	HARTING PUSH/PULL PLASTIC EASYINSTALL PANEL FEED THROUGH Cat.6	Maßstab/ Scale 1:1
		Detail.	25/05/10	AB			
		Insp.					
		Stand.					
36075	25/05/10	AB	HARTING EURL F-95972 Paris			TB 09 45 245 1590	Blatt/ Page 1 / 1
Mod.	Dot.	Name					

