



Chipsmall Limited consists of a professional team with an average of over 10 year of expertise in the distribution of electronic components. Based in Hongkong, we have already established firm and mutual-benefit business relationships with customers from,Europe,America and south Asia,supplying obsolete and hard-to-find components to meet their specific needs.

With the principle of “Quality Parts,Customers Priority,Honest Operation,and Considerate Service”,our business mainly focus on the distribution of electronic components. Line cards we deal with include Microchip,ALPS,ROHM,Xilinx,Pulse,ON,Everlight and Freescale. Main products comprise IC,Modules,Potentiometer,IC Socket,Relay,Connector.Our parts cover such applications as commercial,industrial, and automotives areas.

We are looking forward to setting up business relationship with you and hope to provide you with the best service and solution. Let us make a better world for our industry!



Contact us

Tel: +86-755-8981 8866 Fax: +86-755-8427 6832

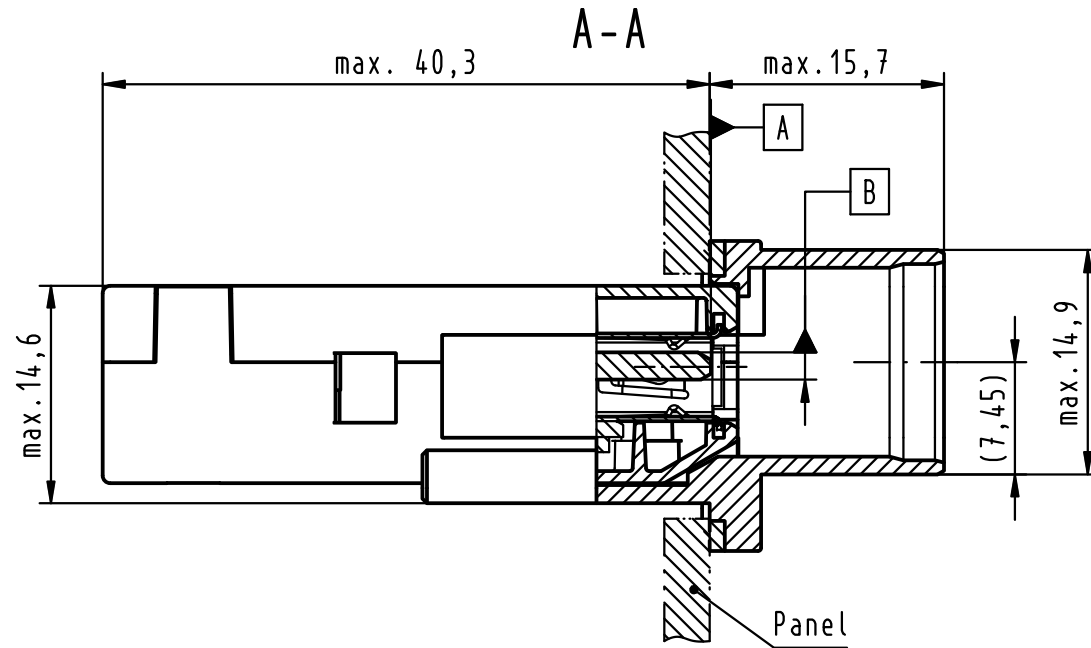
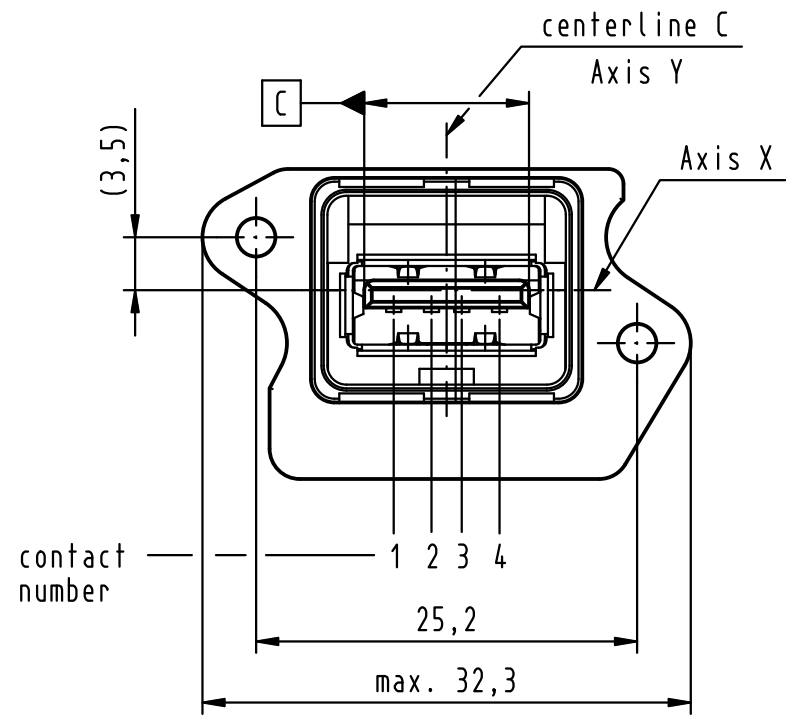
Email & Skype: info@chipsmall.com Web: www.chipsmall.com

Address: A1208, Overseas Decoration Building, #122 Zhenhua RD., Futian, Shenzhen, China

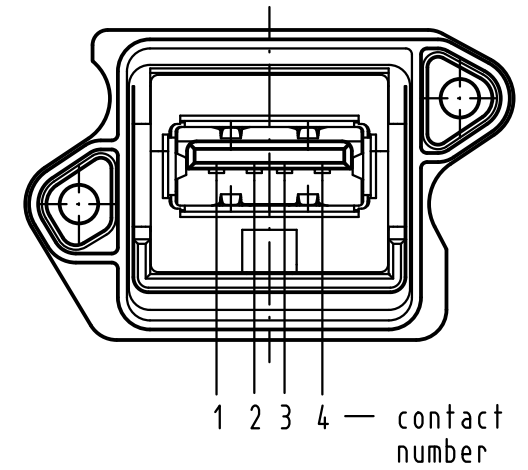


Alle Rechte vorbehalten/ All rights reserved

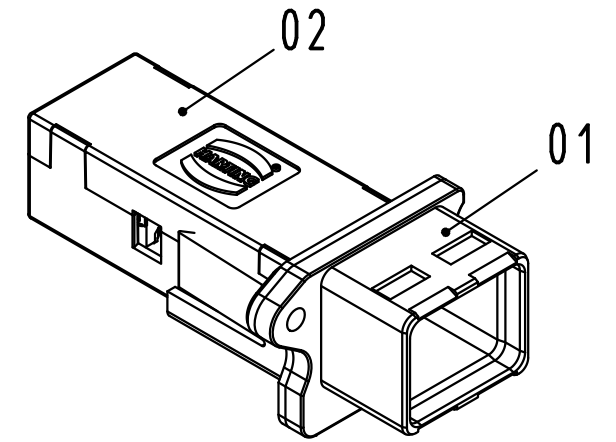
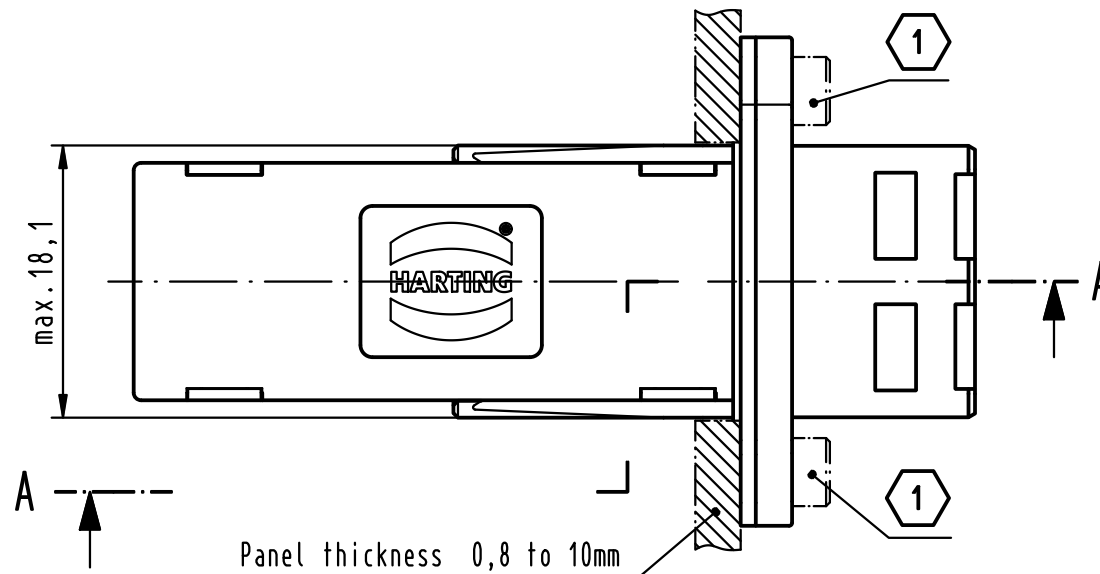
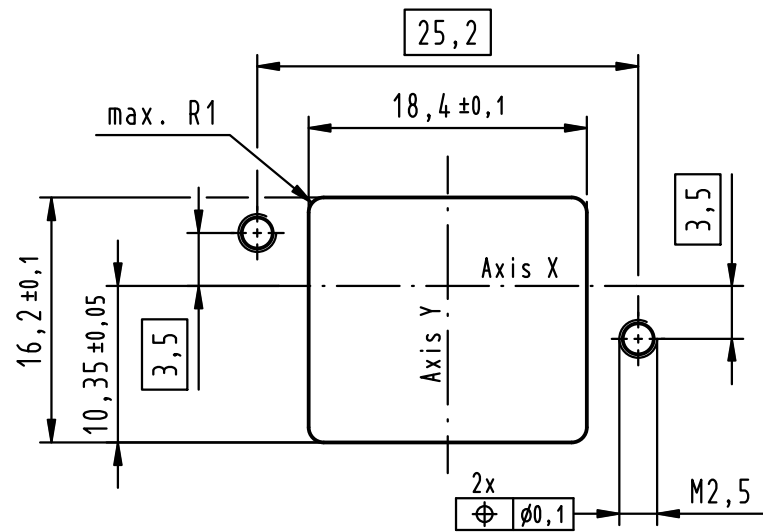
USB 2.0 type A



USB 2.0 type A



Panel Cutting



further information see: DS 09 45 623 02 02

① Screwing 2x M2,5 screws between 0,3 - 0,5Nm, screw acc. to ISO 4762 order please separately

References A, B and C acc. to USB specification 2.0, www.usb.org

loading-plan

V Bus	1	————	1
D-	2	————	2
D+	3	————	3
GND	4	————	4
Shield	Shell	————	Shell

Connector pitch on panel:
Axis X = 27mm and Axis Y = 21mm

02	1	USB 2.0 HIFF Bulkhead coupler type A-A	09 45 545 1901													
01	1	HPP housing compact	09 45 545 0028													
pos.	number	description	part-number													
		Techn. Character.	Nicht tolerierte Maß/Free size tolerances													
All Dimensions in mm Original Size DIN A 3		<table border="1"> <tr> <td></td> <td>Dat.</td> <td>Name</td> <td rowspan="4">Maßstab/Scale 2:1</td> </tr> <tr> <td>Detail.</td> <td>02.05.11</td> <td>HL.</td> </tr> <tr> <td>Insp.</td> <td>02.05.11</td> <td>Lue.</td> </tr> <tr> <td>Stand.</td> <td></td> <td></td> </tr> </table>		Dat.	Name	Maßstab/Scale 2:1	Detail.	02.05.11	HL.	Insp.	02.05.11	Lue.	Stand.			HARTING PushPull Compact panel feed through USB 2.0 Type A
	Dat.	Name	Maßstab/Scale 2:1													
Detail.	02.05.11	HL.														
Insp.	02.05.11	Lue.														
Stand.																
36124			TB 09 45 245 1902													
Mod.	Dat.	Name	Sub.													

Blatt/ page