



Chipsmall Limited consists of a professional team with an average of over 10 year of expertise in the distribution of electronic components. Based in Hongkong, we have already established firm and mutual-benefit business relationships with customers from,Europe,America and south Asia,supplying obsolete and hard-to-find components to meet their specific needs.

With the principle of “Quality Parts,Customers Priority,Honest Operation,and Considerate Service”,our business mainly focus on the distribution of electronic components. Line cards we deal with include Microchip,ALPS,ROHM,Xilinx,Pulse,ON,Everlight and Freescale. Main products comprise IC,Modules,Potentiometer,IC Socket,Relay,Connector.Our parts cover such applications as commercial,industrial, and automotives areas.

We are looking forward to setting up business relationship with you and hope to provide you with the best service and solution. Let us make a better world for our industry!



Contact us

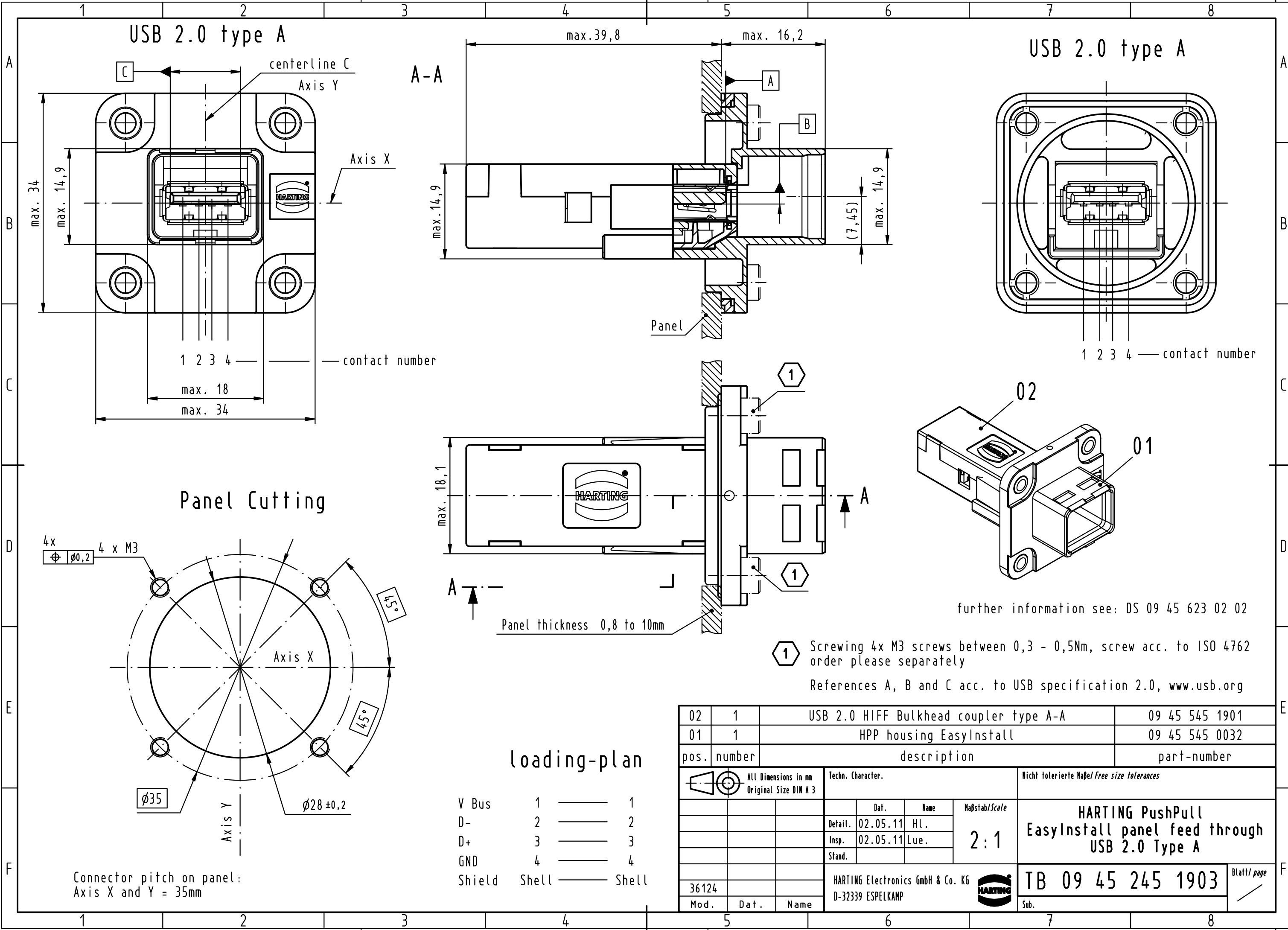
Tel: +86-755-8981 8866 Fax: +86-755-8427 6832

Email & Skype: info@chipsmall.com Web: www.chipsmall.com

Address: A1208, Overseas Decoration Building, #122 Zhenhua RD., Futian, Shenzhen, China



Alle Rechte vorbehalten/ All rights reserved



USB 2.0 type A

USB 2.0 type A

Panel Cutting

loading-plan

V Bus	1	—	1
D-	2	—	2
D+	3	—	3
GND	4	—	4
Shield	Shell	—	Shell

① Screwing 4x M3 screws between 0,3 - 0,5Nm, screw acc. to ISO 4762 order please separately

References A, B and C acc. to USB specification 2.0, www.usb.org

further information see: DS 09 45 623 02 02

02	1	USB 2.0 HIFF Bulkhead coupler type A-A	09 45 545 1901													
01	1	HPP housing EasyInstall	09 45 545 0032													
pos.	number	description	part-number													
		All Dimensions in mm Original Size DIN A 3	Techn. Character.													
			<table border="1"> <tr> <td></td> <td>Dat.</td> <td>Name</td> <td rowspan="4">Maßstab/Scale 2:1</td> </tr> <tr> <td></td> <td>Detail.</td> <td>02.05.11 HL.</td> </tr> <tr> <td></td> <td>Insp.</td> <td>02.05.11 Lue.</td> </tr> <tr> <td></td> <td>Stand.</td> <td></td> </tr> </table>		Dat.	Name	Maßstab/Scale 2:1		Detail.	02.05.11 HL.		Insp.	02.05.11 Lue.		Stand.	
	Dat.	Name	Maßstab/Scale 2:1													
	Detail.	02.05.11 HL.														
	Insp.	02.05.11 Lue.														
	Stand.															
			Nicht tolerierte Maß/Free size tolerances													
			<p align="center">HARTING PushPull EasyInstall panel feed through USB 2.0 Type A</p>													
36124			<p align="center">TB 09 45 245 1903</p>													
Mod.	Dat.	Name														
		HARTING Electronics GmbH & Co. KG D-32339 ESPELKAMP	<p align="center">Sub.</p>													
			Blatt/ page													

Connector pitch on panel:
Axis X and Y = 35mm