



Chipsmall Limited consists of a professional team with an average of over 10 year of expertise in the distribution of electronic components. Based in Hongkong, we have already established firm and mutual-benefit business relationships with customers from,Europe,America and south Asia,supplying obsolete and hard-to-find components to meet their specific needs.

With the principle of "Quality Parts,Customers Priority,Honest Operation,and Considerate Service",our business mainly focus on the distribution of electronic components. Line cards we deal with include Microchip,ALPS,ROHM,Xilinx,Pulse,ON,Everlight and Freescale. Main products comprise IC,Modules,Potentiometer,IC Socket,Relay,Connector.Our parts cover such applications as commercial,industrial, and automotives areas.

We are looking forward to setting up business relationship with you and hope to provide you with the best service and solution. Let us make a better world for our industry!



## Contact us

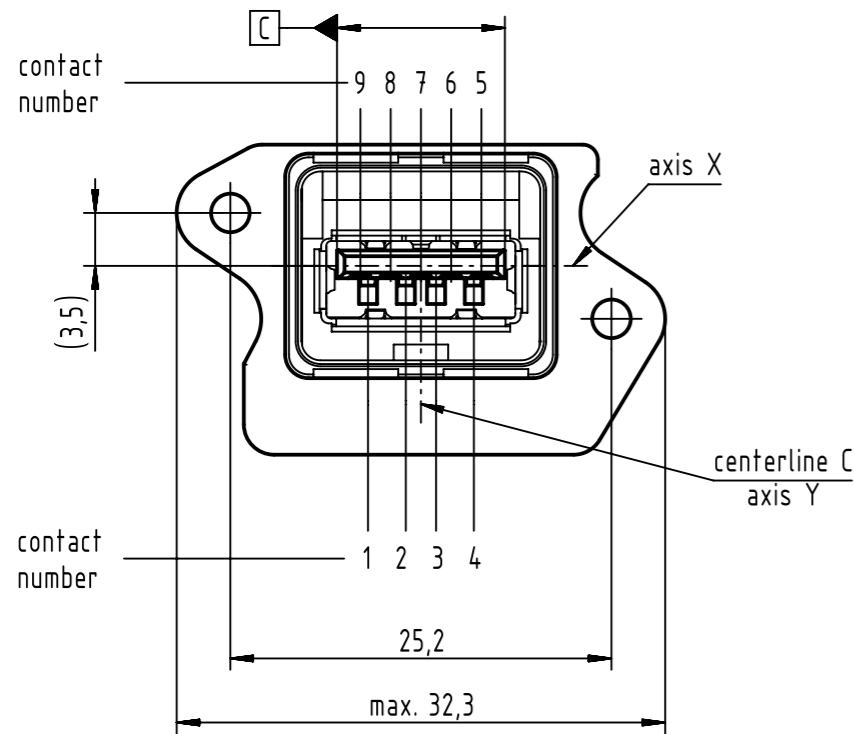
Tel: +86-755-8981 8866 Fax: +86-755-8427 6832

Email & Skype: info@chipsmall.com Web: www.chipsmall.com

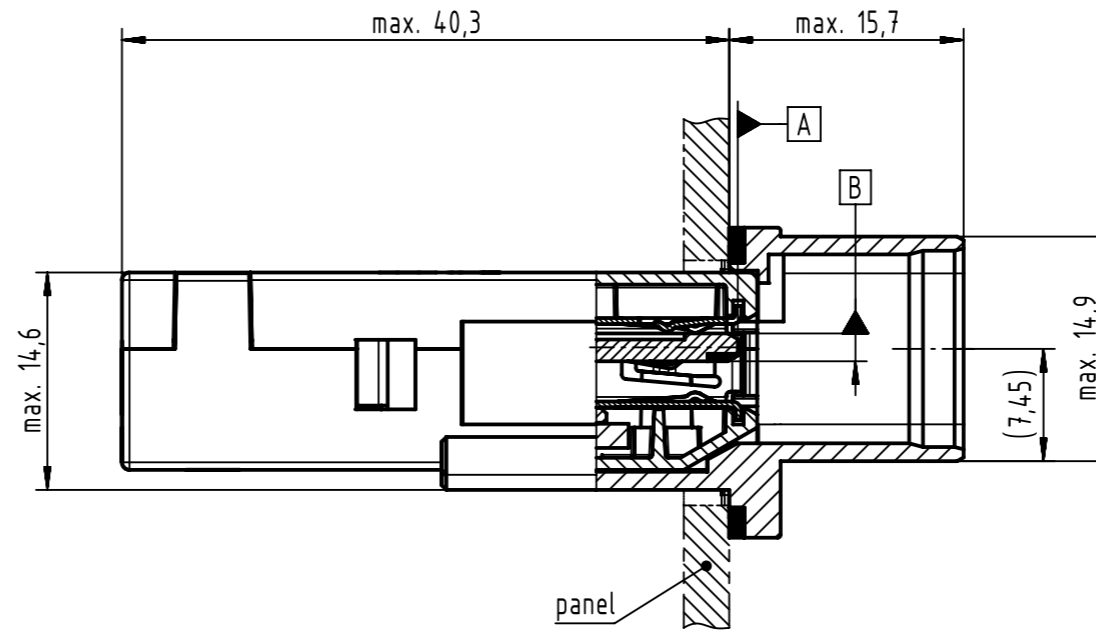
Address: A1208, Overseas Decoration Building, #122 Zhenhua RD., Futian, Shenzhen, China



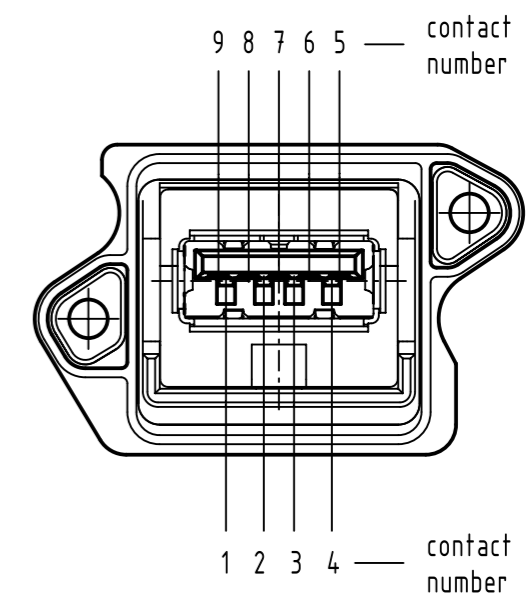
# USB 3.0 type A



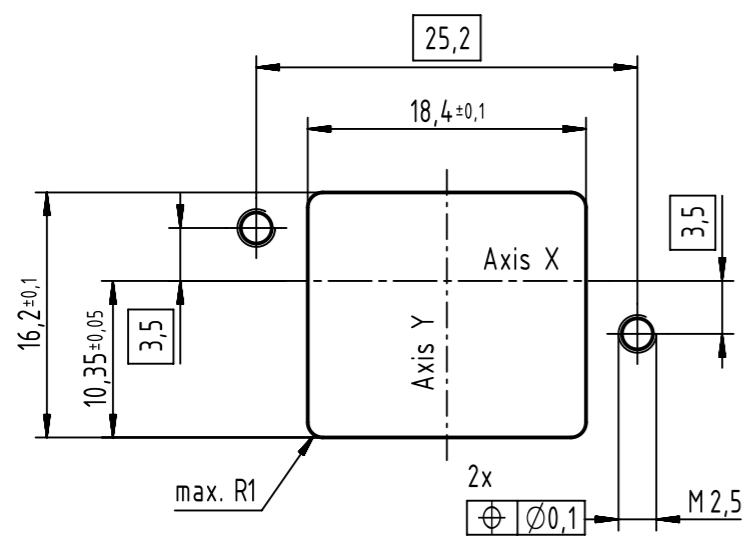
# A-A



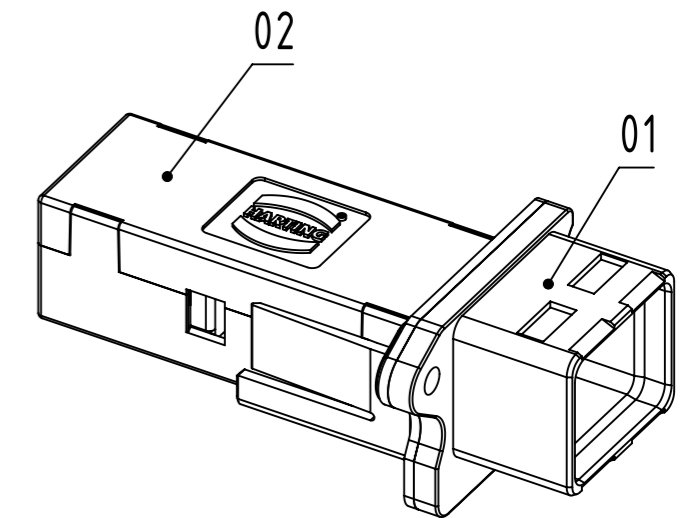
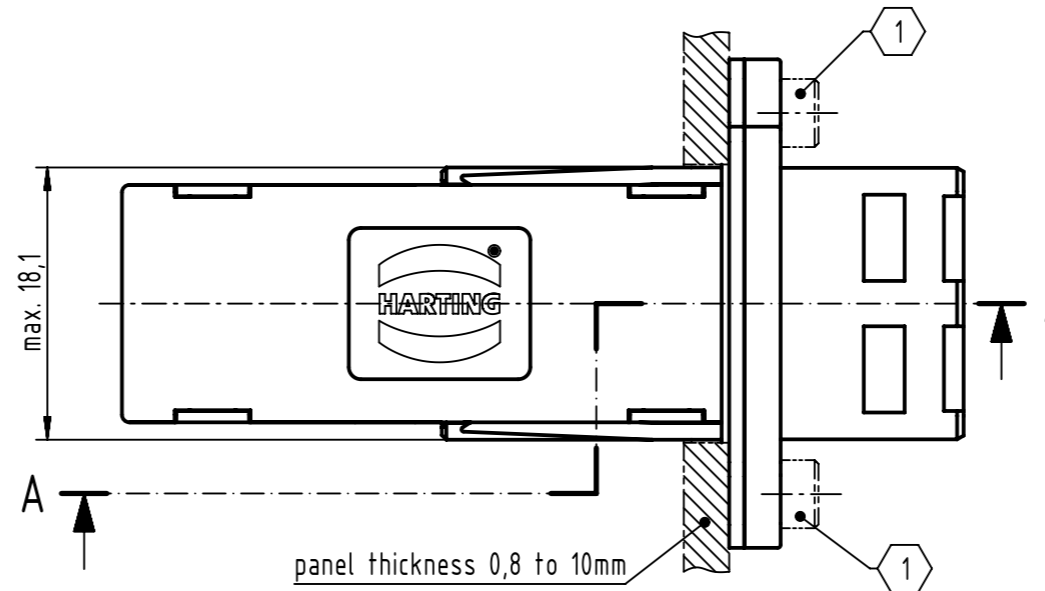
# USB 3.0 type A



# panel cutting



connector pitch on panel:  
axis X = 27mm and axis Y = 21mm



# loading-plan

|            |       |       |
|------------|-------|-------|
| V Bus      | 1     | 1     |
| D-         | 2     | 2     |
| D+         | 3     | 3     |
| GND        | 4     | 4     |
| StdA_SSRX- | 5     | 5     |
| StdA_SSRX+ | 6     | 6     |
| GND_DRAIN  | 7     | 7     |
| StdA_SSTX- | 8     | 8     |
| StdA_SSTX+ | 9     | 9     |
| Shield     | Shell | Shell |

further information see: DS 09456230202

① screwing 2x M2,5 screws between 0,3 - 0,5Nm, screw acc. to ISO 4762  
order please separately  
references A, B and C acc. to USB specification 3.0, www.usb.org

|   |        |  |  |
|---|--------|--|--|
| 02  | 1      | USB 3.0 HIFF Bulkhead coupler type A-A   | 09455451902  |
| 01  | 1      | HARTING PushPull housing Compact   | 09455450028  |
| pos.  | number | description  | part-number  |
|   |        | All Dimensions in mm<br>Original Size DIN A3   | Scale 2:1<br>Free size tol.  |
|   |        | Ref.<br>Sub. TB 09 45 245 1904 Mod: 36124 14.02.2012                                 |  |
|   |        | All rights reserved<br>Department EC PD - DE   | Created by HASSE<br>Inspected by LUETTERMANN<br>Standardisation HOFFMANN<br>Date 2013-06-28<br>State Final Release |
| HARTING Electronics GmbH<br>D-32339 Espelkamp |        | Title HPP V4 PFT Compact style USB3.0 type A, 2 x jack<br>Type TB Number 09452451904 |  |
|   |        | Doc-Key / ECM-Nr.<br>100220659/UGD/018/A<br>50000063753                              | Rev. A Page 1/1  |