



Chipsmall Limited consists of a professional team with an average of over 10 year of expertise in the distribution of electronic components. Based in Hongkong, we have already established firm and mutual-benefit business relationships with customers from,Europe,America and south Asia,supplying obsolete and hard-to-find components to meet their specific needs.

With the principle of “Quality Parts,Customers Priority,Honest Operation,and Considerate Service”,our business mainly focus on the distribution of electronic components. Line cards we deal with include Microchip,ALPS,ROHM,Xilinx,Pulse,ON,Everlight and Freescale. Main products comprise IC,Modules,Potentiometer,IC Socket,Relay,Connector.Our parts cover such applications as commercial,industrial, and automotives areas.

We are looking forward to setting up business relationship with you and hope to provide you with the best service and solution. Let us make a better world for our industry!



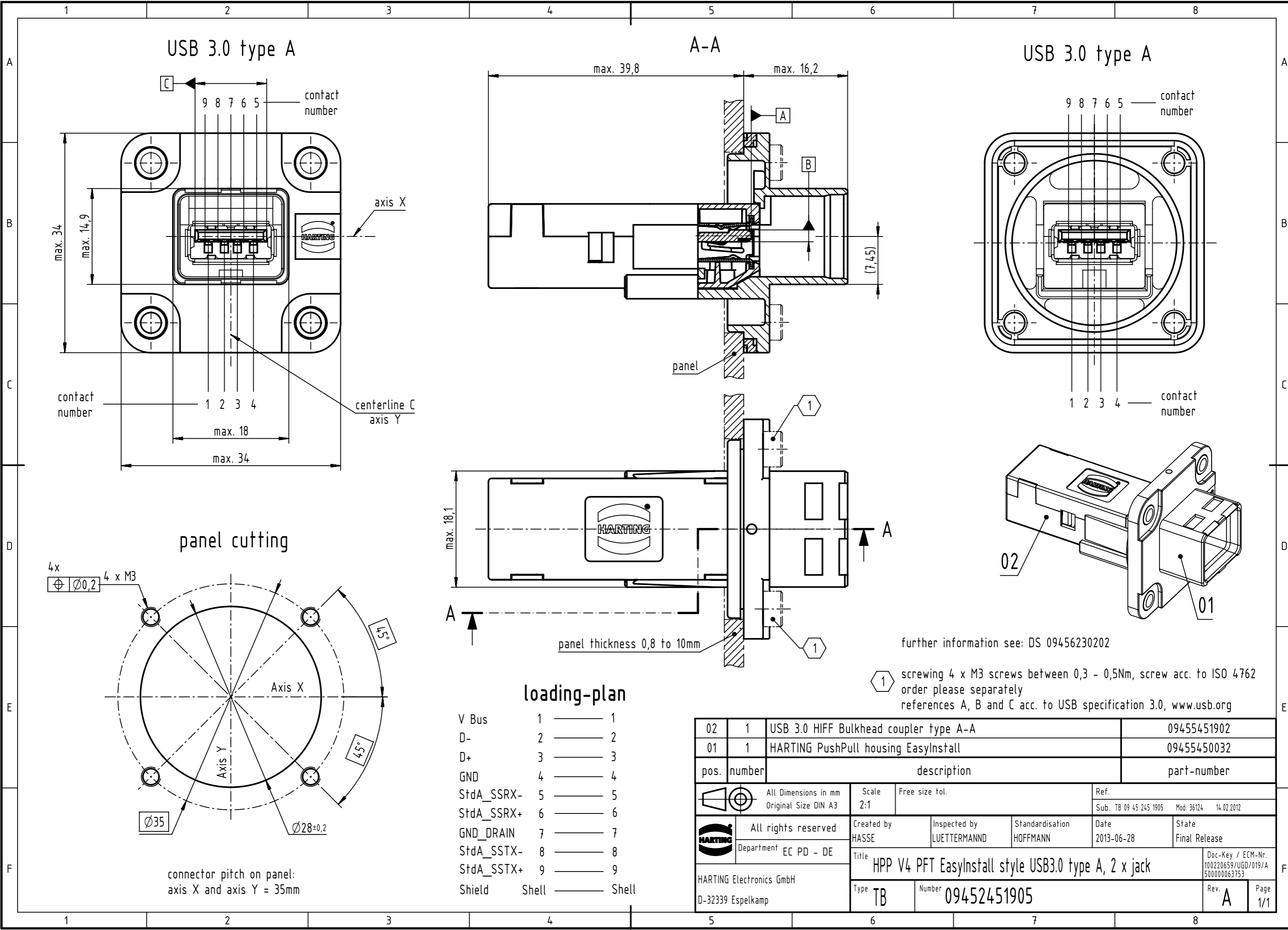
Contact us

Tel: +86-755-8981 8866 Fax: +86-755-8427 6832

Email & Skype: info@chipsmall.com Web: www.chipsmall.com

Address: A1208, Overseas Decoration Building, #122 Zhenhua RD., Futian, Shenzhen, China





USB 3.0 type A

A-A

USB 3.0 type A

panel cutting

loading-plan

further information see: DS 09456230202

1 screwing 4 x M3 screws between 0,3 - 0,5Nm, screw acc. to ISO 4762 order please separately references A, B and C acc. to USB specification 3.0, www.usb.org

V Bus	1	1
D-	2	2
D+	3	3
GND	4	4
StdA_SSRX-	5	5
StdA_SSRX+	6	6
GND_DRAIN	7	7
StdA_SSTX-	8	8
StdA_SSTX+	9	9
Shield	Shell	Shell

02	1	USB 3.0 HIFF Bulkhead coupler type A-A	09455451902
01	1	HARTING PushPull housing EasyInstall	09455450032
pos.	number	description	
		part-number	
All Dimensions in mm Original Size DIN A3		Scale 2:1	Free size tol.
All rights reserved Department EC PD - DE		Created by HASSE	Inspected by LUETTERMANN
HARTING Electronics GmbH D-32339 Espelkamp		Standardisation HOFFMANN	Date 2013-06-28
Title		State	
HPP V4 PFT EasyInstall style USB3.0 type A, 2 x jack		Final Release	
Type TB	Number 09452451905	Doc-Key / ECM-Nr. 100220659/UGD/019/A 50000063753	
		Rev. A	Page 1/1

connector pitch on panel:
axis X and axis Y = 35mm