



Chipsmall Limited consists of a professional team with an average of over 10 year of expertise in the distribution of electronic components. Based in Hongkong, we have already established firm and mutual-benefit business relationships with customers from,Europe,America and south Asia,supplying obsolete and hard-to-find components to meet their specific needs.

With the principle of “Quality Parts,Customers Priority,Honest Operation,and Considerate Service”,our business mainly focus on the distribution of electronic components. Line cards we deal with include Microchip,ALPS,ROHM,Xilinx,Pulse,ON,Everlight and Freescale. Main products comprise IC,Modules,Potentiometer,IC Socket,Relay,Connector.Our parts cover such applications as commercial,industrial, and automotives areas.

We are looking forward to setting up business relationship with you and hope to provide you with the best service and solution. Let us make a better world for our industry!



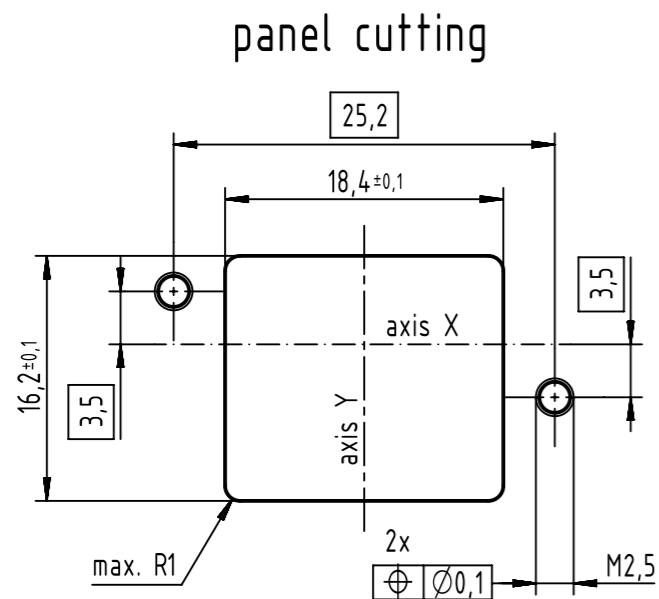
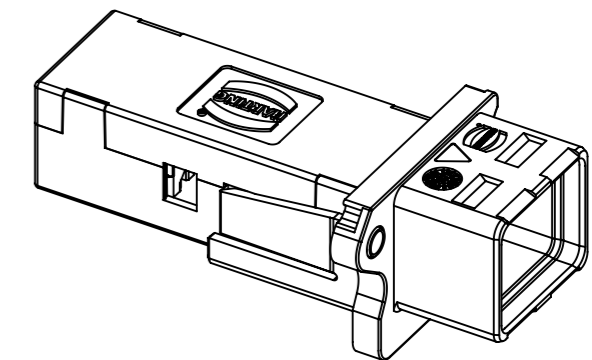
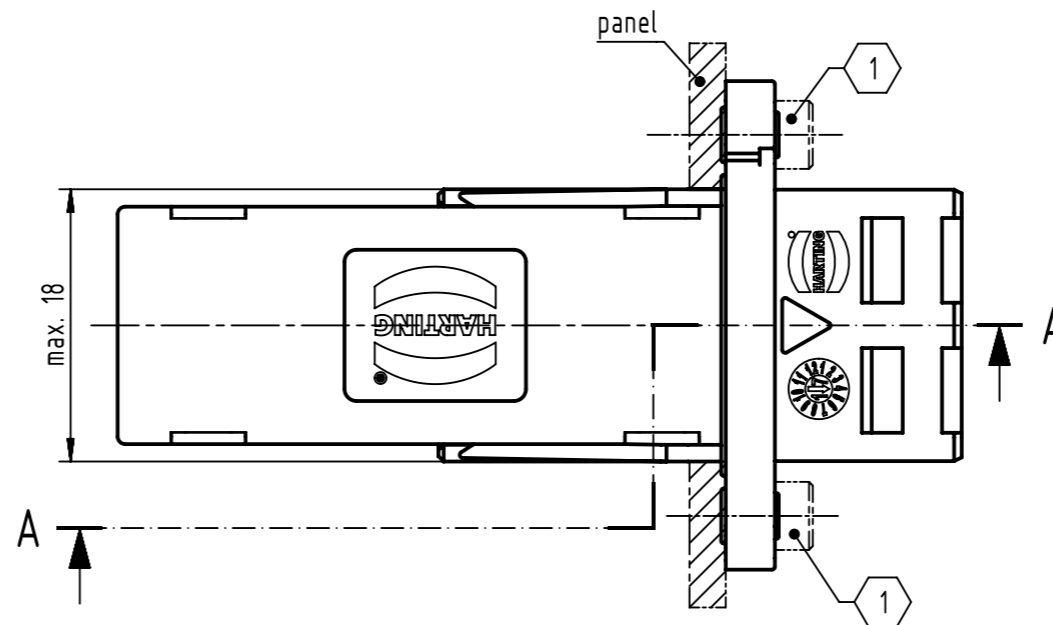
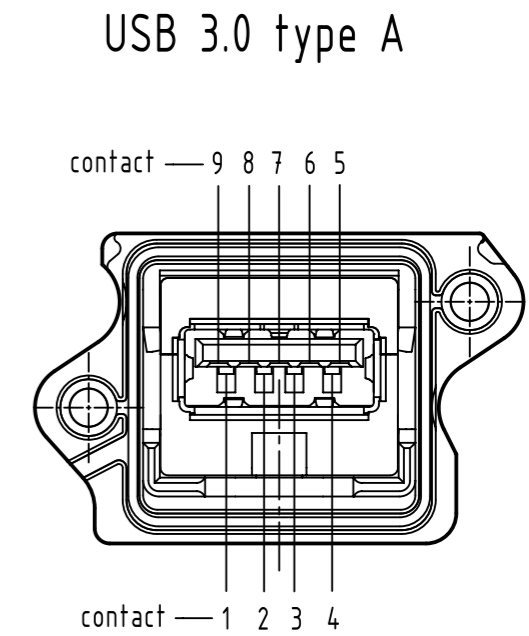
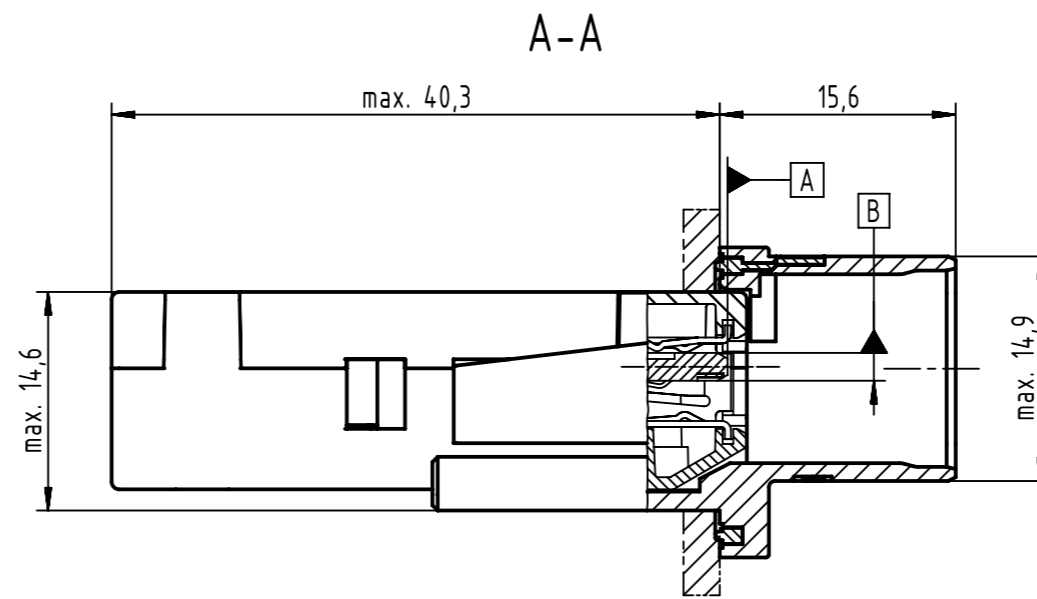
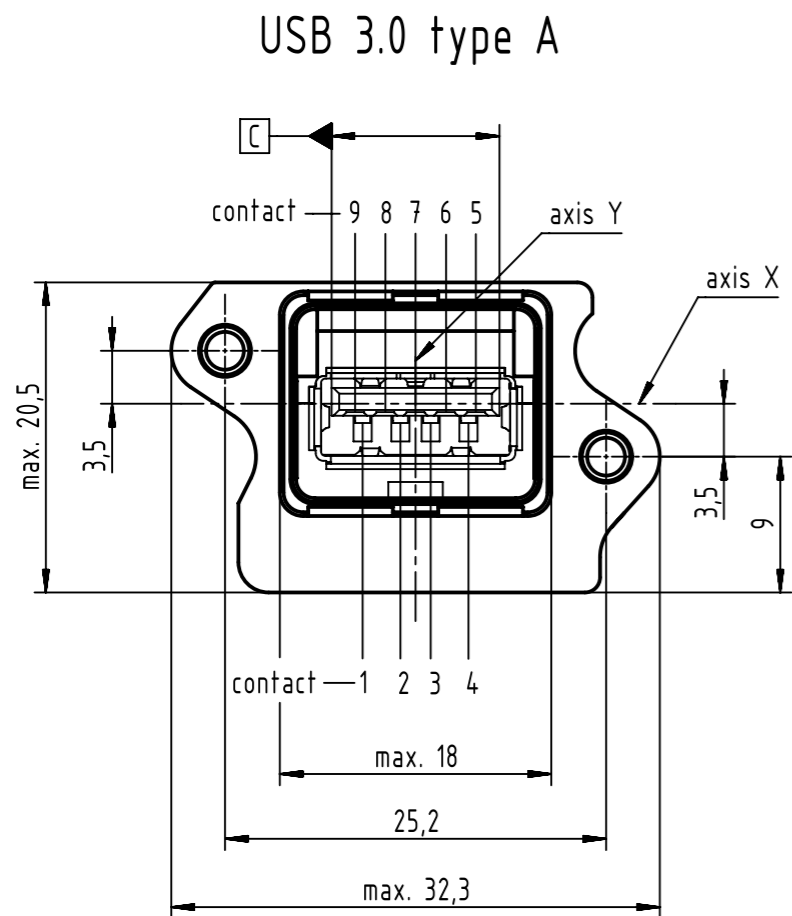
Contact us

Tel: +86-755-8981 8866 Fax: +86-755-8427 6832

Email & Skype: info@chipsmall.com Web: www.chipsmall.com

Address: A1208, Overseas Decoration Building, #122 Zhenhua RD., Futian, Shenzhen, China





connector pitch on panel:
axis X = 27mm and axis Y = 21mm

panel thickness = max. 3.5mm
no limit with pre-assembled
USB Adapter

loading-plan

V Bus	1	1
D-	2	2
D+	3	3
GND	4	4
StdA_SSRX-	5	5
StdA_SSRX+	6	6
GND_DRAIN	7	7
StdA_SSTX-	8	8
StdA_SSTX+	9	9
Shield	Shell	Shell

1 2x M2.5; screws acc. to ISO 4762;
please order separately; bolting torque 0.3Nm - 0.5Nm

references A, B and C acc. to USB specification 3.0 , www.usb.org

further information see: DS 09456230202

	All Dimensions in mm Original Size DIN A3	Scale 2:1	Free size tol.	Ref.
	All rights reserved Department EC PD - DE	Created by HASELOH	Inspected by LUECKEMEIERM	Standardisation HOFFMANN
HARTING Electronics GmbH D-32339 Espelkamp	Title HARTING PushPull V4 Compact Housing with USB 3.0 type A			Doc-Key / ECM-Nr. 100671794/UGD/001/B 500000117442
	Type TB	Number 09452451930	Date 2017-04-04	State Final Release
				Rev. B Page 1/1