



Chipsmall Limited consists of a professional team with an average of over 10 year of expertise in the distribution of electronic components. Based in Hongkong, we have already established firm and mutual-benefit business relationships with customers from,Europe,America and south Asia,supplying obsolete and hard-to-find components to meet their specific needs.

With the principle of “Quality Parts,Customers Priority,Honest Operation,and Considerate Service”,our business mainly focus on the distribution of electronic components. Line cards we deal with include Microchip,ALPS,ROHM,Xilinx,Pulse,ON,Everlight and Freescale. Main products comprise IC,Modules,Potentiometer,IC Socket,Relay,Connector.Our parts cover such applications as commercial,industrial, and automotives areas.

We are looking forward to setting up business relationship with you and hope to provide you with the best service and solution. Let us make a better world for our industry!



Contact us

Tel: +86-755-8981 8866 Fax: +86-755-8427 6832

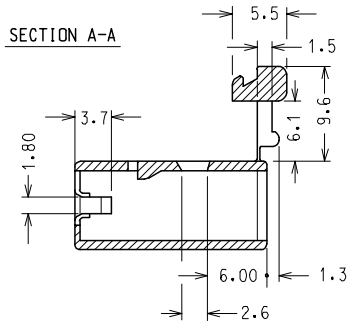
Email & Skype: info@chipsmall.com Web: www.chipsmall.com

Address: A1208, Overseas Decoration Building, #122 Zhenhua RD., Futian, Shenzhen, China

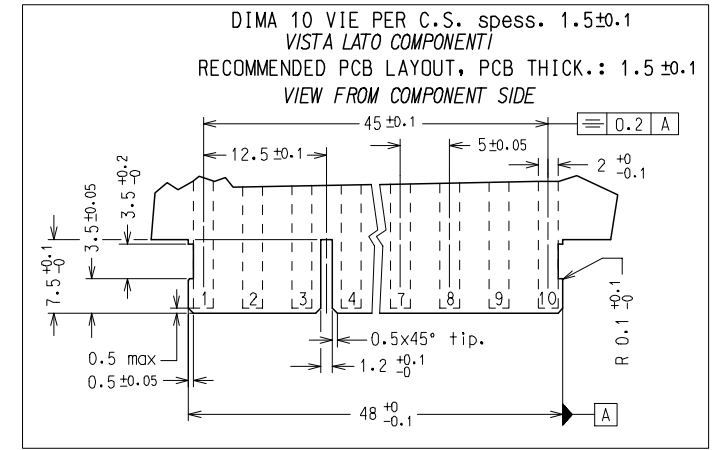
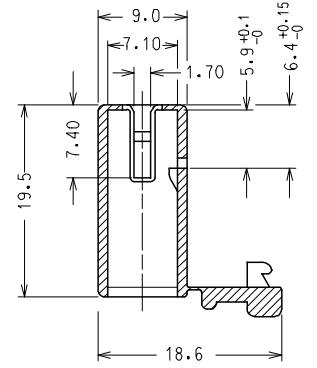


10 9 8 7 6 5 4 3 2 1

SECTION A-A



SECTION B-B



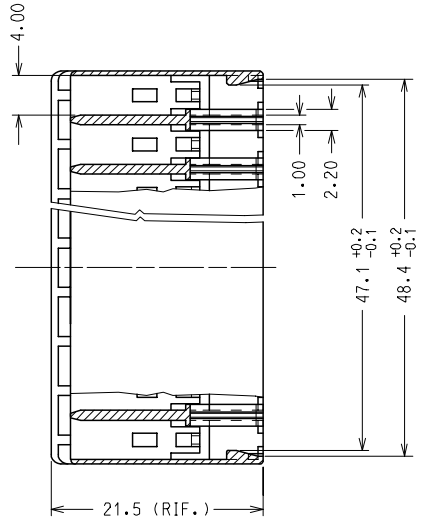
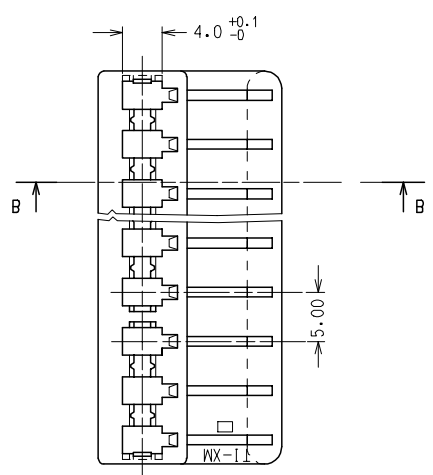
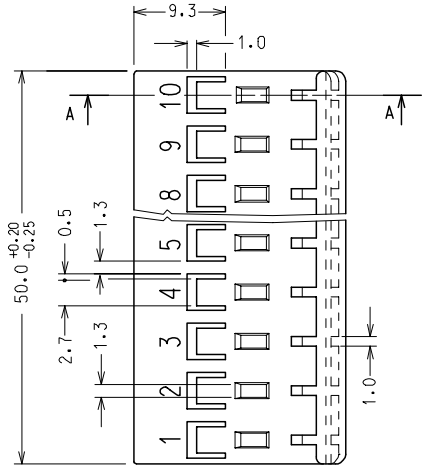
NOTA: LE DIMENSIONI VANNO MISURATE CON CORPI STABILIZZATI. (AUMENTO IN PESO DEL 2.7 %)

NOTE: PARTS SHALL BE DIMENSIONALLY CHECKED AFTER ATTAINING EQUILIBRIUM CONDITIONS E.G. 2.7 % INCREASE IN WEIGHT FOR HUMIDITY ABSORPTION FROM DRY STATUS.

CARATTERISTICHE PRODOTTO SECONDO PS-94529 PRODUCT CHARACTERISTICS ACCORDING TO PS-94529 E

CONFEZIONE: 2200 pz. IN SCATOLA PACKAGING: 2200 pcs IN CARTON BOX

CODICE P/N	MATERIAL
94529-9110	NYLON 6.6 NATURAL UL 94 V2 GWT 850 °C
94529-7110	PA 6.6 NATURAL UL94 V0
94529-4110	NYLON 6.6 GWT 750 °C sec. IEC 60335-1 TEST METHOD IEC 60695-2-11 NATURAL



SPQ: 2200 pz.

Descr. Std: HSG FOR FORK TERMINAL 10 CKT

EC NO: Z2007-0038
 DRWN: SBARBIER2006/09/20
 CHKD: RSANDAN2006/09/20
 APPR: FBISELLO 2006/09/25
 A5

REV	DESCRIPTION
4	QUALITY SYMBOLS
3	DESCRIPTION

GENERAL TOLERANCES (UNLESS SPECIFIED)	
mm	INCH
4 PLACES ± ---	± ---
3 PLACES ± ---	± ---
2 PLACES ± 0.10	± ---
1 PLACE ± 0.2	± ---
ANGULAR ± 2 °	
DRAFT WHERE APPLICABLE MUST REMAIN WITHIN DIMENSIONS	

SCALE	DESIGN UNITS
2:1	METRIC
DIMENSION STYLE	
MM ONLY	
DRAWN BY	DATE
FGOTTARD	1999/01/11
CHECKED BY	DATE
SSORATO	1999/01/11
APPROVED BY	DATE
RMARTUCC	1999/01/11

FIRST ANGLE PROJECTION		REVISE ON CAD ONLY
TITLE		
10 CKT HOUSING FOR STRAIGHT FORK TERMINAL		
MOLEX MOLEX INCORPORATED		
MATERIAL NO.	DOCUMENT NO.	SHEET NO.
SEE TABLE	SD-94529-021	1 OF 1
THIS DRAWING CONTAINS INFORMATION THAT IS PROPRIETARY TO MOLEX INCORPORATED AND SHOULD NOT BE USED WITHOUT WRITTEN PERMISSION		