



Chipsmall Limited consists of a professional team with an average of over 10 year of expertise in the distribution of electronic components. Based in Hongkong, we have already established firm and mutual-benefit business relationships with customers from,Europe,America and south Asia,supplying obsolete and hard-to-find components to meet their specific needs.

With the principle of “Quality Parts,Customers Priority,Honest Operation,and Considerate Service”,our business mainly focus on the distribution of electronic components. Line cards we deal with include Microchip,ALPS,ROHM,Xilinx,Pulse,ON,Everlight and Freescale. Main products comprise IC,Modules,Potentiometer,IC Socket,Relay,Connector.Our parts cover such applications as commercial,industrial, and automotives areas.

We are looking forward to setting up business relationship with you and hope to provide you with the best service and solution. Let us make a better world for our industry!



Contact us

Tel: +86-755-8981 8866 Fax: +86-755-8427 6832

Email & Skype: info@chipsmall.com Web: www.chipsmall.com

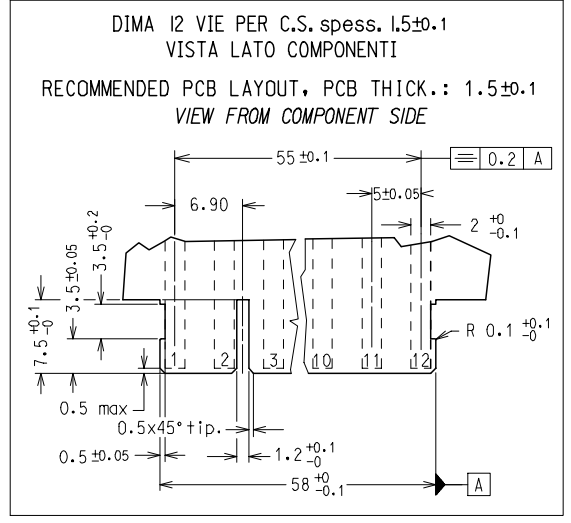
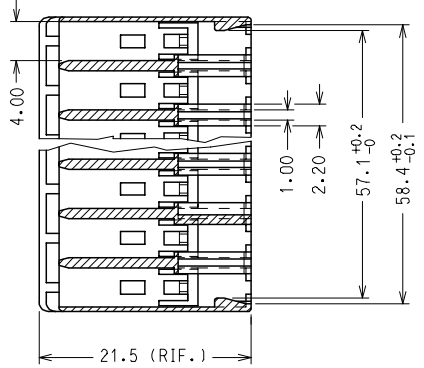
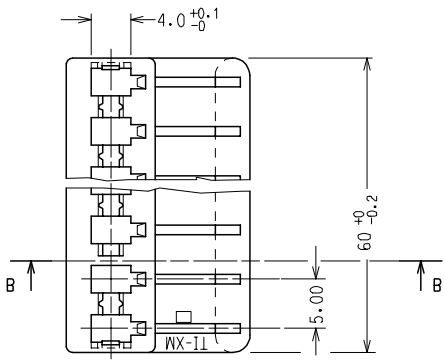
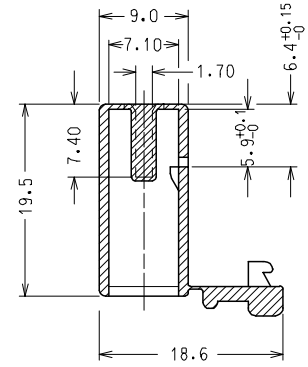
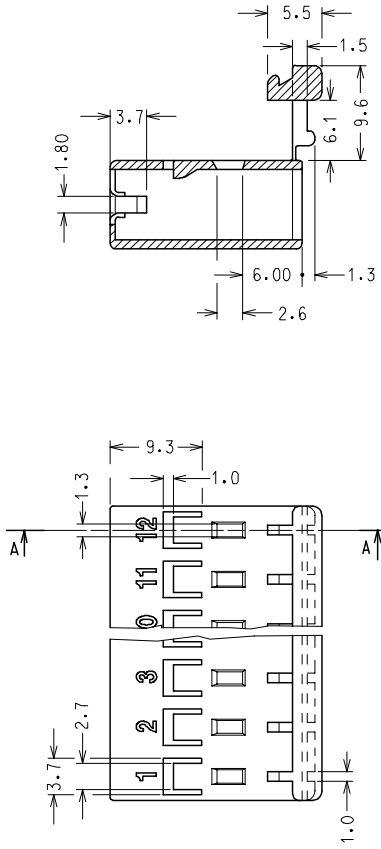
Address: A1208, Overseas Decoration Building, #122 Zhenhua RD., Futian, Shenzhen, China



10 9 8 7 6 5 4 3 2 1

SECTION A-A

SECTION B-B



| CODICE | P/N | COLORE | MATERIALE |
|------------|-----|--------------------|---------------------------------------|
| 94529-9112 | | NATURALE (NATURAL) | PA 66 UL94 V2 GWT 850°C |
| 94529-9212 | | NERO (BLACK) | |
| 94529-7112 | | NATURALE (NATURAL) | PA 66 UL94 V0 |
| 94529-4112 | | NATURALE (NATURAL) | NYLON 6.6 GWT 750 °C sec. IEC 60335-1 |
| 94529-4212 | | NERO (BLACK) | TEST METHOD IEC 60695-2-11 |

NOTA: LE DIMENSIONI VANNO MISURATE CON CORPI STABILIZZATI SECONDO NG 2301. (AUMENTO IN PESO DEL 2.7 %)

NOTE: PARTS SHALL BE DIMENSIONALLY CHECKED AFTER ATTAINING EQUILIBRIUM CONDITIONS E.G. 2% INCREASE IN WEIGHT FOR HUMIDITY ABSORPTION FROM DRY STATUS.

CARATTERISTICHE PRODOTTO SECONDO PS-94529
PRODUCT CHARACTERISTICS ACCORDING TO PS-94529 E

CONFEZIONE: 1800 pz. IN SCATOLA
PACKAGING: 1800 pcs IN CARTON BOX

SFQ: 1800 pz.

Descr. Std: HSG FOR FORK TERMINAL 12 CKT

| | | | | | | |
|---|-----------------------------|--|-------------------------|---------------------|---|--------------------|
| EC NO: Z2006-0107 DRWN: FGOTTARDI 005/12/20 CHKD: RSANDANI 005/12/20 APPR: GZUINI 2006/01/09 | QUALITY SYMBOLS | GENERAL TOLERANCES (UNLESS SPECIFIED) | SCALE 2:1 | DESIGN UNITS METRIC | FIRST ANGLE PROJECTION | REVISE ON CAD ONLY |
| | DESCRIPTION ▲ -0 ▽ -0 | mm INCH 4 PLACES ± --- ± --- 3 PLACES ± --- ± --- 2 PLACES ± 0.10 ± --- 1 PLACE ± 0.2 ± --- ANGULAR ± 2 ° | DIMENSION STYLE MM ONLY | | TITLE | |
| | | | DRAWN BY DATE | | 12 CKT HOUSING FOR STRAIGHT FORK TERMINAL | |
| | | | CHECKED BY DATE | | MOLEX MOLEX INCORPORATED | |
| B4 | REV | DRAFT WHERE APPLICABLE MUST REMAIN WITHIN DIMENSIONS | APPROVED BY DATE | MATERIAL NO. | DOCUMENT NO. | SHEET NO. |
| | | | RMARTUCC 2000/01/25 | SEE TABLE | SD-94529-012 | 1 OF 1 |

THIS DRAWING CONTAINS INFORMATION THAT IS PROPRIETARY TO MOLEX INCORPORATED AND SHOULD NOT BE USED WITHOUT WRITTEN PERMISSION

9 8 7 6 5 4 3 2 1