



Chipsmall Limited consists of a professional team with an average of over 10 year of expertise in the distribution of electronic components. Based in Hongkong, we have already established firm and mutual-benefit business relationships with customers from,Europe,America and south Asia,supplying obsolete and hard-to-find components to meet their specific needs.

With the principle of "Quality Parts,Customers Priority,Honest Operation,and Considerate Service",our business mainly focus on the distribution of electronic components. Line cards we deal with include Microchip,ALPS,ROHM,Xilinx,Pulse,ON,Everlight and Freescale. Main products comprise IC,Modules,Potentiometer,IC Socket,Relay,Connector.Our parts cover such applications as commercial,industrial, and automotives areas.

We are looking forward to setting up business relationship with you and hope to provide you with the best service and solution. Let us make a better world for our industry!



## Contact us

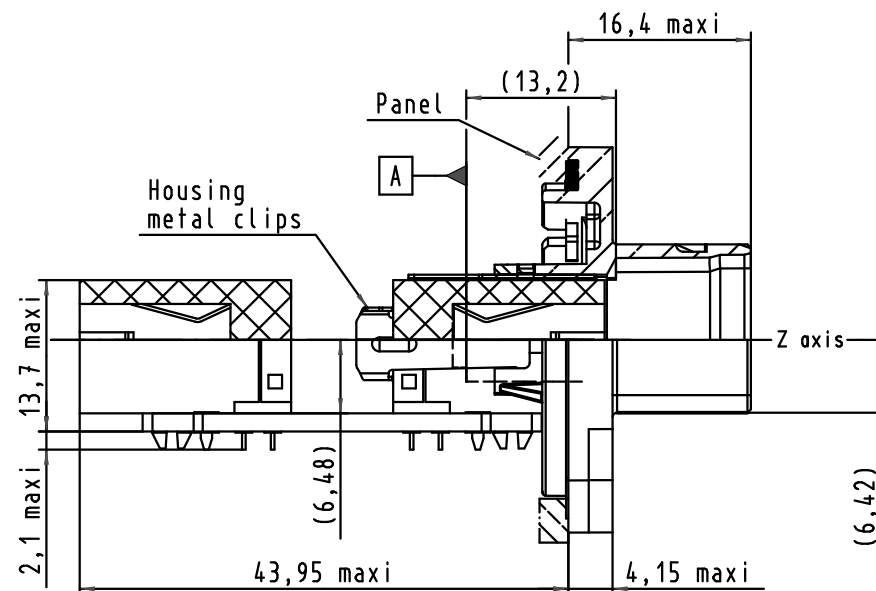
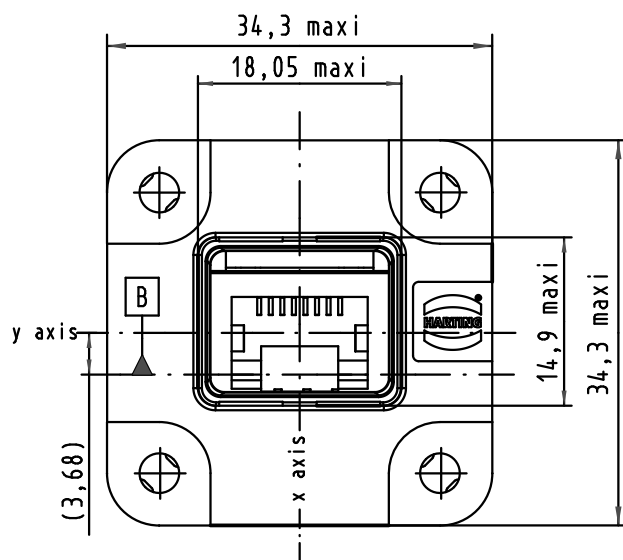
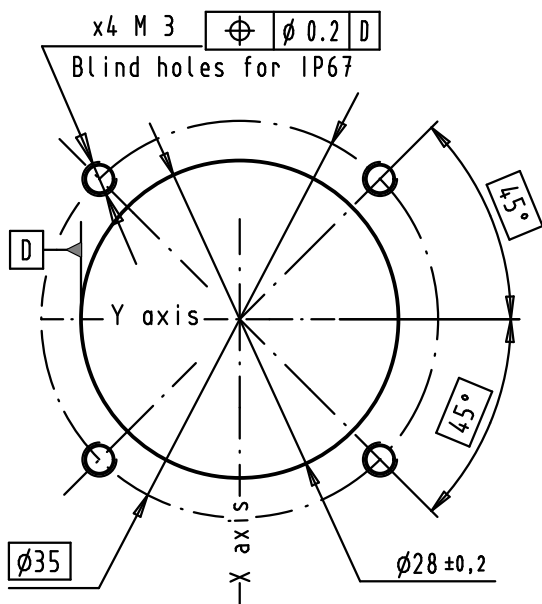
Tel: +86-755-8981 8866 Fax: +86-755-8427 6832

Email & Skype: info@chipsmall.com Web: www.chipsmall.com

Address: A1208, Overseas Decoration Building, #122 Zhenhua RD., Futian, Shenzhen, China



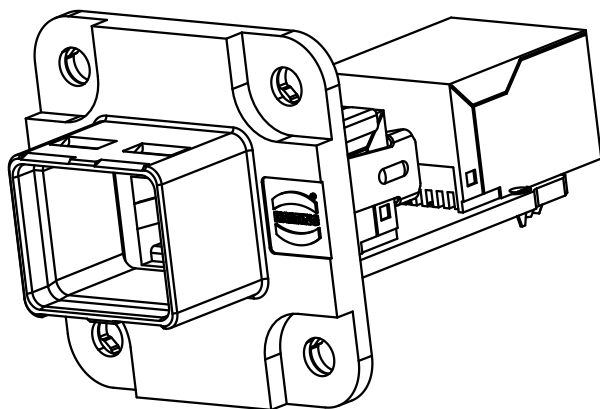
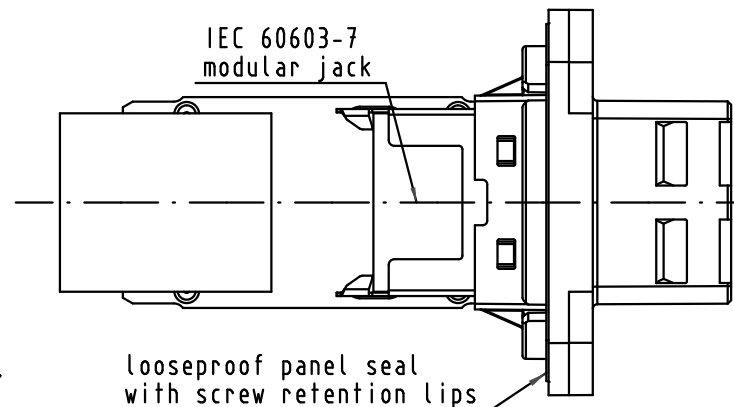
Panel cutting

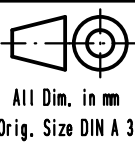


Connector pitches on panel = 35 mm  
 Receptacle mating face acc. to  
 IEC 61076-3-106 - variant 04

jack references A and B  
 according to IEC 60603-7  
 the jack is located in the housing  
 in the X,Y,Z axis after locking clips.  
 The assembled PC Board is delivered to  
 customers not assembled with the housing.

Screwing by x4 M3 screws with flat washer  
 Recommended screwing torque for IP67=0.5 N.m mini



Mod.	Dot.	Name	Detail.	Dot.	Name	 HARTING PushPull Metal RJ45 EasyInstall panel feed-through IP65/67 right angled jacks, 8 poles	Maßstab/ Scale		
			Insp.	28/02/12	JMV		All Dim. in mm Orig. Size DIN A 3	1,5:1	
36318	17/01/12	BD	Stand.					TB 09 45 295 1130 Sub.	Blatt/ Page 1 / 1
36070	08/03/10	BD	HARTING EURL F-95972 Paris						
35643	12/02/09	BD							