



Chipsmall Limited consists of a professional team with an average of over 10 year of expertise in the distribution of electronic components. Based in Hongkong, we have already established firm and mutual-benefit business relationships with customers from,Europe,America and south Asia,supplying obsolete and hard-to-find components to meet their specific needs.

With the principle of “Quality Parts,Customers Priority,Honest Operation,and Considerate Service”,our business mainly focus on the distribution of electronic components. Line cards we deal with include Microchip,ALPS,ROHM,Xilinx,Pulse,ON,Everlight and Freescale. Main products comprise IC,Modules,Potentiometer,IC Socket,Relay,Connector.Our parts cover such applications as commercial,industrial, and automotives areas.

We are looking forward to setting up business relationship with you and hope to provide you with the best service and solution. Let us make a better world for our industry!



Contact us

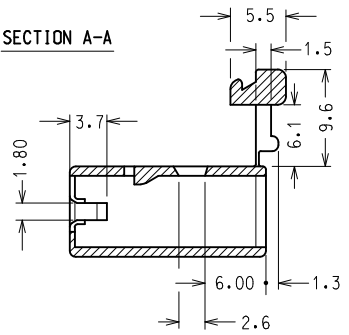
Tel: +86-755-8981 8866 Fax: +86-755-8427 6832

Email & Skype: info@chipsmall.com Web: www.chipsmall.com

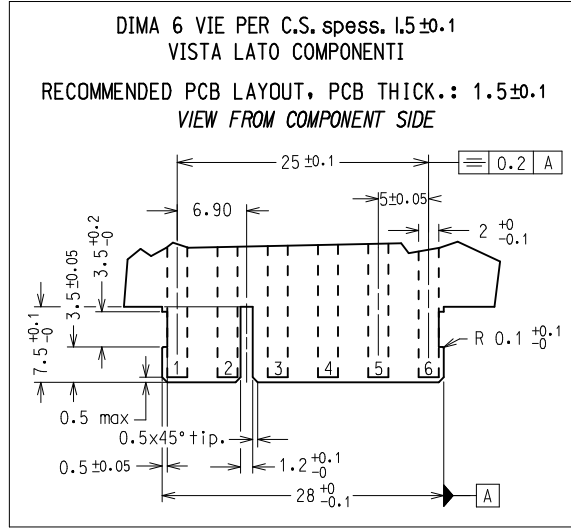
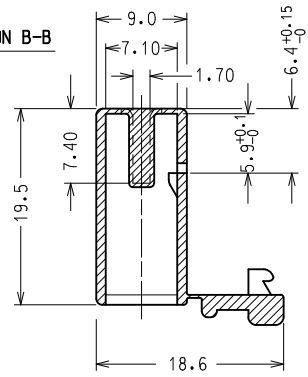
Address: A1208, Overseas Decoration Building, #122 Zhenhua RD., Futian, Shenzhen, China



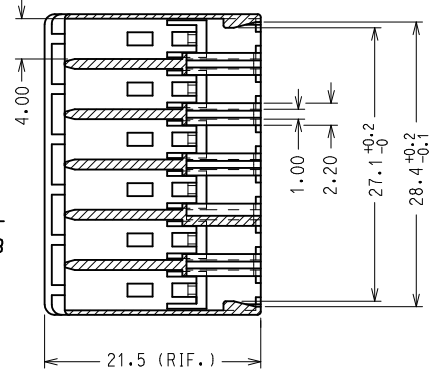
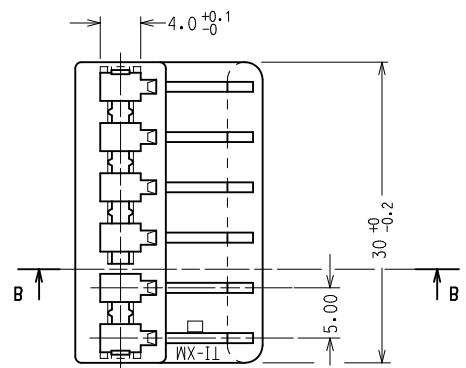
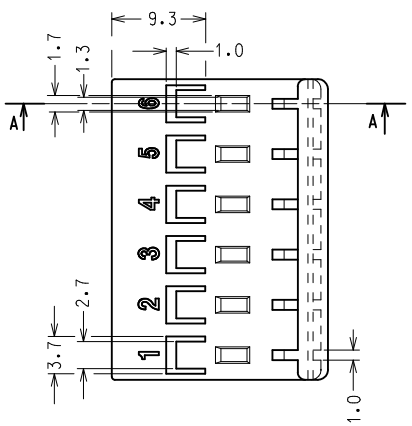
SECTION A-A



SECTION B-B



CODICE P/N	MATERIAL AND COLOR
94529-9106	NYLON 66 UL94 V2 NATURAL
94529-9206	NYLON 66 UL94 V2 BLACK
94529-7106	NYLON 66 UL94 V0 NATURAL
94529-7206	NYLON 66 UL94 V0 GREY
94529-4106	NYLON 6.6 GWT 750°C sec. IEC 60335-1 TEST METHOD IEC 60695-2-11 NATURAL
94529-4206	NYLON 6.6 GWT 750°C sec. IEC 60335-1 TEST METHOD IEC 60695-2-11 BLACK



NOTA: LE DIMENSIONI VANNO MISURATE CON CORPI STABILIZZATI SECONDO NG 2301. (AUMENTO IN PESO DEL 2.7 %)

NOTE: PARTS SHALL BE DIMENSIONALLY CHECKED AFTER ATTAINING EQUILIBRIUM CONDITIONS E.G. 27 % INCREASE IN WEIGHT FOR HUMIDITY ABSORPTION FROM DRY STATUS.

CARATTERISTICHE PRODOTTO SECONDO PS-94529
PRODUCT CHARACTERISTICS ACCORDING TO PS-94529 E

CONFEZIONE: 2000 pz. IN SCATOLA
PACKAGING: 2000 pcs IN CARTON BOX

SPQ: 2000 pz. Descr. Std: HSG FOR FORK TERMINAL 6 CKT

EC NO: Z2006-0051 DRWN: FGOTTARD 2005/10/12 CHKD: RSANDANI 2005/10/12 APPR: GZUJIN 2005/10/14	QUALITY SYMBOLS	GENERAL TOLERANCES (UNLESS SPECIFIED)	SCALE 2:1	DESIGN UNITS METRIC	FIRST ANGLE PROJECTION	REVISE ON CAD ONLY	
	▲ = 0 ▽ = 0	mm	INCH	DIMENSION STYLE MM ONLY		TITLE 6 CKT HOUSING FOR STRAIGHT FORK TERMINAL MOLEX INCORPORATED SEE TAB. SD-94529-008	
		4 PLACES ± --- ± ---	3 PLACES ± --- ± ---	DRAWN BY DATE	FGOTTARD 1995/10/25		
		2 PLACES ± 0.1 ± ---	1 PLACE ± 0.2 ± ---	CHECKED BY DATE	SSORATO 1995/10/25		
ANGULAR ± 2°	DRAFT WHERE APPLICABLE	APPROVED BY DATE	RMARTUCC 1995/10/25	MATERIAL NO. SEE TAB.	DOCUMENT NO. SD-94529-008		SHEET NO. 1 OF 1
A4	REV	MUST REMAIN WITHIN DIMENSIONS	THIS DRAWING CONTAINS INFORMATION THAT IS PROPRIETARY TO MOLEX INCORPORATED AND SHOULD NOT BE USED WITHOUT WRITTEN PERMISSION				A3