



Chipsmall Limited consists of a professional team with an average of over 10 year of expertise in the distribution of electronic components. Based in Hongkong, we have already established firm and mutual-benefit business relationships with customers from,Europe,America and south Asia,supplying obsolete and hard-to-find components to meet their specific needs.

With the principle of “Quality Parts,Customers Priority,Honest Operation,and Considerate Service”,our business mainly focus on the distribution of electronic components. Line cards we deal with include Microchip,ALPS,ROHM,Xilinx,Pulse,ON,Everlight and Freescale. Main products comprise IC,Modules,Potentiometer,IC Socket,Relay,Connector.Our parts cover such applications as commercial,industrial, and automotives areas.

We are looking forward to setting up business relationship with you and hope to provide you with the best service and solution. Let us make a better world for our industry!



Contact us

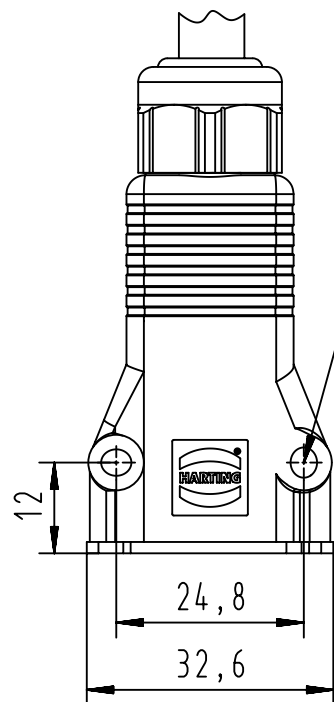
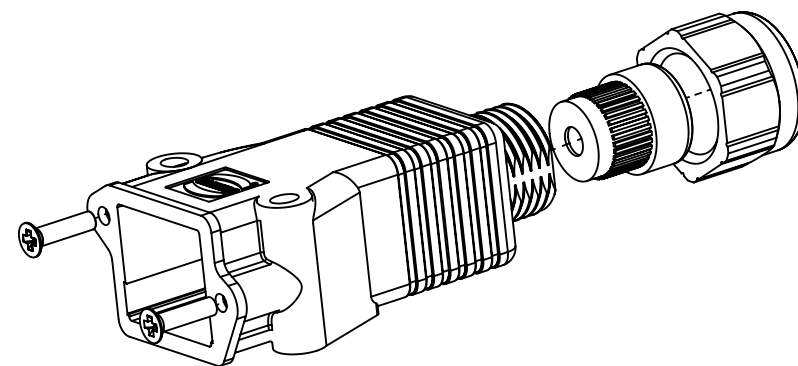
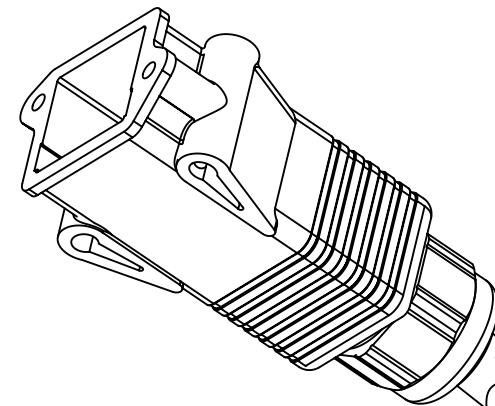
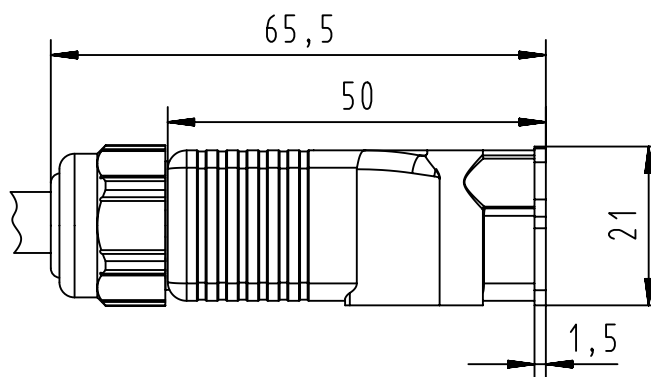
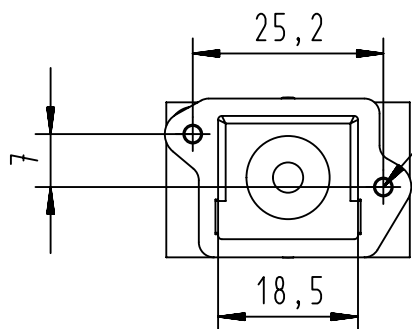
Tel: +86-755-8981 8866 Fax: +86-755-8427 6832

Email & Skype: info@chipsmall.com Web: www.chipsmall.com

Address: A1208, Overseas Decoration Building, #122 Zhenhua RD., Futian, Shenzhen, China



2X 2,5x8mm self tapping screws




2X M3 Max

Cables diameters: 6,5 to 9,5mm

Nut torque : between 2 and 4Nm

Torque of included 2 self tapping screws \varnothing 2,5X8mm: between 0,4 and 0,5Nm

	All Dimensions in mm Original Size DIN A4		Scale 1:1		Free size tol.		Ref.	
	All rights reserved		Created by MAILLARDS		Inspected by BHUTANI		Standardisation KOHLER	
Department EC PD - FR		Date 2012-07-11		State Final Release		Doc-Key / ECM-Nr. 100228781/UGD/001/B 500000053088		
HARTING Electronics GmbH D-32339 Espelkamp		Title HPP V4 cable hood 6,5-9,5mm		Type TB		Number 09453450000		Rev. B
								Page 1/1