



Chipsmall Limited consists of a professional team with an average of over 10 year of expertise in the distribution of electronic components. Based in Hongkong, we have already established firm and mutual-benefit business relationships with customers from,Europe,America and south Asia,supplying obsolete and hard-to-find components to meet their specific needs.

With the principle of “Quality Parts,Customers Priority,Honest Operation,and Considerate Service”,our business mainly focus on the distribution of electronic components. Line cards we deal with include Microchip,ALPS,ROHM,Xilinx,Pulse,ON,Everlight and Freescale. Main products comprise IC,Modules,Potentiometer,IC Socket,Relay,Connector.Our parts cover such applications as commercial,industrial, and automotives areas.

We are looking forward to setting up business relationship with you and hope to provide you with the best service and solution. Let us make a better world for our industry!



Contact us

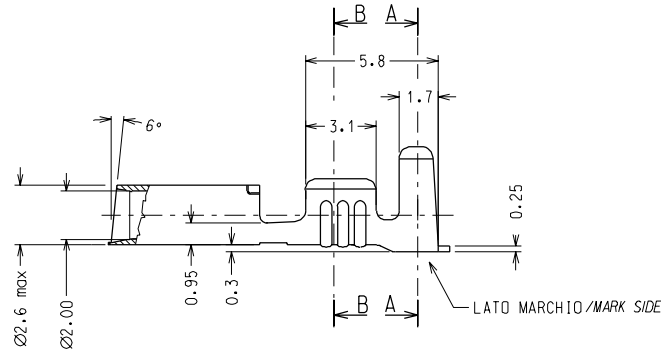
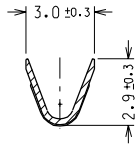
Tel: +86-755-8981 8866 Fax: +86-755-8427 6832

Email & Skype: info@chipsmall.com Web: www.chipsmall.com

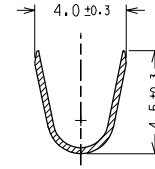
Address: A1208, Overseas Decoration Building, #122 Zhenhua RD., Futian, Shenzhen, China



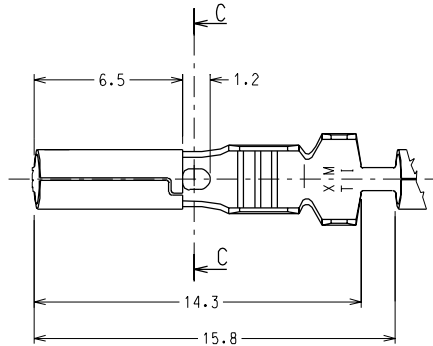
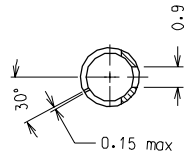
Sec. B-B



Sec. A-A



Sec. C-C



CODICE P/N	MATERIALE MATERIAL	FINITURA PLATING
94537-0100	OTTONE BRASS	GREGGIO/PLAN
94537-0101		PRESTAGNATO/PRETINNED

CONFEZIONE STANDARD:
36000 pz. in 3 bobine x scatola

STANDARD PACKING QUANTITY:
36000 pcs. in 3 reels for box

REFERENCE SPEC.: SIGNAL LUX PR 222-04-17

EC NO. Z8-111 DRWNL-SANTESSO 03-05-98 CHK: S.SORATO 03-05-98 APPRS: BARBIERI 03-05-98	QUALITY SYMBOLS	GENERAL TOLERANCES: (UNLESS SPECIFIED)		SCALE 5:1	DESIGN UNITS <input checked="" type="checkbox"/> mm <input type="checkbox"/> INCH	DIMENSIONS: <input type="checkbox"/> mm <input type="checkbox"/> INCH <input type="checkbox"/> mm <input checked="" type="checkbox"/> ONLY FIRST ANGLE PROJECTION	SHT	REV
	MAJOR M =	mm	INCH	DRAWN BY & DATE	TITLE: TERMINALE CILINDRICO FEMMINA Ø 2 CYLINDRICAL FEMALE TERMINAL Ø 2 SEZ. FILO/WIRE SECT. = 0.5-1.5 mm ² ØISOLANTE/INSUL. = 2.2-3.35 mm		MOLEX INCORPORATED SEE TABLE	DRAWING NO. SD-94537-001 SHEET NO. 1/1
	SIGNIF. S =	4 PLACES ±0.1	±	L.SANTESSO 05-06-97				
	CRITICAL C =	3 PLACES ±0.2	±	CHECKED BY & DATE				
REV	2 PLACES ±0.1	±	S.SORATO 05-06-97					
		1 PLACE ±0.2	±	APPROVED BY & DATE				
		ANGULAR: ± 2°		APPROVED BY & DATE				
		DRAFT WHERE APPLICABLE MUST REMAIN WITHIN DIMENSIONS		S.BARBIERI 05-06-97				
		THIS DRAWING CONTAINS INFORMATION THAT IS PROPRIETARY TO MOLEX INCORPORATED AND SHOULD NOT BE USED WITHOUT WRITTEN PERMISSION.		CAD FILENAME				
				94537001.DGN				