



Chipsmall Limited consists of a professional team with an average of over 10 year of expertise in the distribution of electronic components. Based in Hongkong, we have already established firm and mutual-benefit business relationships with customers from,Europe,America and south Asia,supplying obsolete and hard-to-find components to meet their specific needs.

With the principle of “Quality Parts,Customers Priority,Honest Operation,and Considerate Service”,our business mainly focus on the distribution of electronic components. Line cards we deal with include Microchip,ALPS,ROHM,Xilinx,Pulse,ON,Everlight and Freescale. Main products comprise IC,Modules,Potentiometer,IC Socket,Relay,Connector.Our parts cover such applications as commercial,industrial, and automotives areas.

We are looking forward to setting up business relationship with you and hope to provide you with the best service and solution. Let us make a better world for our industry!



## Contact us

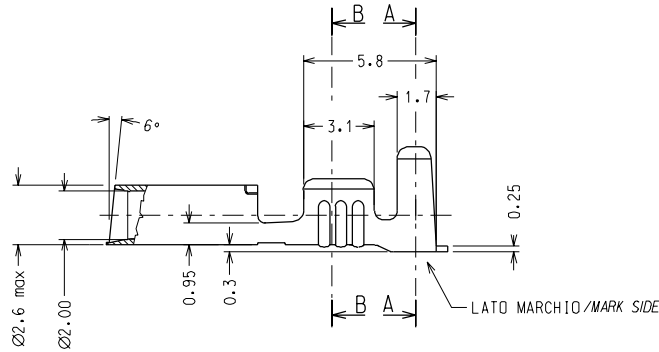
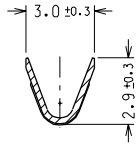
Tel: +86-755-8981 8866 Fax: +86-755-8427 6832

Email & Skype: info@chipsmall.com Web: www.chipsmall.com

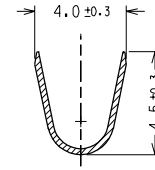
Address: A1208, Overseas Decoration Building, #122 Zhenhua RD., Futian, Shenzhen, China



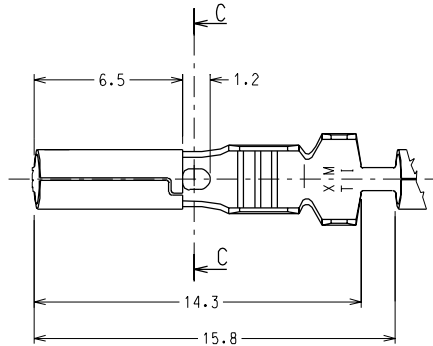
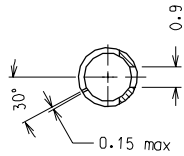
Sec. B-B



Sec. A-A



Sec. C-C



CODICE P/N	MATERIALE MATERIAL	FINITURA PLATING
94537-0100	OTTONE BRASS	GREGGIO/PLAN
94537-0101		PRESTAGNATO/PRETINNED

CONFEZIONE STANDARD:  
36000 pz. in 3 bobine x scatola

STANDARD PACKING QUANTITY:  
36000 pcs. in 3 reels for box

REFERENCE SPEC.: SIGNAL LUX PR 222-04-17

EC NO. Z8-111 DRWNL-SANTESSO 03-05-98 CHK: S.SORATO 03-05-98 APPRS: BARBIERI 03-05-98	QUALITY SYMBOLS	GENERAL TOLERANCES: (UNLESS SPECIFIED)		SCALE 5:1	DESIGN UNITS <input checked="" type="checkbox"/> mm <input type="checkbox"/> INCH	DIMENSIONS: <input type="checkbox"/> mm <input type="checkbox"/> INCH <input checked="" type="checkbox"/> mm ONLY	SHT	REV
	MAJOR M =	mm	INCH	DRAWN BY & DATE	FIRST ANGLE PROJECTION <input checked="" type="checkbox"/> <input type="checkbox"/>	TITLE: TERMINALE CILINDRICO FEMMINA Ø 2 CYLINDRICAL FEMALE TERMINAL Ø 2 SEZ. FILO/WIRE SECT. = 0.5-1.5 mm <sup>2</sup> ØISOLANTE/INSUL. = 2.2-3.35 mm		REVISE ON CAD ONLY
	SIGNIF. S =	4 PLACES ±0.1	3 PLACES ±0.2	2 PLACES ±0.1				
	CRITICAL C =	ANGULAR: ± 2°	DRAFT WHERE APPLICABLE MUST REMAIN WITHIN DIMENSIONS		CAD FILENAME	MATERIAL NO.	DRAWING NO.	SHEET NO.
REV				94537001.DGN	SEE TABLE	SD-94537-001	1/1	SIZE A3

THIS DRAWING CONTAINS INFORMATION THAT IS PROPRIETARY TO MOLEX INCORPORATED AND SHOULD NOT BE USED WITHOUT WRITTEN PERMISSION.