



Chipsmall Limited consists of a professional team with an average of over 10 year of expertise in the distribution of electronic components. Based in Hongkong, we have already established firm and mutual-benefit business relationships with customers from,Europe,America and south Asia,supplying obsolete and hard-to-find components to meet their specific needs.

With the principle of “Quality Parts,Customers Priority,Honest Operation,and Considerate Service”,our business mainly focus on the distribution of electronic components. Line cards we deal with include Microchip,ALPS,ROHM,Xilinx,Pulse,ON,Everlight and Freescale. Main products comprise IC,Modules,Potentiometer,IC Socket,Relay,Connector.Our parts cover such applications as commercial,industrial, and automotives areas.

We are looking forward to setting up business relationship with you and hope to provide you with the best service and solution. Let us make a better world for our industry!



## Contact us

Tel: +86-755-8981 8866 Fax: +86-755-8427 6832

Email & Skype: info@chipsmall.com Web: www.chipsmall.com

Address: A1208, Overseas Decoration Building, #122 Zhenhua RD., Futian, Shenzhen, China



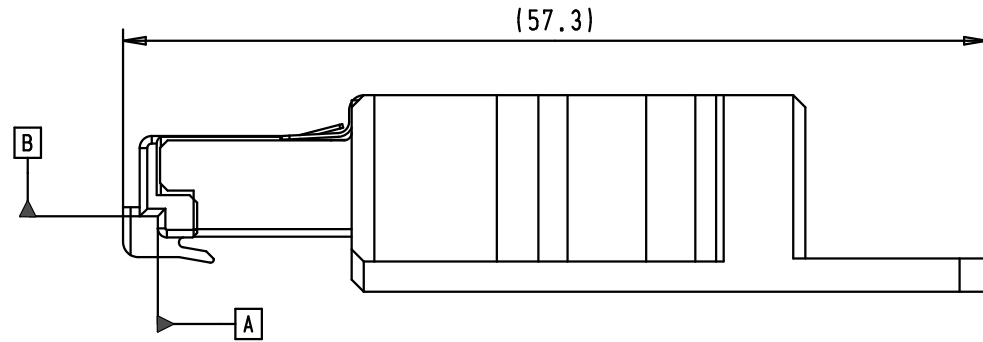
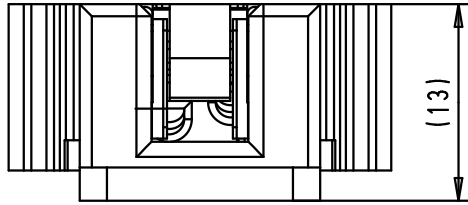
5

4

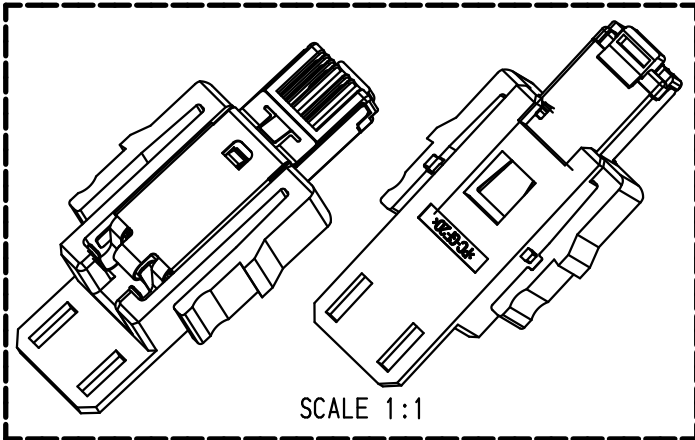
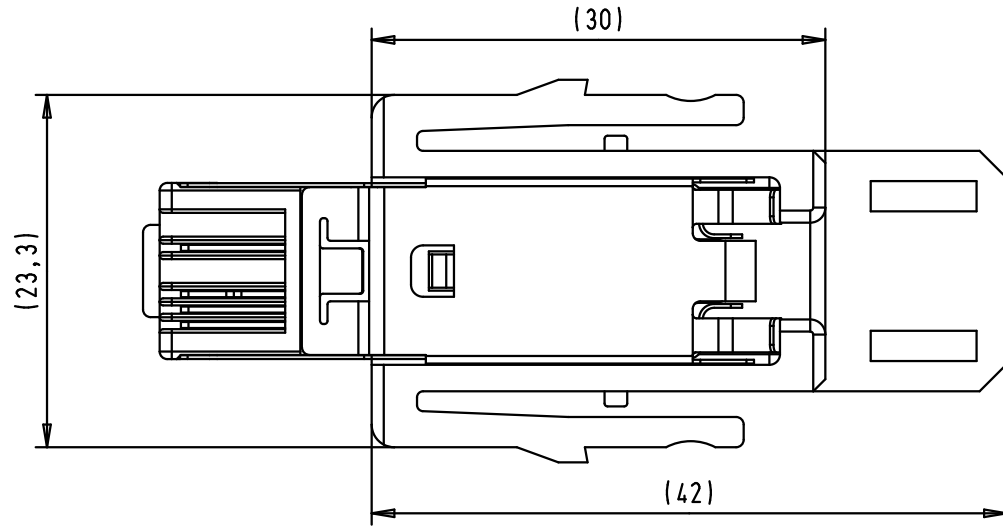
3

2

1



A AND B REFERENCE PLANS ACCORDING TO IEC 606033-7



SCALE 1:1

Data contact plating: Au 1.27µm over nickel

			Dat.	Name	<p>All Dim. in mm Orig. Size DIN A 4</p>	
		Detail.	08/12/10	AB		
		Insp.				
		Stand.				
			HARTING E.U.R.L F-95972 Paris			
Mod.	Dat.	Name				

Han-Modular RJ45  
plug set  
Cat.5 - 4 poles

Maßstab/  
Scale

2:1

TB 09 45 400 110X

Blatt/ Page

1 / 1

09 45 400 1100	Han-Modular RJ45 plug set	36307	08/12/10	AB
09 45 400 1109	Han-Modular RJ45 plug set AWG 26			

Sub.