



Chipsmall Limited consists of a professional team with an average of over 10 year of expertise in the distribution of electronic components. Based in Hongkong, we have already established firm and mutual-benefit business relationships with customers from,Europe,America and south Asia,supplying obsolete and hard-to-find components to meet their specific needs.

With the principle of “Quality Parts,Customers Priority,Honest Operation,and Considerate Service”,our business mainly focus on the distribution of electronic components. Line cards we deal with include Microchip,ALPS,ROHM,Xilinx,Pulse,ON,Everlight and Freescale. Main products comprise IC,Modules,Potentiometer,IC Socket,Relay,Connector.Our parts cover such applications as commercial,industrial, and automotives areas.

We are looking forward to setting up business relationship with you and hope to provide you with the best service and solution. Let us make a better world for our industry!



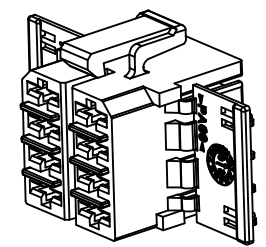
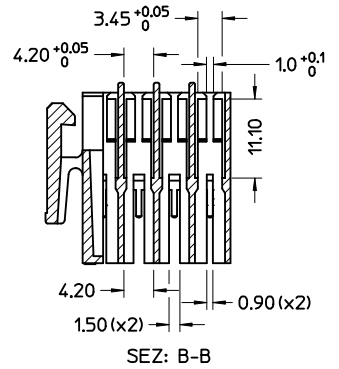
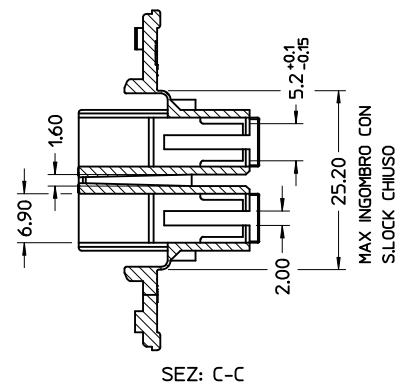
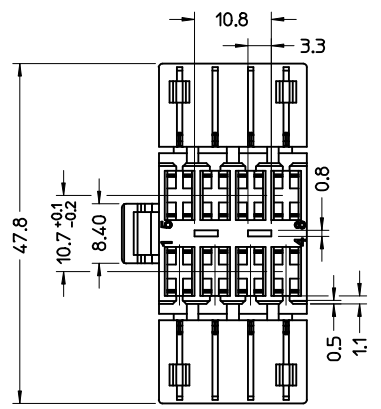
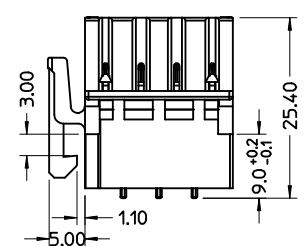
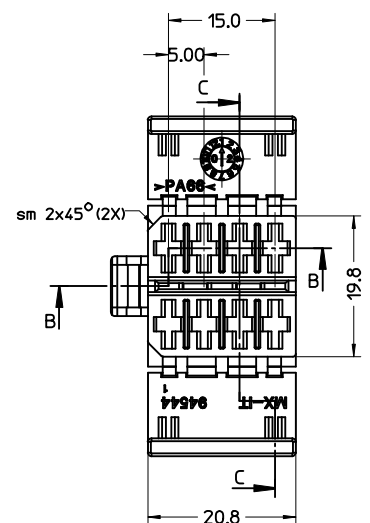
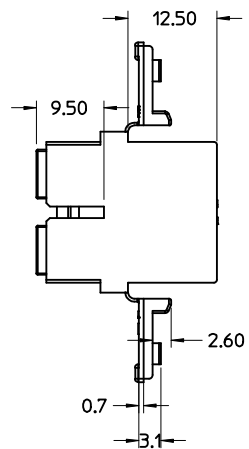
## Contact us

Tel: +86-755-8981 8866 Fax: +86-755-8427 6832

Email & Skype: info@chipsmall.com Web: www.chipsmall.com

Address: A1208, Overseas Decoration Building, #122 Zhenhua RD., Futian, Shenzhen, China





P/N	MATERIAL	FLAMMABILITY RATING TEST METHOD IEC 60695-2-11
94544-7008	PA 6.6 NATURAL	IEC 60335 - 1 REV. 4 GWT 750 °C

IMBALLO: BOX CON SACCHETTO DI NYLON  
PACKAGING: BOX WITH PLASTIC BAG

Std.Descr.: HOUSING DUAL ROW WITH LOCK 8 CKT\*

S.P.Q.: 800 pz.

IEC NO: Z2009-0066 DRWN: LSANTES2008/12/02 CHKD: LSANTES2008/12/05 APPR: GZUIN 2008/12/05	QUALITY SYMBOLS	GENERAL TOLERANCES (UNLESS SPECIFIED)	SCALE 2:1	DESIGN UNITS METRIC	FIRST ANGLE PROJECTION	REVISE ON CAD ONLY
	-0 -0	mm INCH	4 PLACES ± --- ± ---	DIMENSION STYLE MM ONLY		TITLE HOUSING 8 CKT DOPPIA FILA CON S.LOCK E AGGANCIO MOLEX INCORPORATED
		3 PLACES ± --- ± ---	DRAWN BY DATE	FGOTTARD 2001-12-20		
		2 PLACES ± 0.10 ± ---	CHECKED BY DATE	MTESTAGU 2001-12-20		
1 PLACE ± 0.2 ± ---	APPROVED BY DATE	GZUIN 2001-12-20		MATERIAL NO. 94544-7008 DOCUMENT NO. SD-94544-001 SHEET NO. 1 OF 1		
REV B2	DESCRIPTION	ANGULAR ± 2 ° DRAFT WHERE APPLICABLE MUST REMAIN WITHIN DIMENSIONS	THIS DRAWING CONTAINS INFORMATION THAT IS PROPRIETARY TO MOLEX INCORPORATED AND SHOULD NOT BE USED WITHOUT WRITTEN PERMISSION			