



Chipsmall Limited consists of a professional team with an average of over 10 year of expertise in the distribution of electronic components. Based in Hongkong, we have already established firm and mutual-benefit business relationships with customers from,Europe,America and south Asia,supplying obsolete and hard-to-find components to meet their specific needs.

With the principle of “Quality Parts,Customers Priority,Honest Operation,and Considerate Service”,our business mainly focus on the distribution of electronic components. Line cards we deal with include Microchip,ALPS,ROHM,Xilinx,Pulse,ON,Everlight and Freescale. Main products comprise IC,Modules,Potentiometer,IC Socket,Relay,Connector.Our parts cover such applications as commercial,industrial, and automotives areas.

We are looking forward to setting up business relationship with you and hope to provide you with the best service and solution. Let us make a better world for our industry!



Contact us

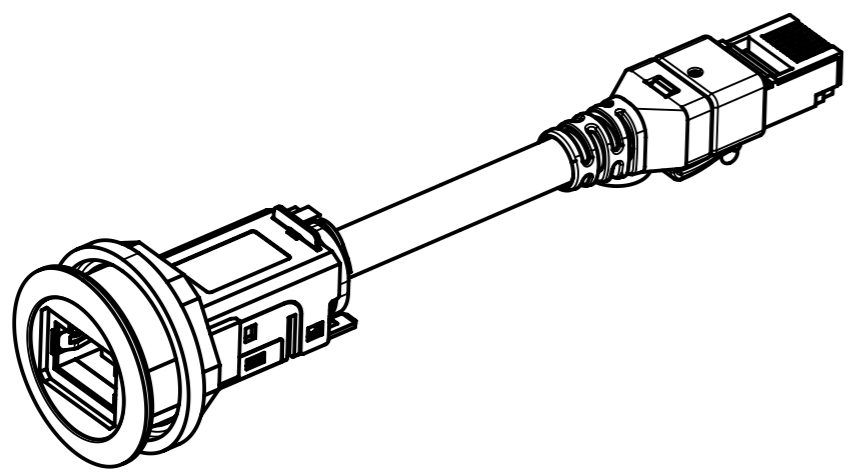
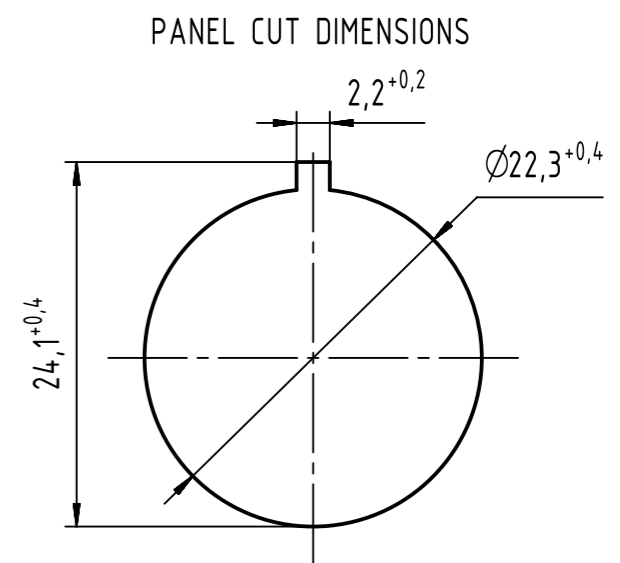
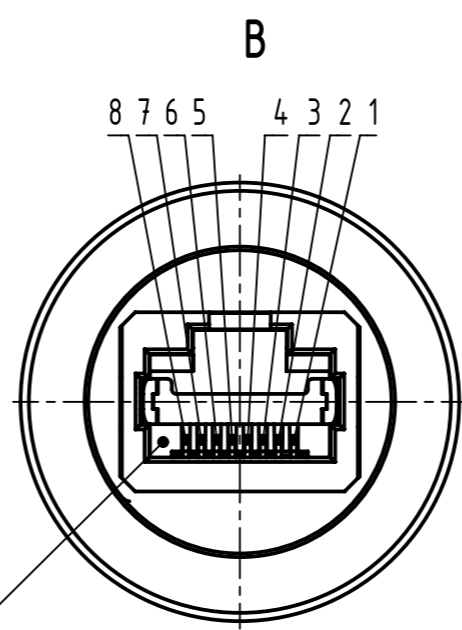
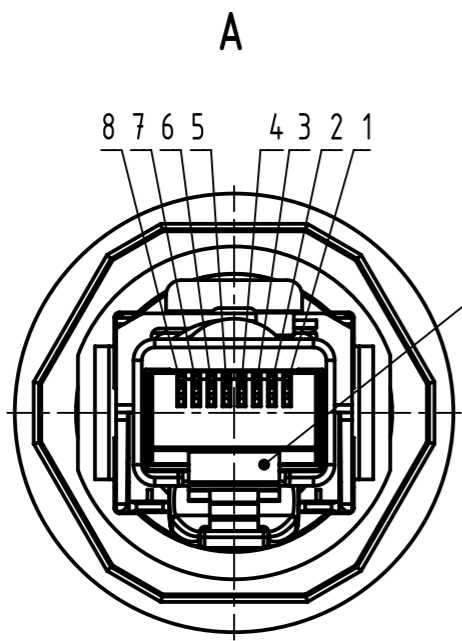
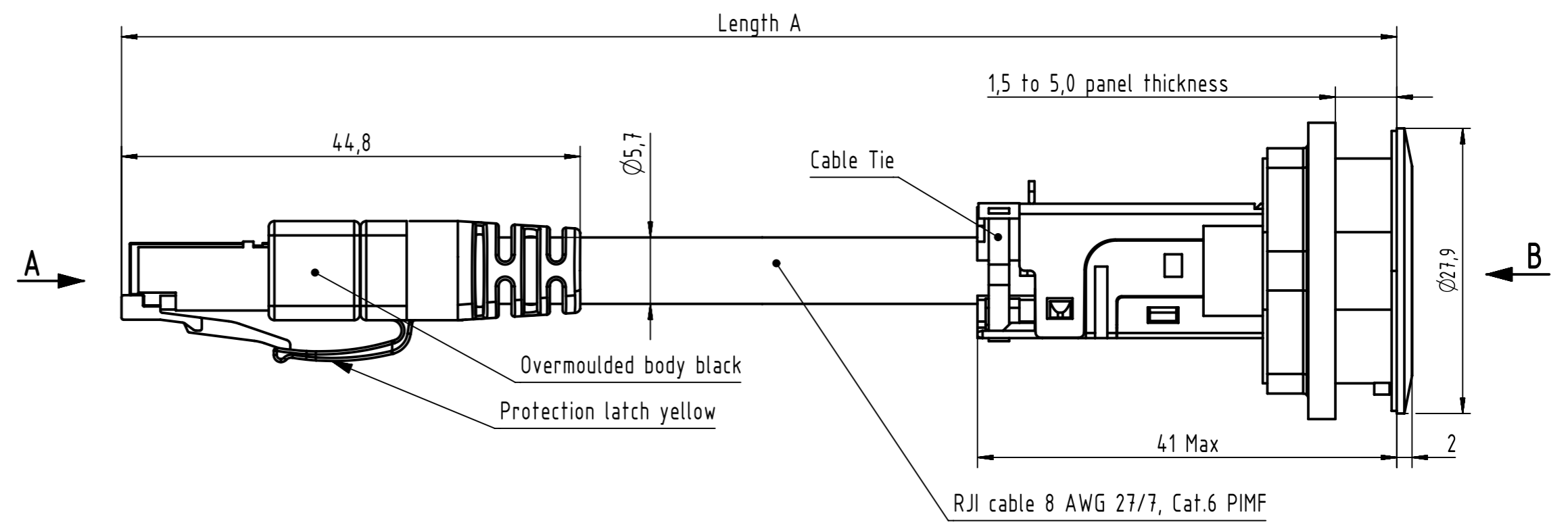
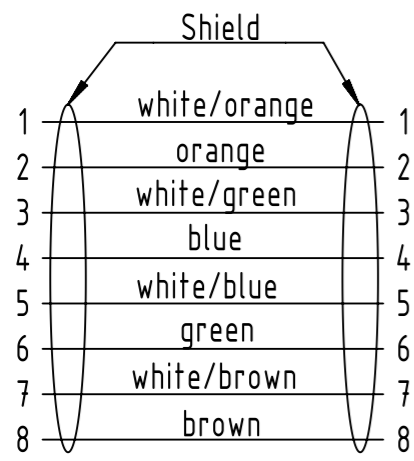
Tel: +86-755-8981 8866 Fax: +86-755-8427 6832

Email & Skype: info@chipsmall.com Web: www.chipsmall.com

Address: A1208, Overseas Decoration Building, #122 Zhenhua RD., Futian, Shenzhen, China




Loading-Plan
acc. to TIA/EIA 568B



	All rights reserved		Created by TAMAS		Inspected by AVRAM		Standardisation HOFFMANN		Date 2016-11-25		State Final Release	
	Department EC PD - RO		Title har-port RJ45 coupler Cat.6 AWG 27/7		Type TB		Number 094545215XX		Doc-Key / ECM-Nr. 10022229/UGD/002/D 500000111080		Rev. D Page 1/2	
HARTING Electronics GmbH D-32339 Espelkamp			All Dimensions in mm Original Size DIN A3		Scale 2:1		Free size tol.		Ref. Sub.			

Line No.	Part number	Type of cable	Length A (m)
1	09 45 452 1500	har-port RJ45 IP20 coupler Cat.6 PFT cable jack silver	0,15 (+/-0,03)
2	09 45 452 1501	har-port RJ45 IP20 coupler Cat.6 PFT cable jack silver	0,20 (+/-0,04)
3	09 45 452 1502	har-port RJ45 IP20 coupler Cat.6 PFT cable jack silver	0,30 (+/-0,06)
4	09 45 452 1503	har-port RJ45 IP20 coupler Cat.6 PFT cable jack silver	0,40 (+/-0,08)
5	09 45 452 1504	har-port RJ45 IP20 coupler Cat.6 PFT cable jack silver	0,50 (+/-0,10)
6	09 45 452 1505	har-port RJ45 IP20 coupler Cat.6 PFT cable jack silver	0,60 (+/-0,12)
7	09 45 452 1506	har-port RJ45 IP20 coupler Cat.6 PFT cable jack silver	0,70 (+/-0,14)
8	09 45 452 1507	har-port RJ45 IP20 coupler Cat.6 PFT cable jack silver	0,80 (+/-0,16)
9	09 45 452 1508	har-port RJ45 IP20 coupler Cat.6 PFT cable jack silver	0,90 (+/-0,18)
10	09 45 452 1509	har-port RJ45 IP20 coupler Cat.6 PFT cable jack silver	1,0 (+/-0,20)
11	09 45 452 1510	har-port RJ45 IP20 coupler Cat.6 PFT cable jack silver	1,5 (+/-0,075)
12	09 45 452 1511	har-port RJ45 IP20 coupler Cat.6 PFT cable jack silver	2,0 (+/-0,10)
13	09 45 452 1512	har-port RJ45 IP20 coupler Cat.6 PFT cable jack silver	2,5 (+/-0,125)
14	09 45 452 1513	har-port RJ45 IP20 coupler Cat.6 PFT cable jack silver	3,0 (+/-0,15)
15	09 45 452 1514	har-port RJ45 IP20 coupler Cat.6 PFT cable jack silver	3,5 (+/-0,175)
16	09 45 452 1515	har-port RJ45 IP20 coupler Cat.6 PFT cable jack silver	4,0 (+/-0,20)
17	09 45 452 1516	har-port RJ45 IP20 coupler Cat.6 PFT cable jack silver	5,0 (+/-0,25)
18	09 45 452 1517	har-port RJ45 IP20 coupler Cat.6 PFT cable jack silver	7,5 (+/-0,375)
19	09 45 452 1518	har-port RJ45 IP20 coupler Cat.6 PFT cable jack silver	10,0 (+/-0,50)
20			
21	09 45 452 1530	har-port RJ45 IP20 coupler Cat.6 PFT cable jack black	0,15 (+/-0,03)
22	09 45 452 1531	har-port RJ45 IP20 coupler Cat.6 PFT cable jack black	0,20 (+/-0,04)
23	09 45 452 1532	har-port RJ45 IP20 coupler Cat.6 PFT cable jack black	0,30 (+/-0,06)
24	09 45 452 1533	har-port RJ45 IP20 coupler Cat.6 PFT cable jack black	0,40 (+/-0,08)
25	09 45 452 1534	har-port RJ45 IP20 coupler Cat.6 PFT cable jack black	0,50 (+/-0,10)
26	09 45 452 1535	har-port RJ45 IP20 coupler Cat.6 PFT cable jack black	0,60 (+/-0,12)
27	09 45 452 1536	har-port RJ45 IP20 coupler Cat.6 PFT cable jack black	0,70 (+/-0,14)
28	09 45 452 1537	har-port RJ45 IP20 coupler Cat.6 PFT cable jack black	0,80 (+/-0,16)
29	09 45 452 1538	har-port RJ45 IP20 coupler Cat.6 PFT cable jack black	0,90 (+/-0,18)
30	09 45 452 1539	har-port RJ45 IP20 coupler Cat.6 PFT cable jack black	1,0 (+/-0,20)
31	09 45 452 1540	har-port RJ45 IP20 coupler Cat.6 PFT cable jack black	1,5 (+/-0,075)
32	09 45 452 1541	har-port RJ45 IP20 coupler Cat.6 PFT cable jack black	2,0 (+/-0,10)
33	09 45 452 1542	har-port RJ45 IP20 coupler Cat.6 PFT cable jack black	2,5 (+/-0,125)
34	09 45 452 1543	har-port RJ45 IP20 coupler Cat.6 PFT cable jack black	3,0 (+/-0,15)
35	09 45 452 1544	har-port RJ45 IP20 coupler Cat.6 PFT cable jack black	3,5 (+/-0,175)
36	09 45 452 1545	har-port RJ45 IP20 coupler Cat.6 PFT cable jack black	4,0 (+/-0,20)
37	09 45 452 1546	har-port RJ45 IP20 coupler Cat.6 PFT cable jack black	5,0 (+/-0,25)
38	09 45 452 1547	har-port RJ45 IP20 coupler Cat.6 PFT cable jack black	7,5 (+/-0,375)
39	09 45 452 1548	har-port RJ45 IP20 coupler Cat.6 PFT cable jack black	10,0 (+/-0,50)

	All Dimensions in mm Original Size DIN A3	Scale 1:1	Free size tol.	Ref.
	All rights reserved Department EC PD - RO	Created by TAMAS	Inspected by AVRAM	Standardisation HOFFMANN
HARTING Electronics GmbH D-32339 Espelkamp		Title har-port RJ45 coupler Cat.6 AWG 27/7		Date 2016-11-25
		Type TB	Number 094545215XX	State Final Release
			Doc-Key / ECM-Nr. 10022229/UGD/002/D 50000111080	Page 2/2
			Rev. D	