



Chipsmall Limited consists of a professional team with an average of over 10 year of expertise in the distribution of electronic components. Based in Hongkong, we have already established firm and mutual-benefit business relationships with customers from,Europe,America and south Asia,supplying obsolete and hard-to-find components to meet their specific needs.

With the principle of “Quality Parts,Customers Priority,Honest Operation,and Considerate Service”,our business mainly focus on the distribution of electronic components. Line cards we deal with include Microchip,ALPS,ROHM,Xilinx,Pulse,ON,Everlight and Freescale. Main products comprise IC,Modules,Potentiometer,IC Socket,Relay,Connector.Our parts cover such applications as commercial,industrial, and automotives areas.

We are looking forward to setting up business relationship with you and hope to provide you with the best service and solution. Let us make a better world for our industry!



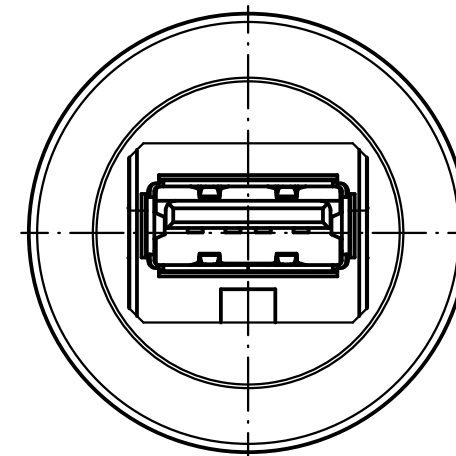
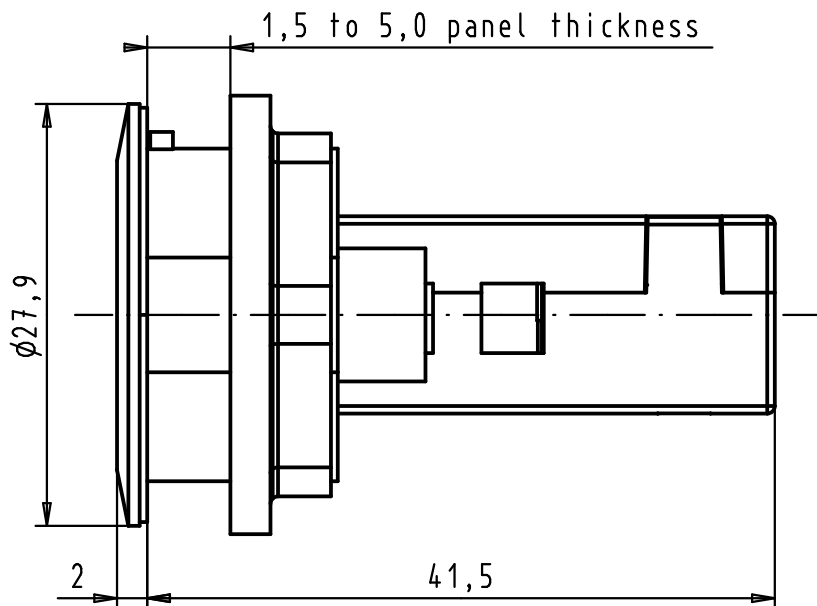
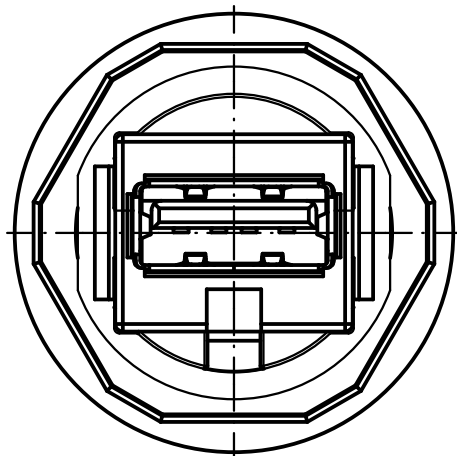
## Contact us

Tel: +86-755-8981 8866 Fax: +86-755-8427 6832

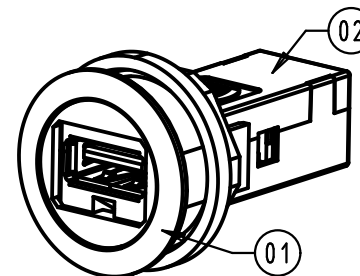
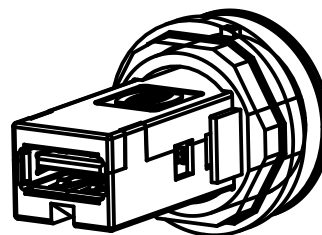
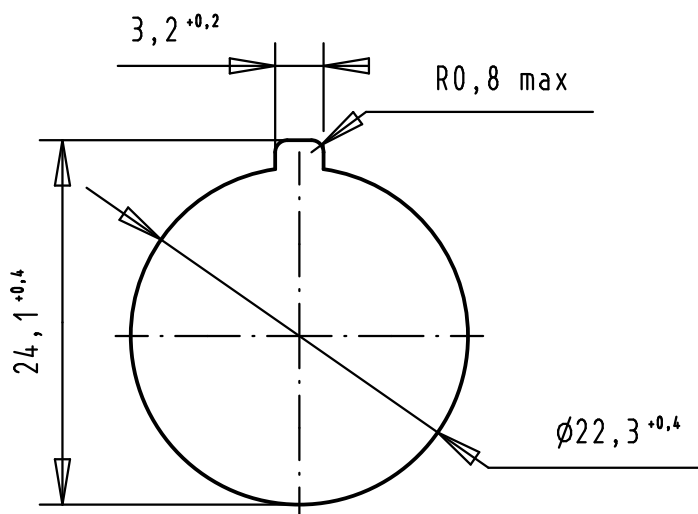
Email & Skype: info@chipsmall.com Web: www.chipsmall.com



Address: A1208, Overseas Decoration Building, #122 Zhenhua RD., Futian, Shenzhen, China





PANEL CUT DIMENSIONS:



02	1	USB 3.0 HIFF BULKHAED COUPLER TYPE A-A			09 45 545 1902	
01	1	Har-port PFT for HIFF inserts			09 45 452 0000	
			Dot.	Name	 har-port USB 3.0 A-A coupler	Maßstab/ Scale
		Detail.	26/JAN/11	BH		2:1
		Insp.	29/02/12	JB		
		Stand.				
36291	29/02/12	SD			 TB 09 45 452 1902	Blatt/ Page
36227	15-feb-11	BH	HARTING EURL F-95972 Paris			1 / 1
36224						
Mod.	Dot.	Name			Sub.	