



Chipsmall Limited consists of a professional team with an average of over 10 year of expertise in the distribution of electronic components. Based in Hongkong, we have already established firm and mutual-benefit business relationships with customers from,Europe,America and south Asia,supplying obsolete and hard-to-find components to meet their specific needs.

With the principle of “Quality Parts,Customers Priority,Honest Operation,and Considerate Service”,our business mainly focus on the distribution of electronic components. Line cards we deal with include Microchip,ALPS,ROHM,Xilinx,Pulse,ON,Everlight and Freescale. Main products comprise IC,Modules,Potentiometer,IC Socket,Relay,Connector.Our parts cover such applications as commercial,industrial, and automotives areas.

We are looking forward to setting up business relationship with you and hope to provide you with the best service and solution. Let us make a better world for our industry!



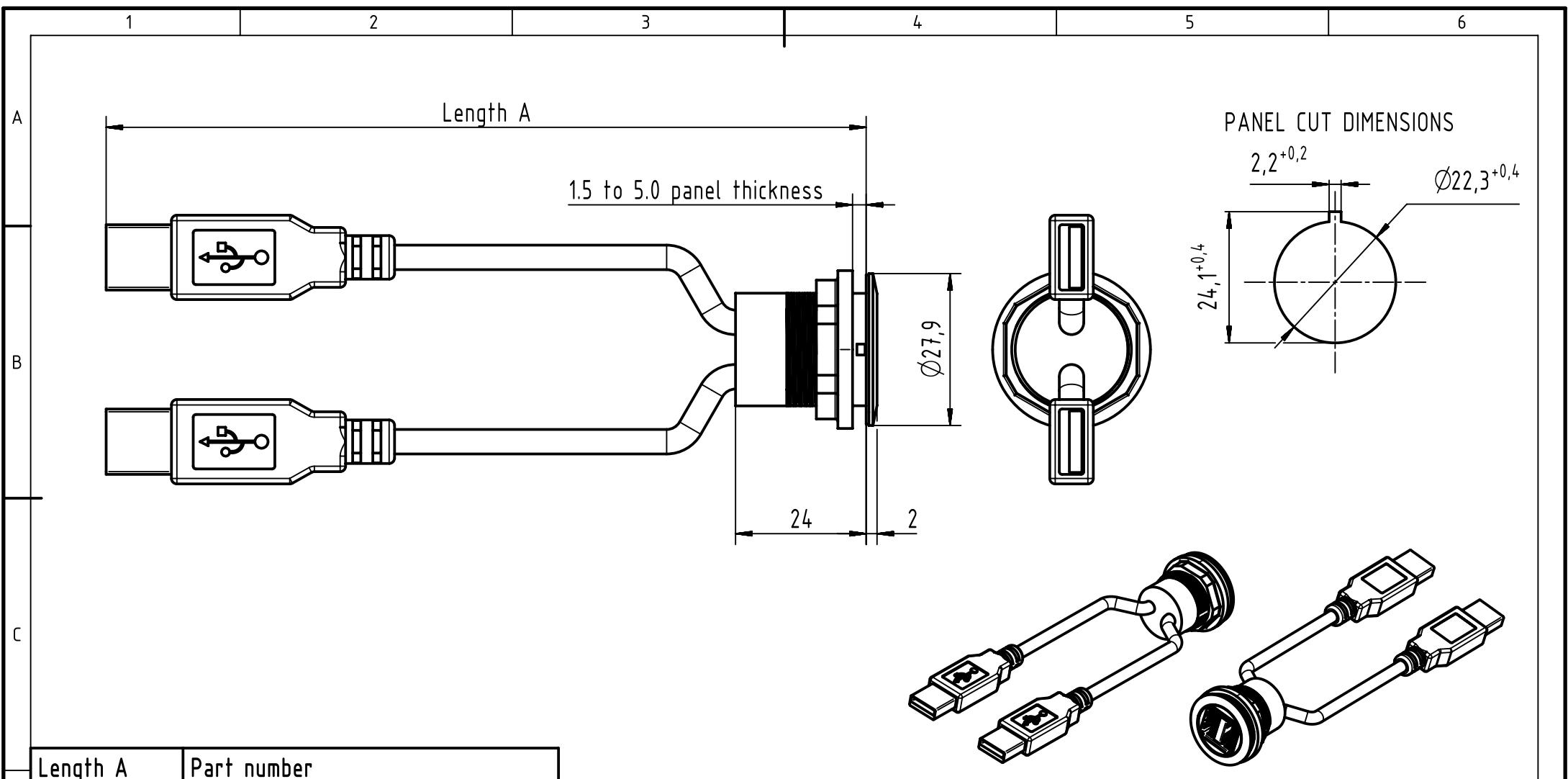
Contact us

Tel: +86-755-8981 8866 Fax: +86-755-8427 6832

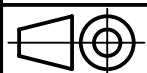
Email & Skype: info@chipsmall.com Web: www.chipsmall.com

Address: A1208, Overseas Decoration Building, #122 Zhenhua RD., Futian, Shenzhen, China





Length A	Part number
0,5 m	09 45 452 1950
1,0 m	09 45 452 1951
1,5 m	09 45 452 1952
2,0 m	09 45 452 1953
3,0 m	09 45 452 1954
5,0 m	09 45 452 1955



All Dimensions in mm
Original Size DIN A4

Scale
1:1

Free size tol.

Ref.
Sub.



All rights reserved
Department EC PD - RO

Created by
TAMAS

Inspected by
AVRAM

Standardisation
HOFFMANN

Date
2016-11-25

State
Final Release

Title
har-port 2xUSB 2.0 A-A

Doc-Key / ECM-Nr.
100536556/UGD/001/B
500000111080

HARTING Electronics GmbH
D-32339 Espelkamp

Type
TB

Number
0945452195X

Rev.
B

Page
1/1