



Chipsmall Limited consists of a professional team with an average of over 10 year of expertise in the distribution of electronic components. Based in Hongkong, we have already established firm and mutual-benefit business relationships with customers from,Europe,America and south Asia,supplying obsolete and hard-to-find components to meet their specific needs.

With the principle of “Quality Parts,Customers Priority,Honest Operation,and Considerate Service”,our business mainly focus on the distribution of electronic components. Line cards we deal with include Microchip,ALPS,ROHM,Xilinx,Pulse,ON,Everlight and Freescale. Main products comprise IC,Modules,Potentiometer,IC Socket,Relay,Connector.Our parts cover such applications as commercial,industrial, and automotives areas.

We are looking forward to setting up business relationship with you and hope to provide you with the best service and solution. Let us make a better world for our industry!



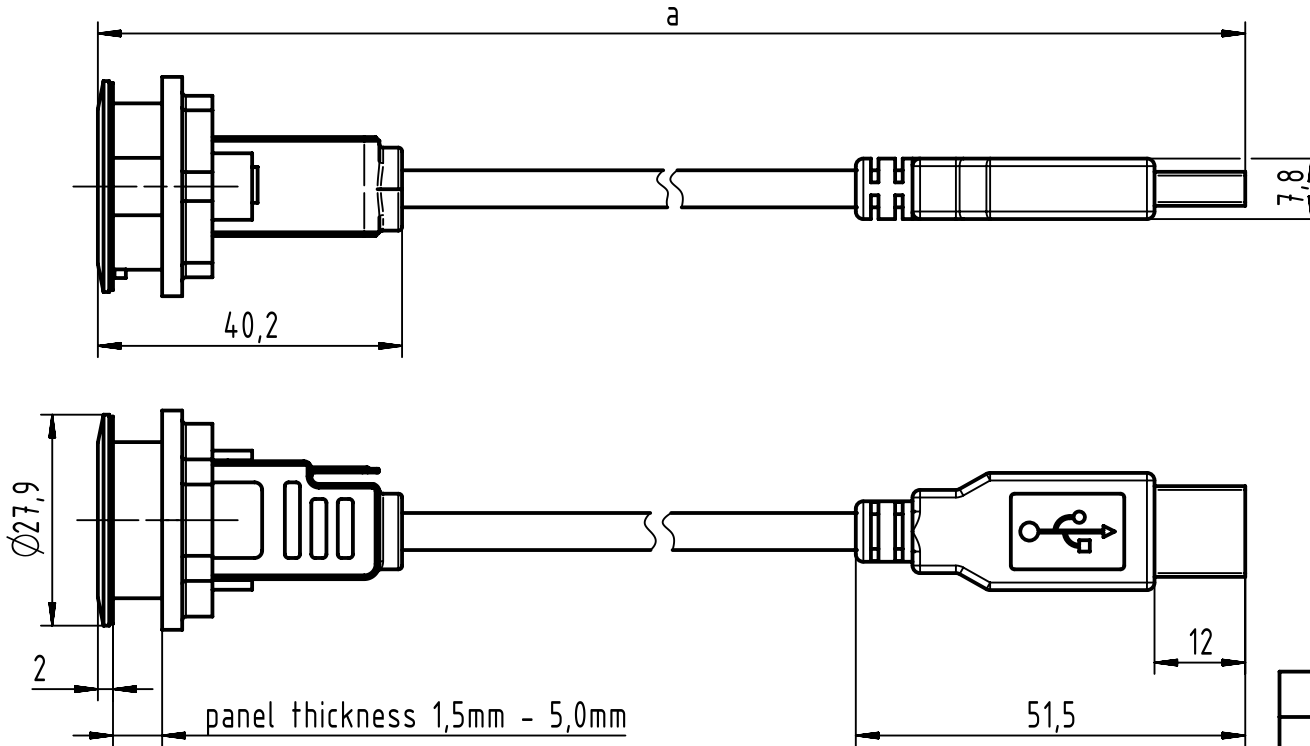
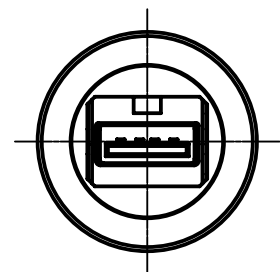
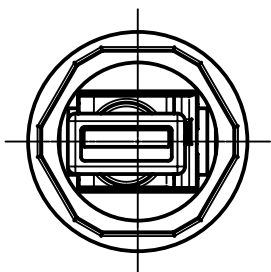
## Contact us

Tel: +86-755-8981 8866 Fax: +86-755-8427 6832

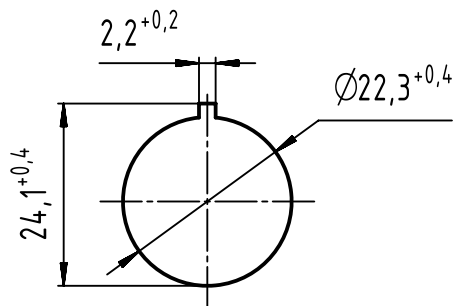
Email & Skype: info@chipsmall.com Web: www.chipsmall.com

Address: A1208, Overseas Decoration Building, #122 Zhenhua RD., Futian, Shenzhen, China





PANEL CUT DIMENSIONS



09 45 452 1965	5,0
09 45 452 1964	3,0
09 45 452 1963	2,0
09 45 452 1962	1,5
09 45 452 1961	1,0
09 45 452 1960	0,5
part number	a [m]

	All Dimensions in mm Original Size DIN A4		Scale 1:1	Free size tol. ISO 2678 mH	Ref. Sub.		
	All rights reserved Department EC PD - RO		Created by TAMAS	Inspected by AVRAM	Standardisation HOFFMANN	Date 2016-11-25	State Final Release
HARTING Electronics GmbH D-32339 Espelkamp			Title <b>har-port USB 2.0 A-A PFT black cable</b>			Doc-Key / ECM-Nr. 100629041/UGD/000/B 500000111080	
			Type TB	Number 0945452196X		Rev. B	Page 1/1