



Chipsmall Limited consists of a professional team with an average of over 10 year of expertise in the distribution of electronic components. Based in Hongkong, we have already established firm and mutual-benefit business relationships with customers from,Europe,America and south Asia,supplying obsolete and hard-to-find components to meet their specific needs.

With the principle of “Quality Parts,Customers Priority,Honest Operation,and Considerate Service”,our business mainly focus on the distribution of electronic components. Line cards we deal with include Microchip,ALPS,ROHM,Xilinx,Pulse,ON,Everlight and Freescale. Main products comprise IC,Modules,Potentiometer,IC Socket,Relay,Connector.Our parts cover such applications as commercial,industrial, and automotives areas.

We are looking forward to setting up business relationship with you and hope to provide you with the best service and solution. Let us make a better world for our industry!



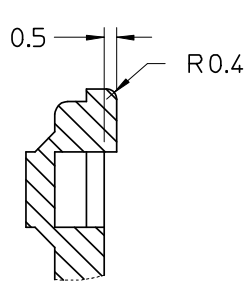
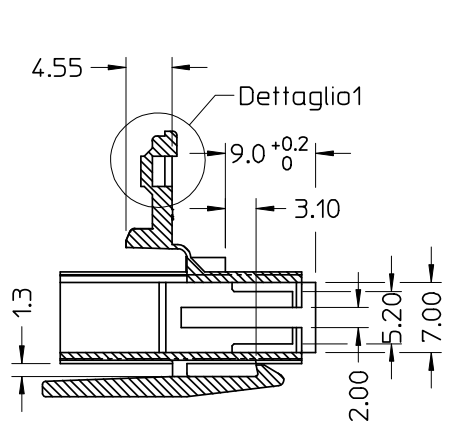
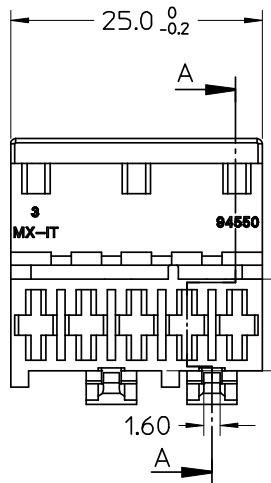
Contact us

Tel: +86-755-8981 8866 Fax: +86-755-8427 6832

Email & Skype: info@chipsmall.com Web: www.chipsmall.com

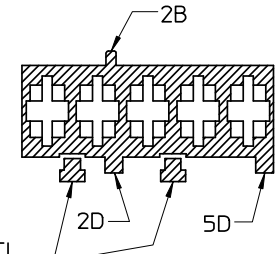
Address: A1208, Overseas Decoration Building, #122 Zhenhua RD., Futian, Shenzhen, China



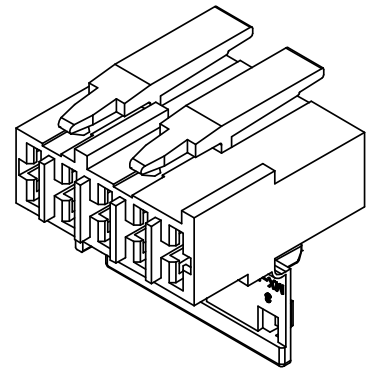


Dettaglio1
SCALA 5:1

CONFIGURAZIONE POLARIZZAZIONI
POLARIZATION CONFIGURATION

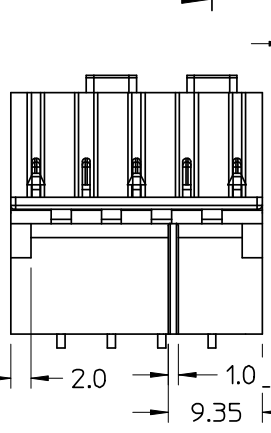


AGGANCI
LATCHES
SEZ: C-C



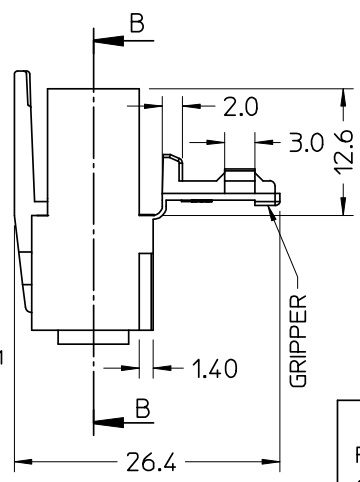
- NOTE:
- USATO CON TERMINALE 94518-0XXX E 94549-0XXX
 - SPECIFICA DI RIFERIMENTO PER IL CONNETTORE PS-94550-001
 - PER CARATTERISTICHE DI CRIMPATURA RIF. SD-94518-005 E SD-94549-001
 - FORZA DI DISACCOPIAMENTO CONNETTORE (TRAZIONANDO DAI CAVI SENZA AZIONARE L'AGGANCI): 60 N MIN.
 - SPESSORE MIN. PARETI CONNETTORE 0.40 mm.

- NOTE:
- USED WITH TERMINALS 94518-0XXX AND 94549-0XXX
 - REFER TO PS-94550-001 FOR CONNECTOR SPECIFICATION
 - REFER TO SD-94518-005 AND SD-94549-001 FOR CRIMPING CHARACTERISTICS
 - CONNECTOR DISENGAGEMENT FORCE (PULLING BY THE WIRES, WITHOUT ACTUATING THE LATCH): 60 N MIN.
 - MINIMUM CONNECTOR WALL THICKNESS 0.40 mm.
- CONFEZIONE: Box da 1300 Pz.
PACKAGING: 1300 pcs in carton box

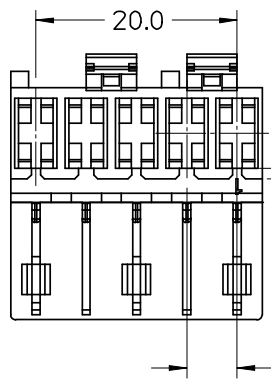
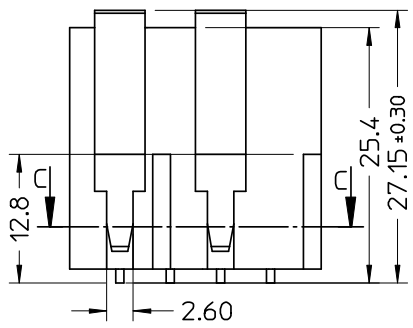


SEZ: A-A

SEZ: B-B



* AGENCY
RECOGNIZATIONS
CSA (file LR19980)
UL (file E-29179)



SPQ =1300

Std. Descr: "HSG W/SEC LOCK AND EXT LATCHES 5 CKT _____ COLOR"

P/N	MATERIAL/COLOR
*94550-9005	NYLON 6.6 V0 NATURAL
94550-4005	NYLON 6.6 GWT 750 °C sec.IEC 60335-1 TEST METHOD IEC 60695-2-11 NATURAL

EC NO: Z2006-0056 DRWN: FGOTTARD 2005/10/14 CHKD: RSANDANI 2005/10/14 APPR: GZUIN 2005/10/17	QUALITY SYMBOLS	GENERAL TOLERANCES (UNLESS SPECIFIED)	SCALE 2:1	DESIGN UNITS METRIC	FIRST ANGLE PROJECTION	REVISE ON CAD ONLY	
	▲ = 0 ▽ = 0	mm	INCH	DIMENSION STYLE MM ONLY	TITLE HSG 5 CKT WITH SEC. LOCK AND EXTERNAL LATCH		
		4 PLACES ± --- ± ---	3 PLACES ± --- ± ---	DRAWN BY FGOTTARD	DATE 2002/06/27	MOLEX MOLEX INCORPORATED	
		2 PLACES ± 0.10 ± ---	1 PLACE ± 0.2 ± ---	CHECKED BY MTESTAGU	DATE 2002/06/27	MATERIAL NO. 94550-9005	DOCUMENT NO. SD-94550-004
A2	REV	ANGULAR ± 2 °	DRAFT WHERE APPLICABLE	APPROVED BY GZUIN	DATE 2002/06/27	SHEET NO. 1 OF 1	
MUST REMAIN WITHIN DIMENSIONS			THIS DRAWING CONTAINS INFORMATION THAT IS PROPRIETARY TO MOLEX INCORPORATED AND SHOULD NOT BE USED WITHOUT WRITTEN PERMISSION				