



Chipsmall Limited consists of a professional team with an average of over 10 year of expertise in the distribution of electronic components. Based in Hongkong, we have already established firm and mutual-benefit business relationships with customers from,Europe,America and south Asia,supplying obsolete and hard-to-find components to meet their specific needs.

With the principle of "Quality Parts,Customers Priority,Honest Operation,and Considerate Service",our business mainly focus on the distribution of electronic components. Line cards we deal with include Microchip,ALPS,ROHM,Xilinx,Pulse,ON,Everlight and Freescale. Main products comprise IC,Modules,Potentiometer,IC Socket,Relay,Connector.Our parts cover such applications as commercial,industrial, and automotives areas.

We are looking forward to setting up business relationship with you and hope to provide you with the best service and solution. Let us make a better world for our industry!



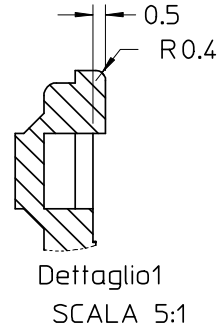
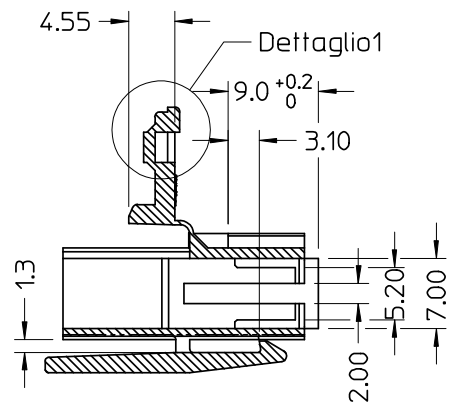
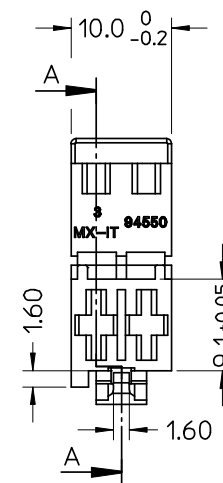
Contact us

Tel: +86-755-8981 8866 Fax: +86-755-8427 6832

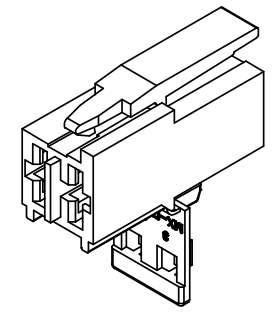
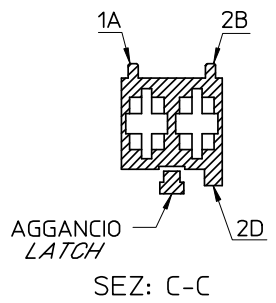
Email & Skype: info@chipsmall.com Web: www.chipsmall.com

Address: A1208, Overseas Decoration Building, #122 Zhenhua RD., Futian, Shenzhen, China





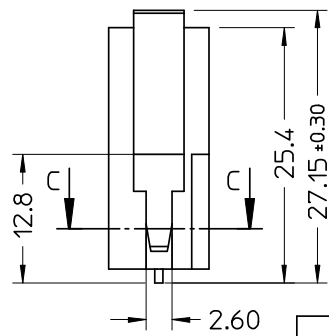
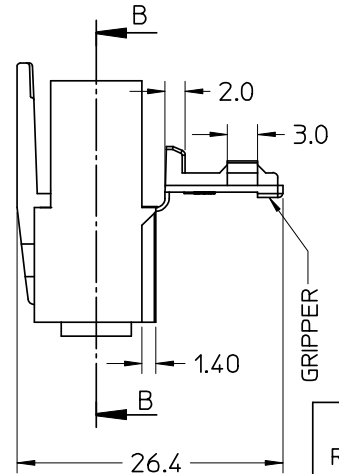
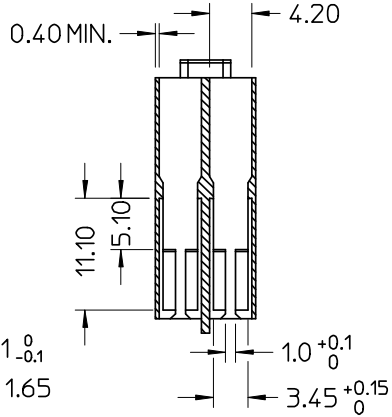
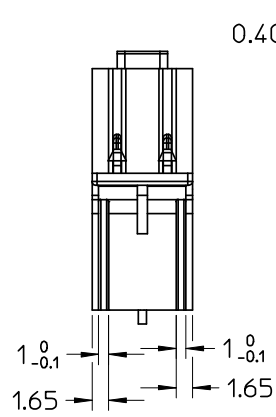
CONFIGURAZIONE POLARIZZAZIONI
POLARIZATION CONFIGURATION



NOTE:
- USATO CON TERMINALE 94518-0XXX E 94549-0XXX
- SPECIFICA DI RIFERIMENTO PER IL CONNETTORE PS-94550-001
- PER CARATTERISTICHE DI CRIMPATURA RIF. SD-94518-005 E SD-94549-001
- FORZA DI DISACCOPIAMENTO CONNETTORE (TRAZIONANDO DAI CAVI SENZA AZIONARE L'AGGANCIO): 40 N MIN.
- SPESSORE MINIMO PARETI CONNETTORE 0.40 mm.

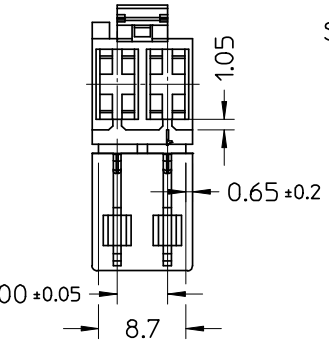
NOTE:
- USED WITH TERMINALS 94518-0XXX AND 94549-0XXX
- REFER TO PS-94550-001 FOR CONNECTOR SPECIFICATION
- REFER TO SD-94518-005 AND SD-94549-001 FOR CRIMPING CHARACTERISTICS
- CONNECTOR DISENGAGEMENT FORCE (PULLING BY THE WIRES, WITHOUT ACTUATING THE LATCH): 40 N MIN.
- MINIMUM CONNECTOR WALL THICKNESS 0.40 mm.

CONFEZIONE: Box da 3500 Pz.
PACKAGING: 3500 pcs in carton box



* AGENCY RECOGNIZATIONS
CSA (file LR19980)
UL (file E-29179)

P/N	MATERIAL/COLOR
* 94550-9102	NYLON 6.6 V0 NATURAL
94550-8102	NYLON 6.6 V2 NATURAL
94550-4102	NYLON 6.6 GWT 750°C sec.IEC 60335-1 TEST METHOD IEC 60695-2-11 NATURAL



SEZ: B-B

SPQ = 3500

Std. Descr.: 'HSG W/SEC LOCK AND LATCH 2CKT _____ COLOR'

EC NO: Z2006-0038
DRWN:FGOTTARD/2005/09/21
CHKD:RSANDAN/2005/09/21
APPR:GZUIN 2005/09/21

QUALITY SYMBOLS	GENERAL TOLERANCES (UNLESS SPECIFIED)	
	mm	INCH
▽ = 0	4 PLACES ± ---	± ---
▽ = 0	3 PLACES ± ---	± ---
▽ = 0	2 PLACES ± 0.10	± ---
▽ = 0	1 PLACE ± 0.2	± ---
▽ = 0	ANGULAR ± 2°	
▽ = 0	DRAFT WHERE APPLICABLE	
▽ = 0	MUST REMAIN WITHIN DIMENSIONS	

SCALE	DESIGN UNITS
2:1	METRIC
DIMENSION STYLE	
MM ONLY	
DRAWN BY	DATE
FGOTTARD	2002/06/27
CHECKED BY	DATE
MTESTAGU	2002/06/27
APPROVED BY	DATE
GZUIN	2002/06/27

FIRST ANGLE PROJECTION	REVISE ON CAD ONLY
☑	
TITLE	
HSG 2 CKT WITH SEC.LOCK AND EXTERNAL LATCH	
MOLEX INCORPORATED	
MATERIAL NO.	DOCUMENT NO.
SEE TABLE	SD-94550-006
SHEET NO.	1 OF 1
THIS DRAWING CONTAINS INFORMATION THAT IS PROPRIETARY TO MOLEX INCORPORATED AND SHOULD NOT BE USED WITHOUT WRITTEN PERMISSION	