



Chipsmall Limited consists of a professional team with an average of over 10 year of expertise in the distribution of electronic components. Based in Hongkong, we have already established firm and mutual-benefit business relationships with customers from,Europe,America and south Asia,supplying obsolete and hard-to-find components to meet their specific needs.

With the principle of “Quality Parts,Customers Priority,Honest Operation,and Considerate Service”,our business mainly focus on the distribution of electronic components. Line cards we deal with include Microchip,ALPS,ROHM,Xilinx,Pulse,ON,Everlight and Freescale. Main products comprise IC,Modules,Potentiometer,IC Socket,Relay,Connector.Our parts cover such applications as commercial,industrial, and automotives areas.

We are looking forward to setting up business relationship with you and hope to provide you with the best service and solution. Let us make a better world for our industry!



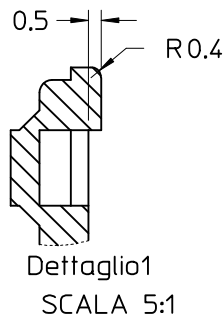
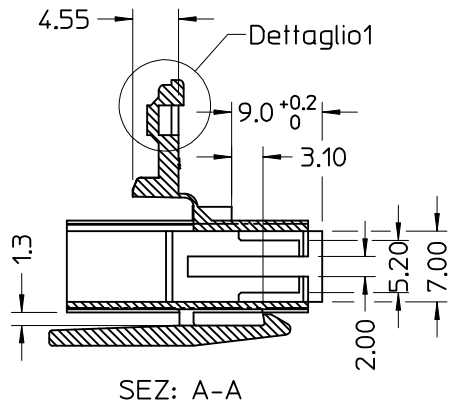
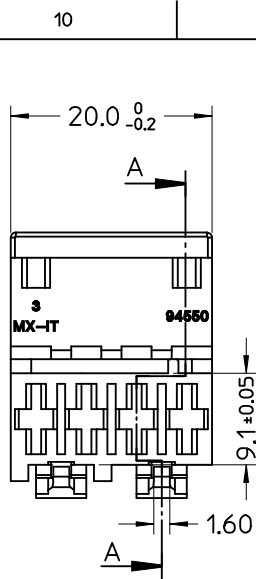
Contact us

Tel: +86-755-8981 8866 Fax: +86-755-8427 6832

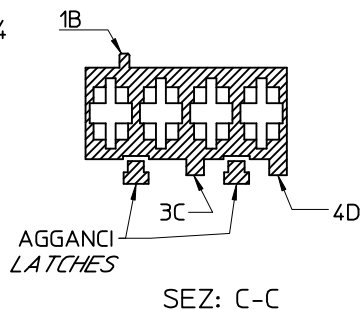
Email & Skype: info@chipsmall.com Web: www.chipsmall.com

Address: A1208, Overseas Decoration Building, #122 Zhenhua RD., Futian, Shenzhen, China





CONFIGURAZIONE POLARIZZAZIONI
POLARIZATION CONFIGURATION



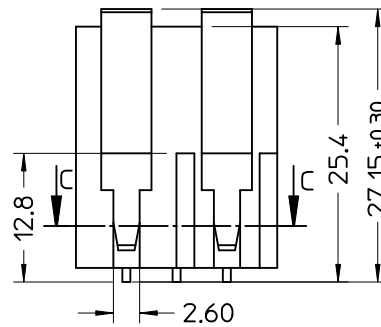
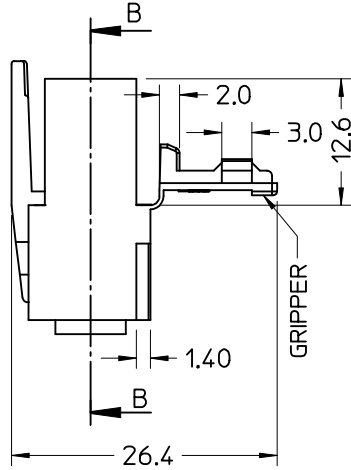
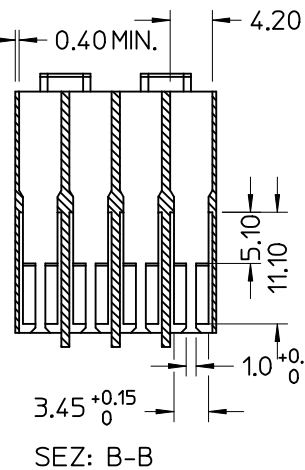
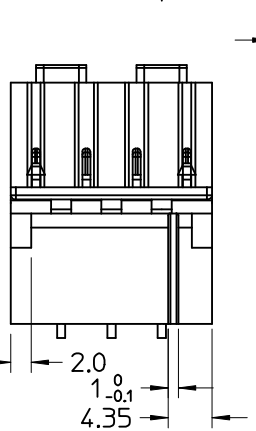
NOTE:

- USATO CON TERMINALE 94518-0XXX E 94549-0XXX
- SPECIFICA DI RIFERIMENTO PER IL CONNETTORE PS-94550-001
- SPESSORE MINIMO PARETI CONNETTORE 0.40 mm.

NOTE:

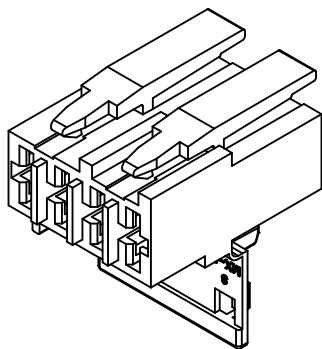
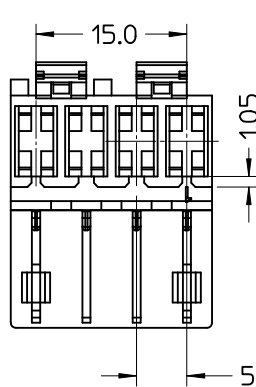
- USED WITH TERMINALS 94518-0XXX AND 94549-0XXX
- REFER TO PS-94550-001 FOR CONNECTOR SPECIFICATION
- MINIMUM CONNECTOR WALL THICKNESS 0.40 mm.

PACKAGING (SPQ): 1800 pcs in carton box
CONFEZIONE (SPQ): Box da 1800 Pz.



* AGENCY
RECOGNIZATIONS
CSA (file LR19980)
UL (file E-29179)

P/N	MATERIAL / COLOUR
94550-8004	NYLON 6.6 V2 NATURAL
*94550-9004	NYLON 6.6 V0 NATURAL GWT 550°C
94550-4004	NYLON 6.6 GWT 750°C sec.IEC 60335-1 TEST METHOD IEC 60695-2-11 NATURAL
94550-4084	NYLON 6.6 GWT 750°C sec.IEC 60335-1 TEST METHOD IEC 60695-2-11 BLACK
94550-3084	NYLON 6.6 BLACK NO-FLAME HOT WIRE IGNITION TEST



Std. Descr: "HSG W/SEC LOCK AND LATCH 4CKT _____ COLOUR"

EC NO: Z2011-0087 DRWNL: SANTISS 2010/11/12 CHKD: LSANTISS 2013/10/29 APPR: FBISIELLO 2013/10/29	QUALITY SYMBOLS ▽ +0 ▽ -0	GENERAL TOLERANCES (UNLESS SPECIFIED)		SCALE 2:1	DESIGN UNITS METRIC	FIRST ANGLE PROJECTION	REVISE ON CAD ONLY	
		4 PLACES ± --- ± --- 3 PLACES ± --- ± --- 2 PLACES ± 0.10 ± --- 1 PLACE ± 0.2 ± ---	mm INCH	DIMENSION STYLE MM ONLY		TITLE HSG 4 CKT WITH SEC.LOCK AND EXTERNAL LATCH		
		ANGULAR ± 2 °		DRAWN BY FGOTTARD	DATE 2002/06/27	MOLEX INCORPORATED		
		DRAFT WHERE APPLICABLE		CHECKED BY MTESTAGU	DATE 2002/06/27			