



Chipsmall Limited consists of a professional team with an average of over 10 year of expertise in the distribution of electronic components. Based in Hongkong, we have already established firm and mutual-benefit business relationships with customers from,Europe,America and south Asia,supplying obsolete and hard-to-find components to meet their specific needs.

With the principle of “Quality Parts,Customers Priority,Honest Operation,and Considerate Service”,our business mainly focus on the distribution of electronic components. Line cards we deal with include Microchip,ALPS,ROHM,Xilinx,Pulse,ON,Everlight and Freescale. Main products comprise IC,Modules,Potentiometer,IC Socket,Relay,Connector.Our parts cover such applications as commercial,industrial, and automotives areas.

We are looking forward to setting up business relationship with you and hope to provide you with the best service and solution. Let us make a better world for our industry!



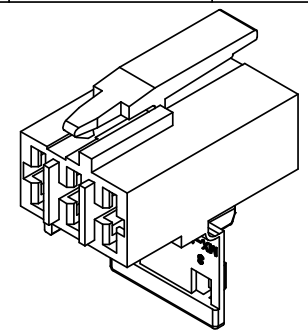
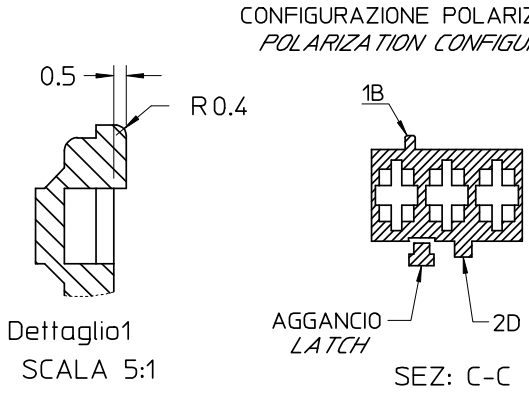
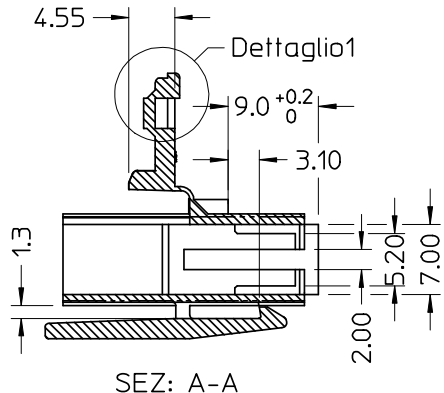
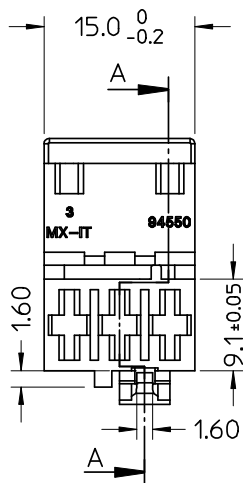
Contact us

Tel: +86-755-8981 8866 Fax: +86-755-8427 6832

Email & Skype: info@chipsmall.com Web: www.chipsmall.com

Address: A1208, Overseas Decoration Building, #122 Zhenhua RD., Futian, Shenzhen, China



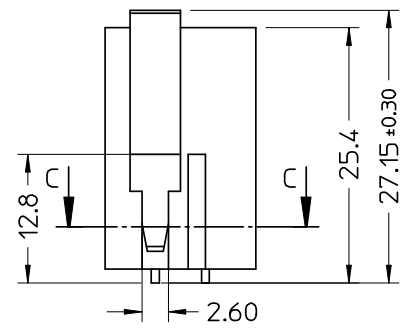
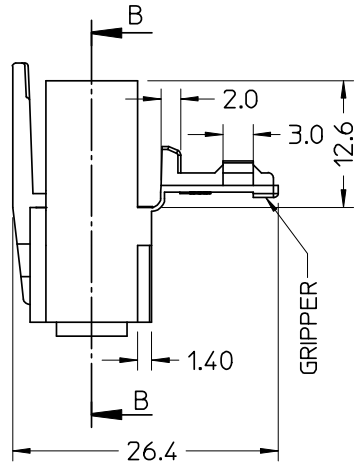
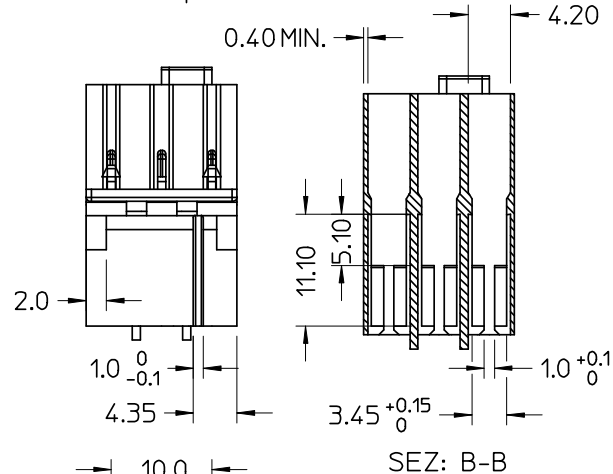


NOTE:
 - USATO CON TERMINALE 94518-0XXX E 94549-0XXX
 - SPECIFICA DI RIFERIMENTO PER IL CONNETTORE PS-94550-001
 - PER CARATTERISTICHE DI CRIMPATURA RIF. SD-94518-005 E SD-94549-001
 - FORZA DI DISACCOPIAMENTO CONNETTORE (TRAZIONANDO DAI CAVI SENZA AZIONARE L'AGGANCIO): 40 N MIN.
 - SPESSORE MINIMO PARETI CONNETTORE 0.40 mm.

NOTE:
 - USED WITH TERMINALS 94518-0XXX AND 94549-0XXX
 - REFER TO PS-94550-001 FOR CONNECTOR SPECIFICATION
 - REFER TO SD-94518-005 AND SD-94549-001 FOR CRIMPING CHARACTERISTICS
 - CONNECTOR DISENGAGEMENT FORCE (PULLING BY THE WIRES, WITHOUT ACTUATING THE LATCH): 40 N MIN.
 - MINIMUM CONNECTOR WALL THICKNESS 0.40 mm.

P/N	MATERIAL/COLOR
94550-9103	NYLON 6.6 V0 NATURAL
94550-9193	NYLON 6.6 V0 GREY

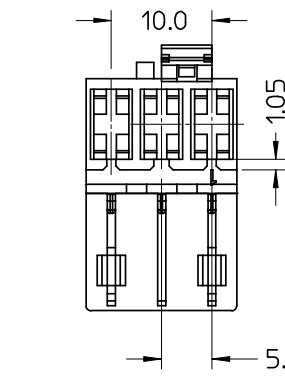
CONFEZIONE: Box da 2200 Pz.
 PACKAGING: 2200 pcs in carton box



AGENCY RECOGNIZATIONS
 CSA (file LR19980)
 UL (file E-29179)

SPQ =2200

Std. Descr: "HSG W/SEC LOCK AND LATCH 3CKT _____ COLOR"



EC NO: Z2004-0206 DRWN: FGOTTARD 2004/05/12 CHKD: RSANDAN 2004/05/12 APPR: GZUIN 2004/05/13	QUALITY SYMBOLS	GENERAL TOLERANCES (UNLESS SPECIFIED)		SCALE 2:1	DESIGN UNITS METRIC	FIRST ANGLE PROJECTION	REVISE ON CAD ONLY	
	▲ = 0 ▽ = 0	mm	INCH	DIMENSION STYLE MM ONLY		TITLE HSG 3 CKT WITH SEC. LOCK AND EXTERNAL LATCH		
		4 PLACES ± --- ± ---	3 PLACES ± --- ± ---	2 PLACES ± 0.10 ± ---	1 PLACE ± 0.2 ± ---	DRAWN BY FGOTTARD	DATE 2003/05/06	
		ANGULAR ± 2°				CHECKED BY	DATE	
A1	REV	DRAFT WHERE APPLICABLE MUST REMAIN WITHIN DIMENSIONS		APPROVED BY GZUIN	DATE 2003/05/06	MATERIAL NO. SEE TABLE	DOCUMENT NO. SD-94550-011	SHEET NO. 1 OF 1