



Chipsmall Limited consists of a professional team with an average of over 10 year of expertise in the distribution of electronic components. Based in Hongkong, we have already established firm and mutual-benefit business relationships with customers from,Europe,America and south Asia,supplying obsolete and hard-to-find components to meet their specific needs.

With the principle of “Quality Parts,Customers Priority,Honest Operation,and Considerate Service”,our business mainly focus on the distribution of electronic components. Line cards we deal with include Microchip,ALPS,ROHM,Xilinx,Pulse,ON,Everlight and Freescale. Main products comprise IC,Modules,Potentiometer,IC Socket,Relay,Connector.Our parts cover such applications as commercial,industrial, and automotives areas.

We are looking forward to setting up business relationship with you and hope to provide you with the best service and solution. Let us make a better world for our industry!



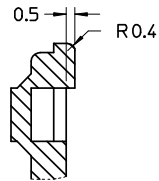
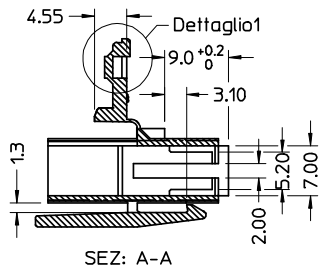
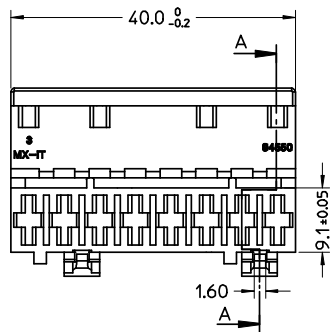
## Contact us

Tel: +86-755-8981 8866 Fax: +86-755-8427 6832

Email & Skype: info@chipsmall.com Web: www.chipsmall.com

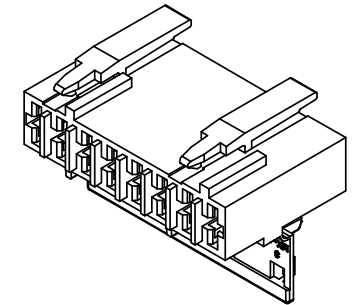
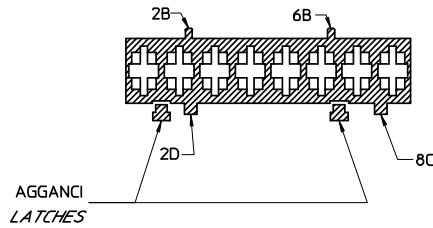
Address: A1208, Overseas Decoration Building, #122 Zhenhua RD., Futian, Shenzhen, China





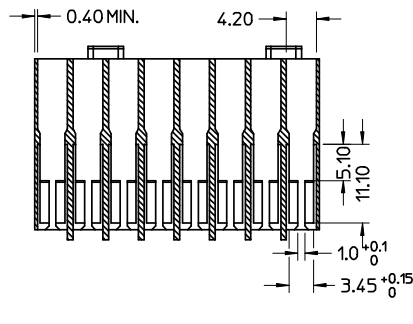
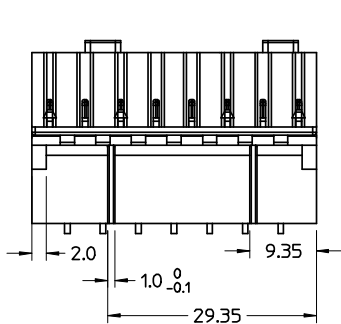
Dettaglio1  
SCALA 5:1

CONFIGURAZIONE POLARIZZAZIONI  
POLARIZATION CONFIGURATION

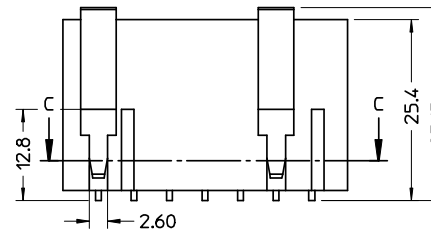
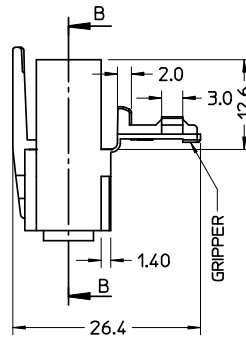


- NOTE:
- USATO CON TERMINALE 94518-0XXX E 94549-0XXX
  - SPECIFICA DI RIFERIMENTO PER IL CONNETTORE PS-94550-001
  - PER CARATTERISTICHE DI CRIMPATURA RIF. SD-94518-005 E SD-94549-001
  - FORZA DI DISACCOIPIAMENTO CONNETTORE (TRAZIONANDO DAI CAVI SENZA AZIONARE L'AGGANCI): 60 N MIN.
  - SPESSORE MINIMO PARETI CONNETTORE 0.40 mm.

- NOTE:
- USED WITH TERMINALS 94518-0XXX AND 94549-0XXX
  - REFER TO PS-94550-001 FOR CONNECTOR SPECIFICATION
  - REFER TO SD-94518-005 FOR AND SD-94549-001 CRIMPING CHARACTERISTICS
  - CONNECTOR DISENGAGEMENT FORCE (PULLING BY THE WIRES, WITHOUT ACTUATING THE LATCH): 60 N MIN.
  - MINIMUM CONNECTOR WALL THICKNESS 0.40 mm.



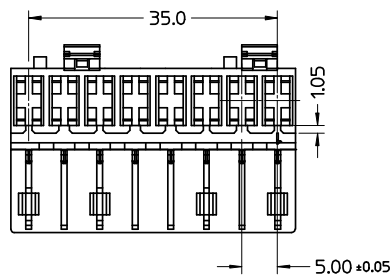
SEZ: B-B



AGENCY  
RECOGNIZATIONS  
CSA (file LR19980)  
UL (file E-29179)

P/N	MATERIAL/COLOR
94550-9108	NYLON 6.6 VO NATURAL
94550-9198	NYLON 6.6 VO GREY

CONFEZIONE: Box da 1200 Pz.  
PACKAGING: 1200 pcs in carlan box



SPQ =1200

Std. Descr: 'HSG W/SEC LOCK AND LATCHES 8CKT \_\_\_\_\_ COLOR'

EC NO: Z2004-0206 DRWN:FGOTTARD004/05/12 CHKD:RSANDAN004/05/12 APPR:GZUIN 2004/05/13	QUALITY SYMBOLS	GENERAL TOLERANCES (UNLESS SPECIFIED)	SCALE 2:1	DESIGN UNITS METRIC	FIRST ANGLE PROJECTION	REVISE ON CAD ONLY															
	0 0	<table border="1"> <thead> <tr> <th></th> <th>mm</th> <th>INCH</th> </tr> </thead> <tbody> <tr> <td>4 PLACES</td> <td>± ---</td> <td>± ---</td> </tr> <tr> <td>3 PLACES</td> <td>± ---</td> <td>± ---</td> </tr> <tr> <td>2 PLACES</td> <td>± 0.10</td> <td>± ---</td> </tr> <tr> <td>1 PLACE</td> <td>± 0.2</td> <td>± ---</td> </tr> </tbody> </table>		mm	INCH	4 PLACES	± ---	± ---	3 PLACES	± ---	± ---	2 PLACES	± 0.10	± ---	1 PLACE	± 0.2	± ---	DIMENSION STYLE MM ONLY	TITLE	HSG 8 CKT WITH SEC.LOCK AND EXTERNAL LATCH	
			mm	INCH																	
		4 PLACES	± ---	± ---																	
3 PLACES	± ---	± ---																			
2 PLACES	± 0.10	± ---																			
1 PLACE	± 0.2	± ---																			
DRAFT WHERE APPLICABLE	<table border="1"> <thead> <tr> <th>DRAWN BY</th> <th>DATE</th> </tr> </thead> <tbody> <tr> <td>FGOTTARD</td> <td>2002/07/24</td> </tr> </tbody> </table>	DRAWN BY	DATE	FGOTTARD	2002/07/24	MOLEX INCORPORATED															
DRAWN BY	DATE																				
FGOTTARD	2002/07/24																				
MUST REMAIN WITHIN DIMENSIONS	<table border="1"> <thead> <tr> <th>CHECKED BY</th> <th>DATE</th> </tr> </thead> <tbody> <tr> <td>MTESTAGU</td> <td>2002/07/24</td> </tr> </tbody> </table>	CHECKED BY	DATE	MTESTAGU	2002/07/24	<table border="1"> <thead> <tr> <th>APPROVED BY</th> <th>DATE</th> </tr> </thead> <tbody> <tr> <td>GZUIN</td> <td>2002/07/24</td> </tr> </tbody> </table>	APPROVED BY	DATE	GZUIN	2002/07/24	MATERIAL NO. SEE TABLE	DOCUMENT NO. SD-94550-009	SHEET NO. 1 OF 1								
CHECKED BY	DATE																				
MTESTAGU	2002/07/24																				
APPROVED BY	DATE																				
GZUIN	2002/07/24																				