



Chipsmall Limited consists of a professional team with an average of over 10 year of expertise in the distribution of electronic components. Based in Hongkong, we have already established firm and mutual-benefit business relationships with customers from,Europe,America and south Asia,supplying obsolete and hard-to-find components to meet their specific needs.

With the principle of "Quality Parts,Customers Priority,Honest Operation,and Considerate Service",our business mainly focus on the distribution of electronic components. Line cards we deal with include Microchip,ALPS,ROHM,Xilinx,Pulse,ON,Everlight and Freescale. Main products comprise IC,Modules,Potentiometer,IC Socket,Relay,Connector.Our parts cover such applications as commercial,industrial, and automotives areas.

We are looking forward to setting up business relationship with you and hope to provide you with the best service and solution. Let us make a better world for our industry!



Contact us

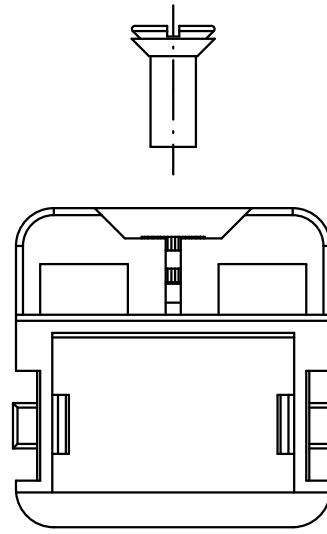
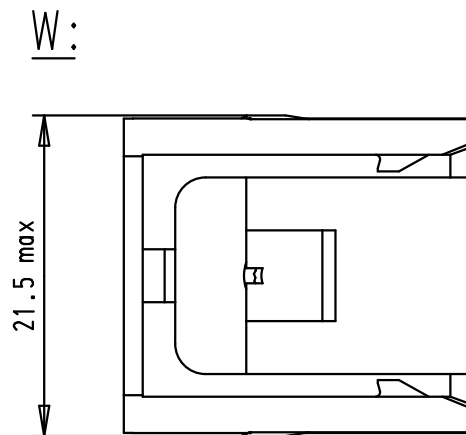
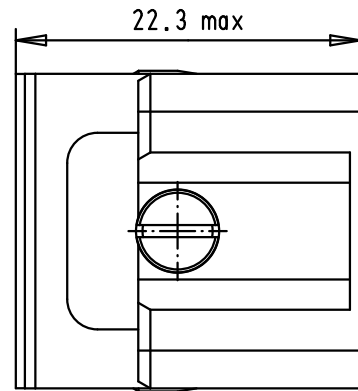
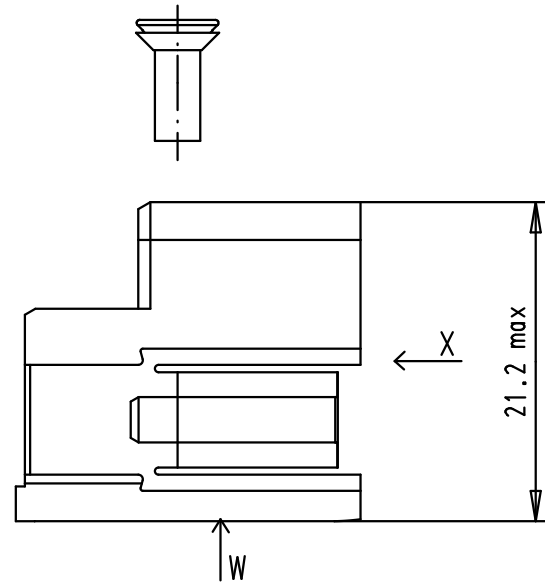
Tel: +86-755-8981 8866 Fax: +86-755-8427 6832

Email & Skype: info@chipsmall.com Web: www.chipsmall.com

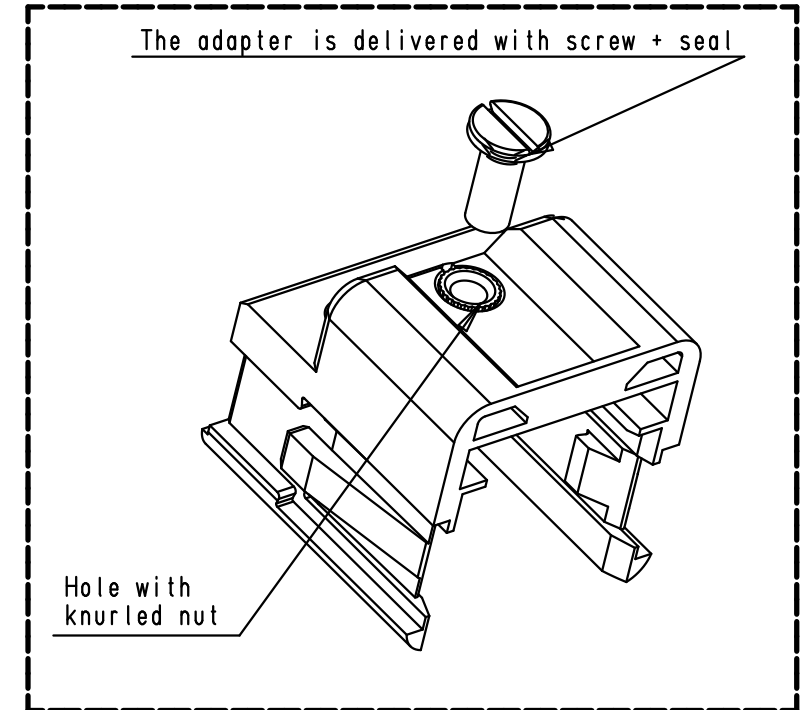
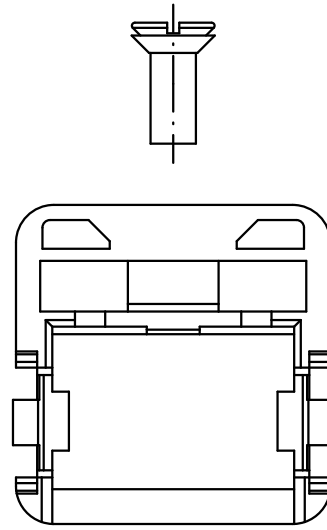
Address: A1208, Overseas Decoration Building, #122 Zhenhua RD., Futian, Shenzhen, China



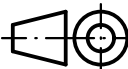

Alle Rechte vorbehalten. All rights reserved



X:



Screw screwing torque: 0.5 N.m

			Det.	Name	 HAN 3A receptacle housing adapter for HIFF inserts including fixing screw	Maßstab/ Scale 2:1
			Detail.	27/07/10 AB		
			Insp.			
			Stand.		All Dim. in mm Orig. Size DIN A3	
36238	15/11/10	AB	HARTING EURL F-95972 Paris			Blatt/ Page 1 / 1
36087	27/07/10	AB				
Mod.	Det.	Name				

TB 09 45 515 0024