



Chipsmall Limited consists of a professional team with an average of over 10 year of expertise in the distribution of electronic components. Based in Hongkong, we have already established firm and mutual-benefit business relationships with customers from,Europe,America and south Asia,supplying obsolete and hard-to-find components to meet their specific needs.

With the principle of “Quality Parts,Customers Priority,Honest Operation,and Considerate Service”,our business mainly focus on the distribution of electronic components. Line cards we deal with include Microchip,ALPS,ROHM,Xilinx,Pulse,ON,Everlight and Freescale. Main products comprise IC,Modules,Potentiometer,IC Socket,Relay,Connector.Our parts cover such applications as commercial,industrial, and automotives areas.

We are looking forward to setting up business relationship with you and hope to provide you with the best service and solution. Let us make a better world for our industry!



## Contact us

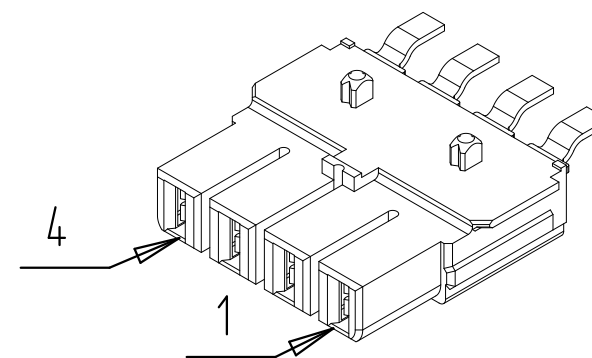
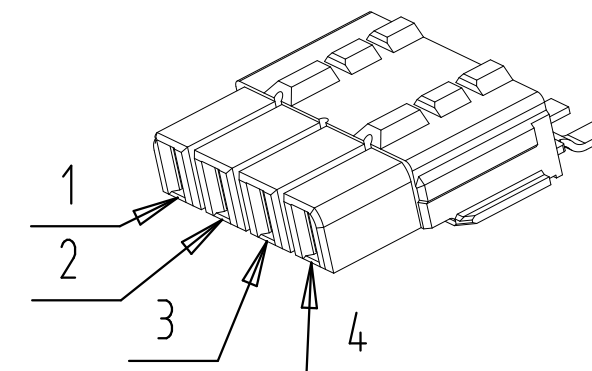
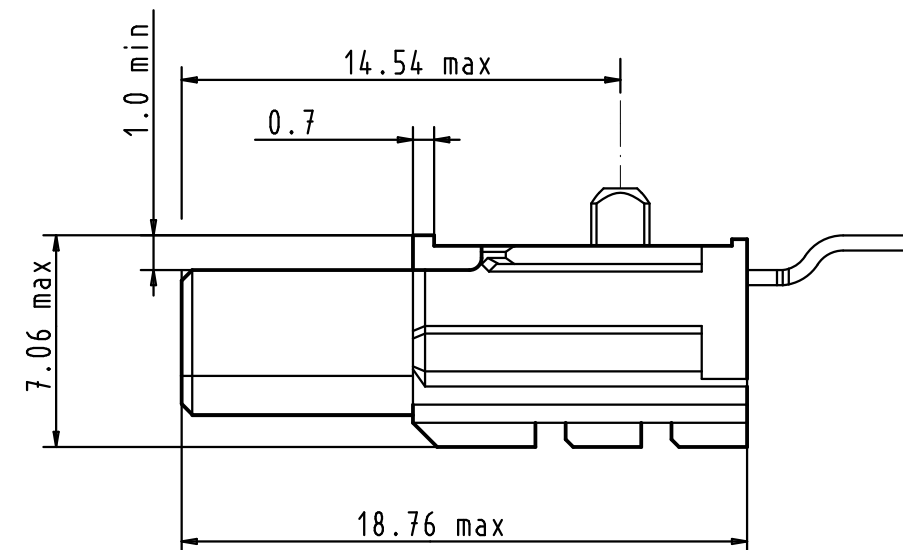
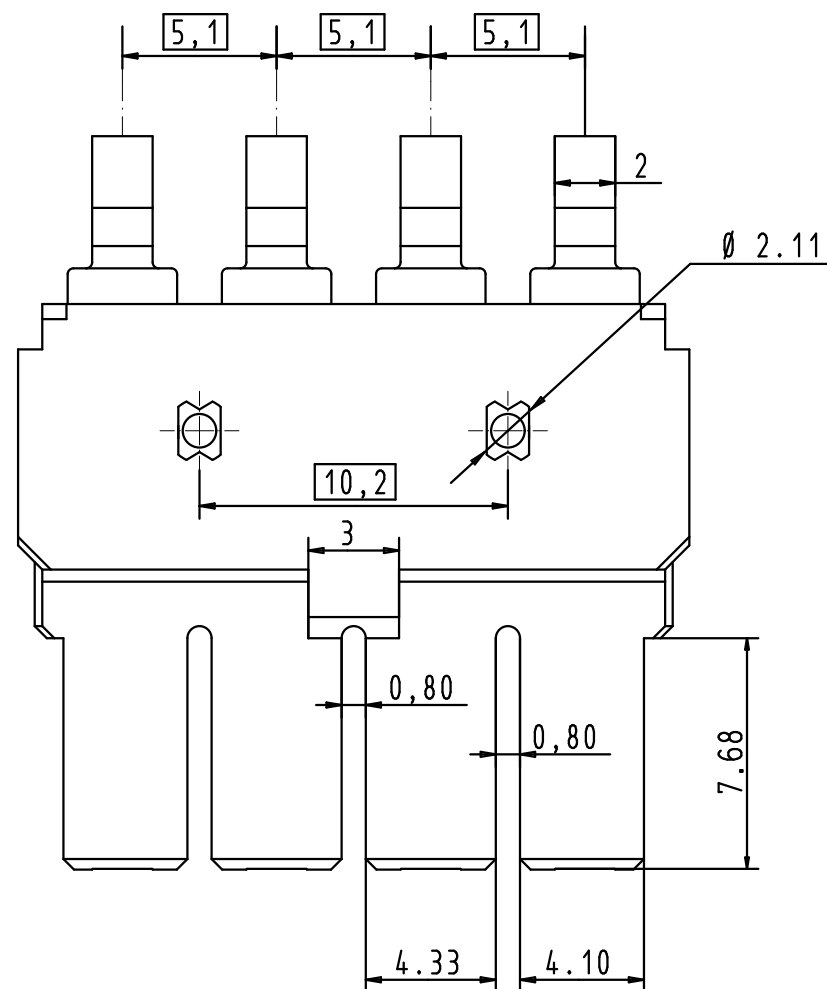
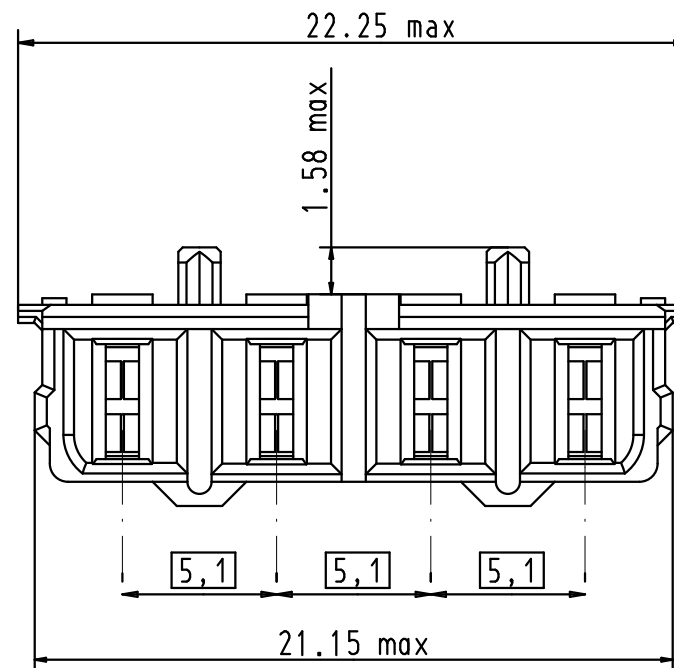
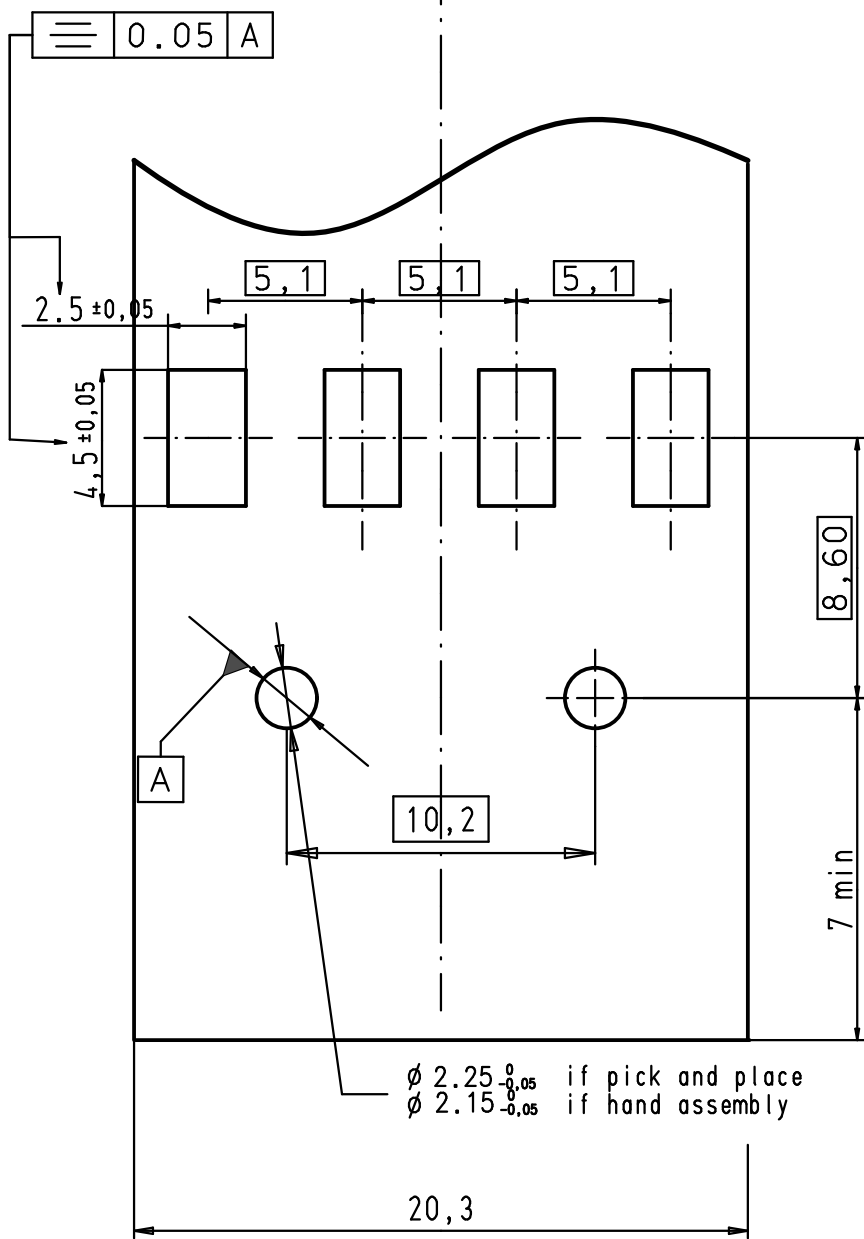
Tel: +86-755-8981 8866 Fax: +86-755-8427 6832

Email & Skype: info@chipsmall.com Web: www.chipsmall.com

Address: A1208, Overseas Decoration Building, #122 Zhenhua RD., Futian, Shenzhen, China

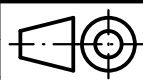



recommended  
PCB power layout (SMD)  
scale 4:1



- 1) high temperature plastic material ; UL94 V0
- 2) the SMD power module is lead free reflow process compatible
- 3) 4 x power contacts carry 4 x 16 Amps at 20 'C

part	plating	performance level
power contact	Ag over Ni	1
SMT tines	Sn Pb over Ni	

			Det.	Name	 All Dim. in mm Orig. Size DIN A 4	RJ industrial	Maßstab/ Scale	
			Detail.	19/09/03		S.H.	SMD power jack module	4/1
			Insp.	22/02/12		JMV		
			Stand.					
36289	22/02/12	SD	HARTING ELEKTRONIK			 TB 09 45 525 0040	Blatt/ Page	
31543	19/09/03	S.H.	F-95972 Paris					
Mod.	Det.	Name	Sub.					

Alle Rechte vorbehalten/ All rights reserved