



Chipsmall Limited consists of a professional team with an average of over 10 year of expertise in the distribution of electronic components. Based in Hongkong, we have already established firm and mutual-benefit business relationships with customers from,Europe,America and south Asia,supplying obsolete and hard-to-find components to meet their specific needs.

With the principle of "Quality Parts,Customers Priority,Honest Operation,and Considerate Service",our business mainly focus on the distribution of electronic components. Line cards we deal with include Microchip,ALPS,ROHM,Xilinx,Pulse,ON,Everlight and Freescale. Main products comprise IC,Modules,Potentiometer,IC Socket,Relay,Connector.Our parts cover such applications as commercial,industrial, and automotives areas.

We are looking forward to setting up business relationship with you and hope to provide you with the best service and solution. Let us make a better world for our industry!



Contact us

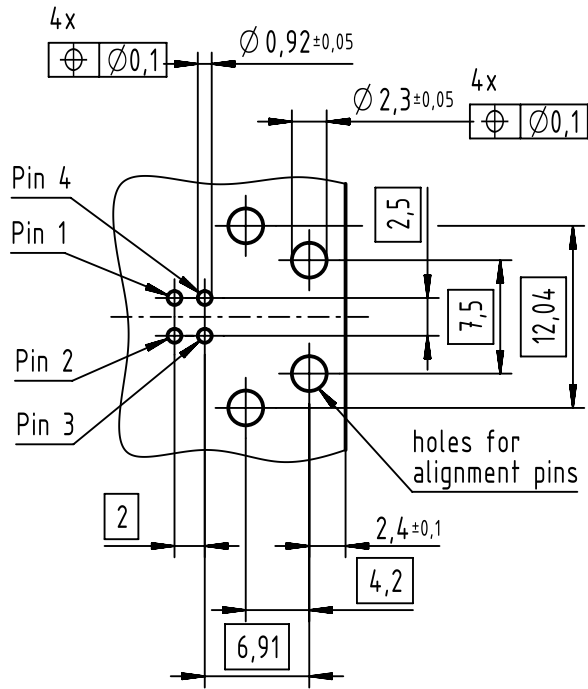
Tel: +86-755-8981 8866 Fax: +86-755-8427 6832

Email & Skype: info@chipsmall.com Web: www.chipsmall.com

Address: A1208, Overseas Decoration Building, #122 Zhenhua RD., Futian, Shenzhen, China



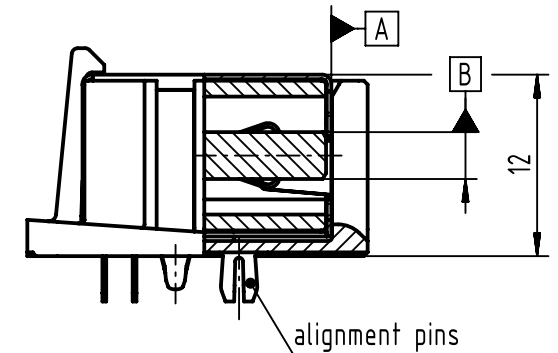
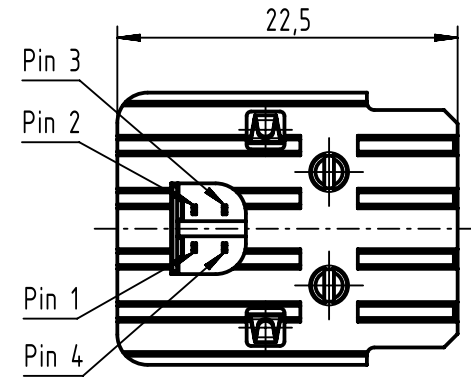
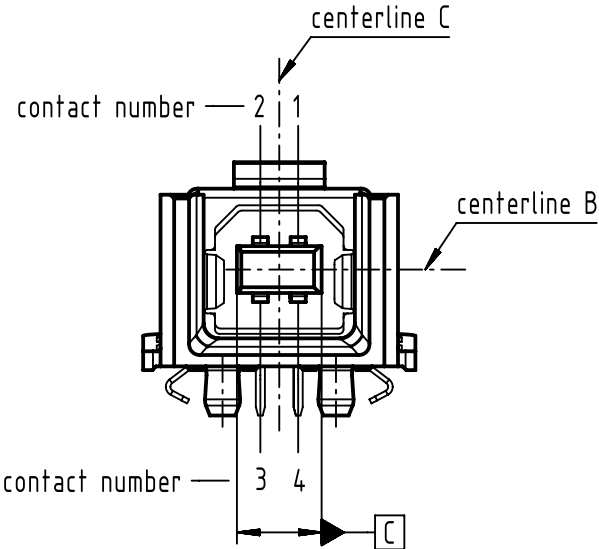
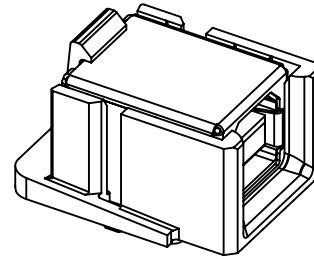
PCB-layout (top side)



loading-plan

V Bus	1	1
D-	2	2
D+	3	3
GND	4	4
Shield	Shell	Shell

references A, B and C
acc. to USB specification 2.0
www.usb.org



dimension of the panel feed through and further information see: DS 09456230201

	All Dimensions in mm Original Size DIN A4	Scale	Free size tol.		Ref.	
		2:1			Sub. TB 09 45 541 1900 Mod: 36124 02.05.2011	
All rights reserved Department EC PD - DE	HARTING Electronics GmbH D-32339 Espelkamp	Created by	Inspected by	Standardisation	Date	State
		HASSE	LUETTERMANND	HOFFMANN	2013-06-28	Final Release
Title HPP V4 USB2.0 type B, solder jack, angled 90°, THT					Doc-Key / ECM-Nr. 100194896/UGD/002/A 500000063753	
		Type	Number		Rev.	Page
		TB	09455411900		A	1/1