



Chipsmall Limited consists of a professional team with an average of over 10 year of expertise in the distribution of electronic components. Based in Hongkong, we have already established firm and mutual-benefit business relationships with customers from,Europe,America and south Asia,supplying obsolete and hard-to-find components to meet their specific needs.

With the principle of “Quality Parts,Customers Priority,Honest Operation,and Considerate Service”,our business mainly focus on the distribution of electronic components. Line cards we deal with include Microchip,ALPS,ROHM,Xilinx,Pulse,ON,Everlight and Freescale. Main products comprise IC,Modules,Potentiometer,IC Socket,Relay,Connector.Our parts cover such applications as commercial,industrial, and automotives areas.

We are looking forward to setting up business relationship with you and hope to provide you with the best service and solution. Let us make a better world for our industry!



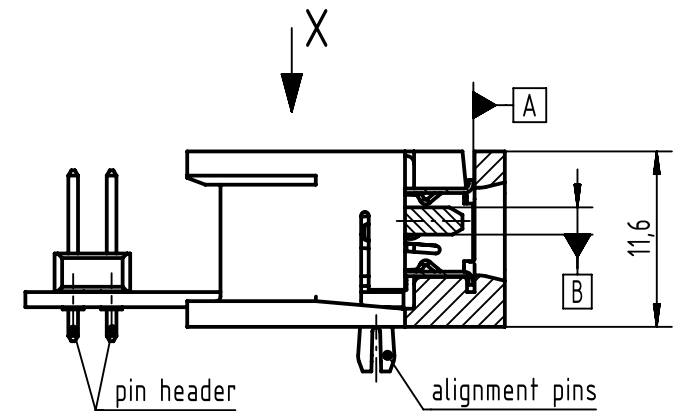
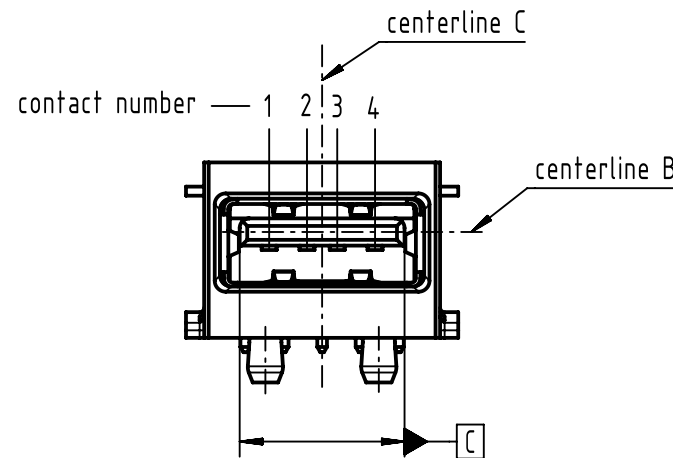
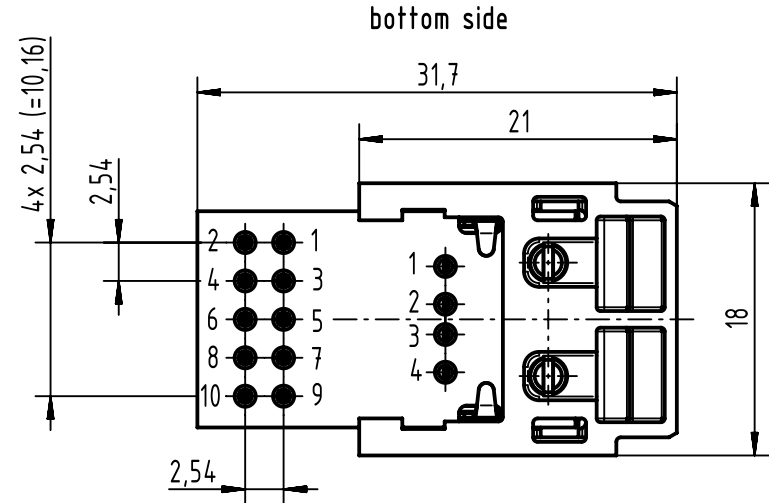
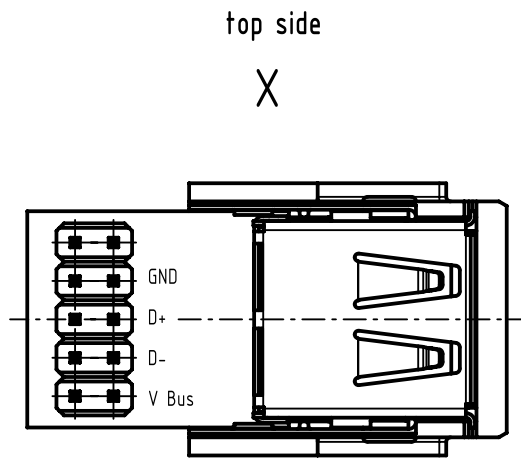
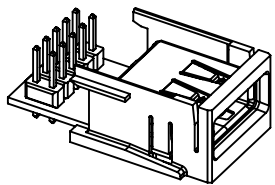
Contact us

Tel: +86-755-8981 8866 Fax: +86-755-8427 6832

Email & Skype: info@chipsmall.com Web: www.chipsmall.com

Address: A1208, Overseas Decoration Building, #122 Zhenhua RD., Futian, Shenzhen, China





loading-plan

USB spec.		pin header
V Bus	1	1
D-	2	3
D+	3	5
GND	4	7
Shield	Shell	

references A, B and C
acc. to USB specification 2.0
www.usb.org

dimensions of the panel feed through and further information see: DS 09456230201

	All rights reserved Department EC PD - DE	All Dimensions in mm Original Size DIN A4		Scale 2:1	Free size tol.	Ref. Sub. TB 09 45 541 1902 Mod: 36124 14.02.212	
		Created by HASSE	Inspected by LUETTERMANND	Standardisation HOFFMANN	Date 2013-06-28	State Final Release	
HARTING Electronics GmbH D-32339 Espelkamp		Title HPP V4 Adapter PCB USB 2.0 type A, jack to pin header				Doc-Key / ECM-Nr. 100215721/UGD/006/A 500000063753	
		Type TB	Number 09455411902		Rev. A	Page 1/1	