



Chipsmall Limited consists of a professional team with an average of over 10 year of expertise in the distribution of electronic components. Based in Hongkong, we have already established firm and mutual-benefit business relationships with customers from,Europe,America and south Asia,supplying obsolete and hard-to-find components to meet their specific needs.

With the principle of “Quality Parts,Customers Priority,Honest Operation,and Considerate Service”,our business mainly focus on the distribution of electronic components. Line cards we deal with include Microchip,ALPS,ROHM,Xilinx,Pulse,ON,Everlight and Freescale. Main products comprise IC,Modules,Potentiometer,IC Socket,Relay,Connector.Our parts cover such applications as commercial,industrial, and automotives areas.

We are looking forward to setting up business relationship with you and hope to provide you with the best service and solution. Let us make a better world for our industry!



Contact us

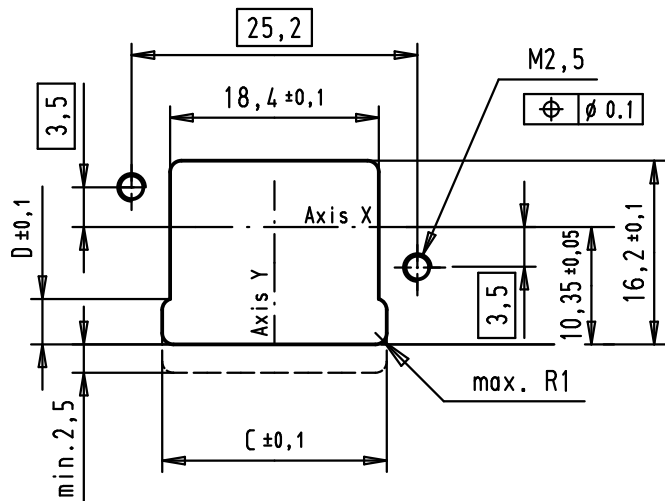
Tel: +86-755-8981 8866 Fax: +86-755-8427 6832

Email & Skype: info@chipsmall.com Web: www.chipsmall.com

Address: A1208, Overseas Decoration Building, #122 Zhenhua RD., Futian, Shenzhen, China

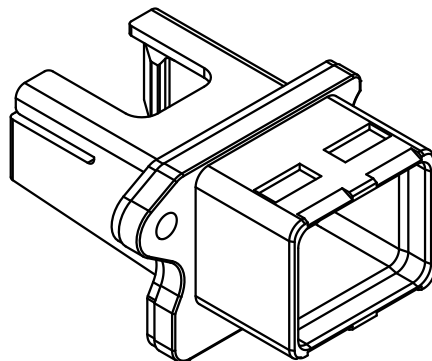
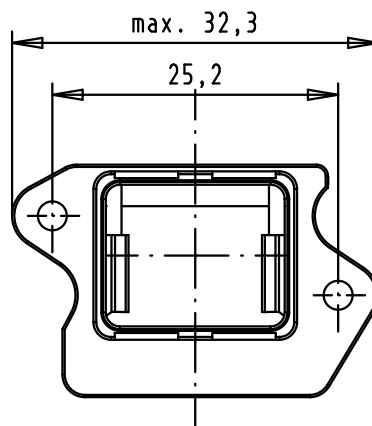
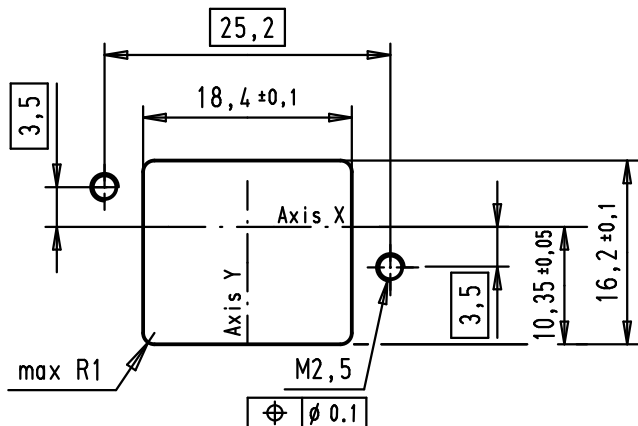


Panel cutting I



C = 19,8 and D = 4,0 for solder pin data layout
 C = 21,0 and D = 4,1 for SMD data layout

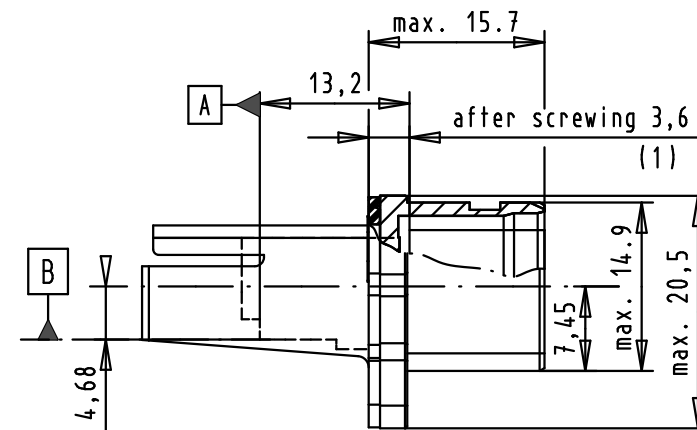
Panel cutting II



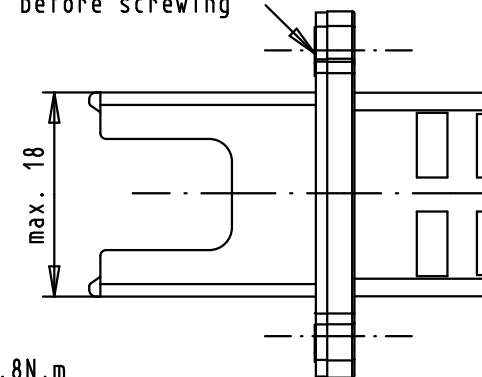
Connector pitch on panel:
 Axis X = 27 mm and Axis Y = 21 mm
 Receptacle mating side according to
 600076-3-106 IEC - variant 04

Mating references A and B
 according to IEC 60603-7

(1) Screwing x2 M2.5 screws between 0.5N.m and 0.8N.m
 screw according to DIN 912 and ISO 4762

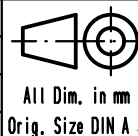


1 mm tickness flat seal
 before screwing



Interface	Panel Cutting
RJ 45 jack 0945 551 1100	I
RJ 45 jack 0945 551 1101	I
RJ 45 jack 0945 551 1102	I
Push Pull Power	II

Mod.	Dot.	Name	Dot.	Name
36306	08/12/10	AB		
EC02645	08/12/10	AB	Detail.	12/jan/05 JFB
EC01204	12/01/10	AB	Insp.	
35413	17/11/08	AB	Stand.	
35092	17/07/08	AB	HARTING EURL F-95972 Paris	
33793	28/07/06	PK		
Mod.	Dot.	Name		



All Dim. in mm
 Orig. Size DIN A 4

Push pull RJ Industrial
 Thermoplastic IP67 Receptacle
 And flat Seal

Maßstab/
 Scale
 1,5:1

TB 09 45 545 00 21

Blatt/ Page
 1/1

Sub.